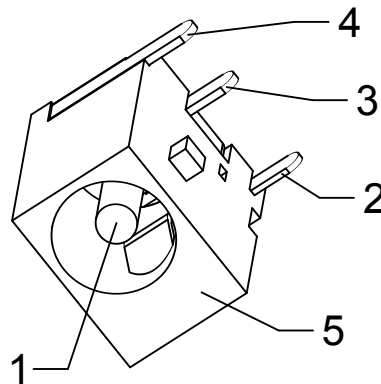
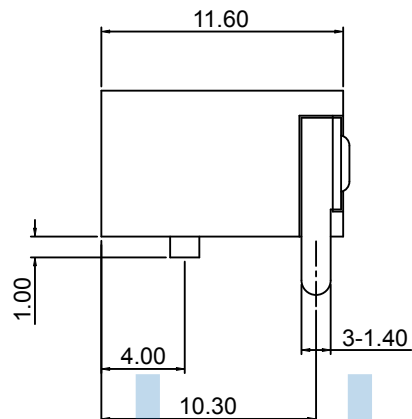
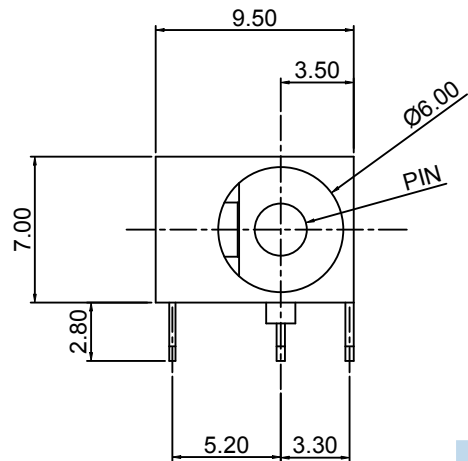


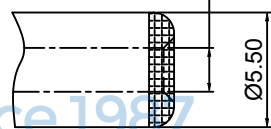
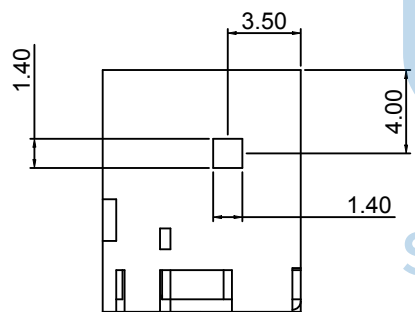
REV.	ECN NO	CONTENT	DATE	ENGINEER
A0		Initial release	/	TSP



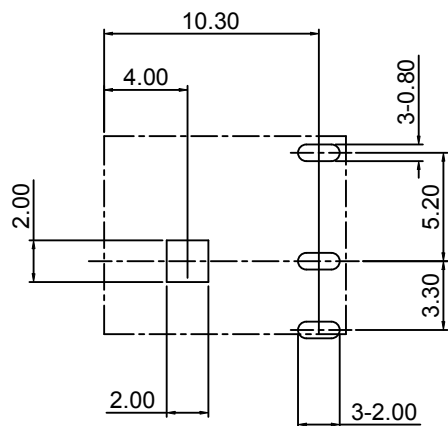
规格:

1. 额定值: DC30V 0.5A
2. 接触电阻: $\leq 30m\Omega$
3. 绝缘电阻: $\geq 100M\Omega$
4. 耐电压: 500VAC
5. 插拔力: 3N~30N
6. 使用寿命: 5000次
7. 使用温度: $-20^{\circ}C \sim +80^{\circ}C$

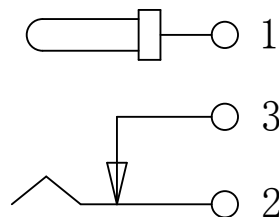
PIN
Ø2.0
Ø2.5



推荐插头尺寸



P. C. B 设计参考尺寸



电路示意图



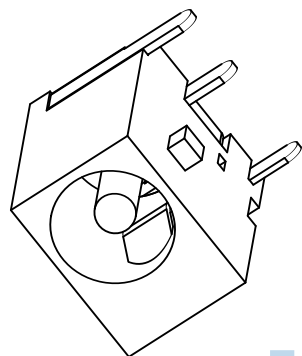
序号	名称	材料	数量	颜色/电镀
5	主体	PBT	1	黑色
4	平片	黄铜 T=0.3mm	1	镀铜锡
3	弯片	黄铜 T=0.4mm	1	镀铜锡
2	弹片	锰钢 T=0.3mm	1	镀铜锡
1	PIN针	黄铜	1	镀铜锡

THIS DOCUMENT IS THE SOLE PROPERTY OF BBJconn Technology Co., Ltd. Corporation AND SHOULD NOT BE USED IN WHOLE OR IN PART WITHOUT PRIOR WRITTEN PERMISSION.
PDWG.NO: 0050-2

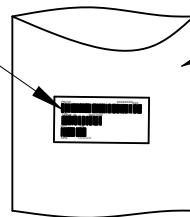
深圳市步步精科技有限公司

.X: ± 0.38	.X': $\pm 3'$	NAME: DC插座 DC-044 2.5针 半铜 三脚插 带柱
.XX: ± 0.25	.X'': $\pm 2''$	PJ. NO.: DC.02.71-11-1001
.XXX: ± 0.13	.XX': $\pm 1'$	SIZE: A4 DRW NO.:
APPD. JM_Zheng	FINISH: SEE NOTES	MAT'L.: SEE NOTES
CHKD. LYX	SCALE: N/A	REV.: A0
DR. TSP	UNIT: mm	PAGE: 1/2

REV.	ECN NO	CONTENT	DATE	ENGINEER
A0		Initial release	/	TSP



物料标签



PE袋

1袋=500PCS

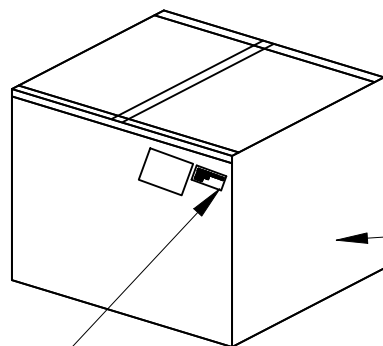
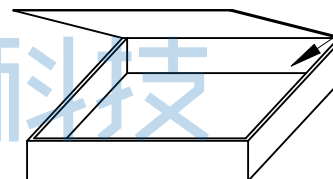


bbJconn
Since 1987 步步精科技

内盒

规格: 180*162*68

1盒=2袋=1000PCS



外箱

规格: 380*350*360

1箱=20盒=20000PCS

物料标签

500	2	20	20000	—KG	—KG
PCS/袋	袋/盒	盒/箱	PCS/箱	毛重	净重

THIS DOCUMENT IS THE SOLE PROPERTY OF BBJconn Technology Co.,Ltd. Corporation AND SHOULD NOT BE USED IN WHOLE OR IN PART WITHOUT PRIOR WRITTEN PERMISSION.		深圳市步步精科技有限公司 .X: ±0.38 .X': ±3" .XX: ±0.25 .X'': ±2" .XXX: ±0.13 .X''': ±1"		NAME: DC插座 DC-044 2.5针 半铜 三脚插 带柱 PJ. NO.: DC.02.71-11-1001 SIZE: A4 DRW NO.: FINISH: SEE NOTES MAT'L.: SEE NOTES SCALE: N/A REV.: A0 UNIT: mm PAGE: 2/2	
APPD.	JM_Zheng	CHKD.	LYX	DR.	TSP
PDWG.NO:	0050-2				