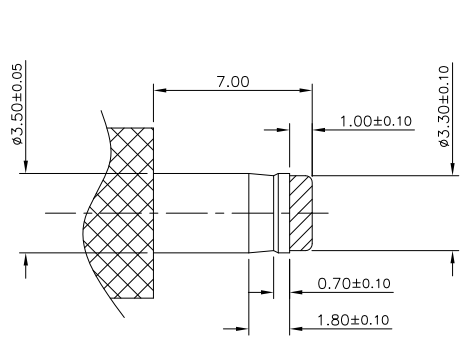
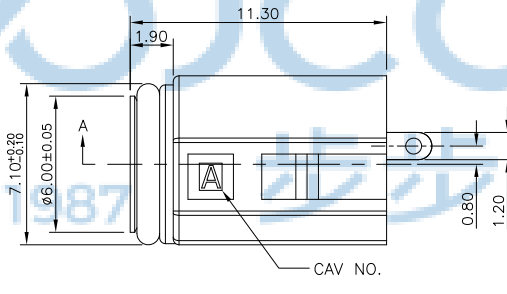
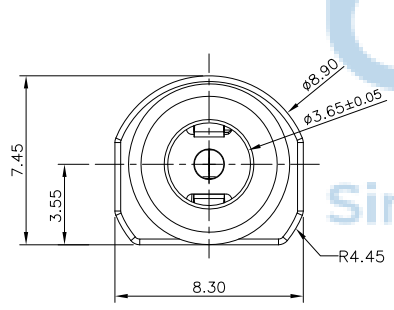
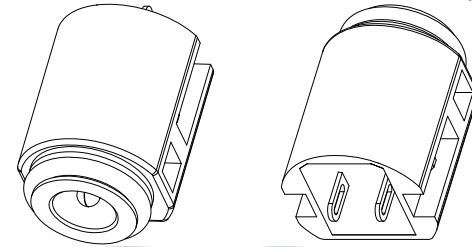
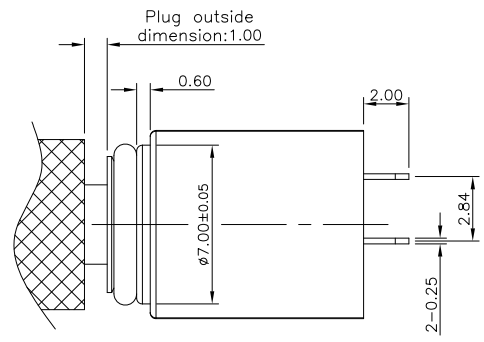


REV.	ECN NO.	CONTENT	DATE	ENGINEER
A0		Initial release	/	LYL

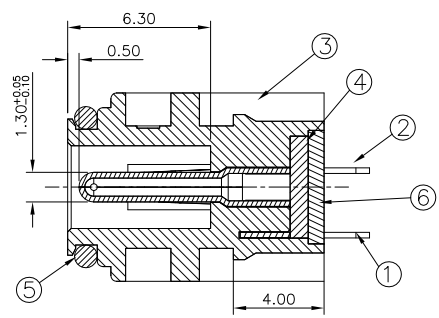
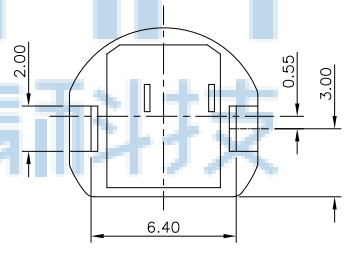
- NOTES:
- CONTACT CURRENT RATING: 1.5A;
 - CONTACT RESISTANCE: 60 mΩ MAX.;
 - INSULATION RESISTANCE: 100MΩ MIN.;
 - DIELECTRIC WITHSTANDING: 500V AC MIN.;
 - DURABILITY: 5,000 CYCLES MIN.;
 - INSERTION FORCE: 0.3~3.0kgf (3~30N);
 - EXTRACTION FORCE: 0.3~3.0kgf (3~30N);
 - WATERPROOF STRENGTH: IP-X7.
 - PRODUCT MEET THE REQUEST OF THE RoHS.



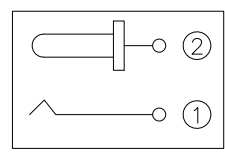
($\phi 3.50$ mm DC PLUG DETAIL DRAWING)



3D VIEW



SECTION A-A



SCHEMATIC

06	GLUEWATER		环氧树脂	BLACK
05	O型圈	1 PCS	硅胶	RED UL 94V-0
04	COVER	1 PCS	PA66+30%GF	BLACK UL 94V-0
03	HOUSING	1 PCS	PA66+30%GF	BLACK UL 94V-0
02	PIN	1 PCS	BRASS T=0.25mm	Gold Flash
01	CONTACT A	1 PCS	STAINLESS STEEL T=0.25mm	Gold Flash
ITEM	PART NAME	Q'TY	MATERIAL	DESCRIPTION

THIS DOCUMENT IS THE SOLE PROPERTY OF BBJconn Technology Co.,Ltd. Corporation AND SHOULD NOT BE USED IN WHOLE OR IN PART WITHOUT PRIOR WRITTEN PERMISSION.

PDWG.NO: 0386-2

深圳市步步精科技有限公司

NAME: DC插座 3.5针 两脚插 防水 盒装

APPD. JM_Zheng

CHKD. LYX

DR. LYL

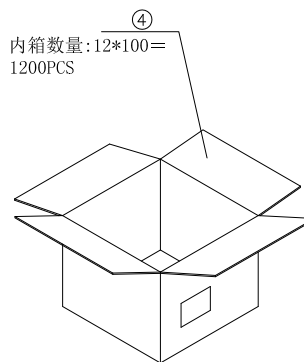
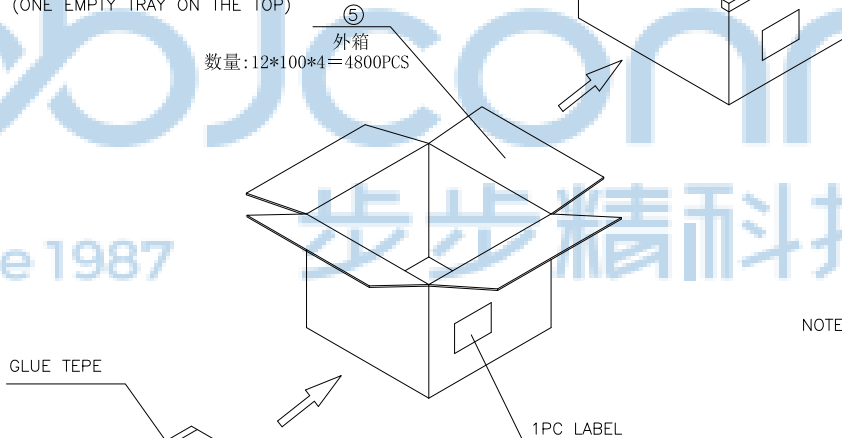
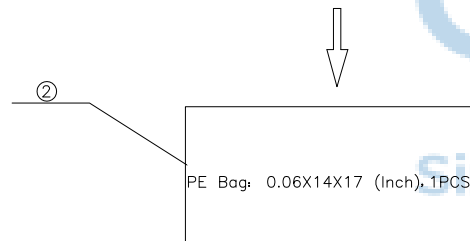
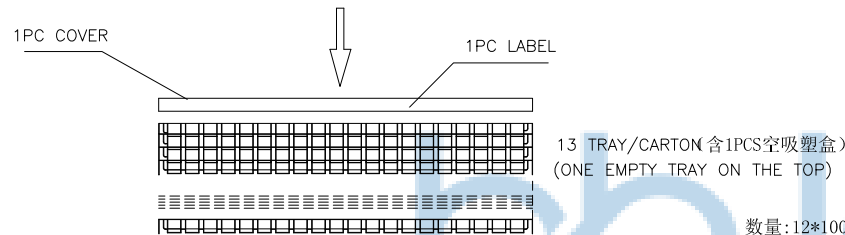
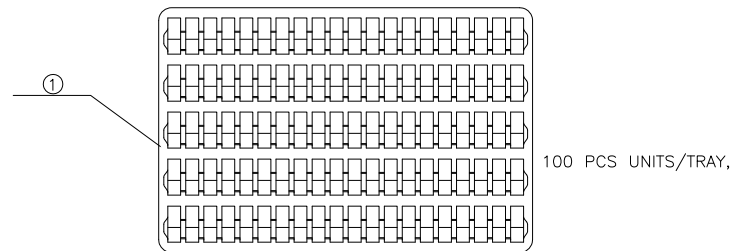
PJ. NO.: 116-309-020002-P1G

SIZE: A4 DRW NO.:

FINISH: SEE NOTES MAT'L.: SEE NOTES

SCALE: N/A REV.: A0 UNIT: mm PAGE: 1/2

REV.	ECN NO.	CONTENT	DATE	ENGINEER
A0		Initial release	/	LYL



NOTES:

1. PRIMARY PACKING: 1200PCS/内箱, 4800PCS/外箱.
2. SECONDARY PACKING: 13 TRAY/内箱, 52 TRAY/外箱.
(ONE EMPTY TRAY ON THE TOP)

NO.	NAME	SPEC.	Q'TY
①	TRAY	29.0X19.0X1CM	52PCS
②	PE BAG	0.06X14"X17"	4PCS
③	LABEL	75mm*53mm	5PCS
④	CARTON内箱	315X205X115mm	4PCS
⑤	CARTON外箱	445X335X375mm	1PCS

THIS DOCUMENT IS THE SOLE PROPERTY OF BBJconn Technology Co.,Ltd. Corporation AND SHOULD NOT BE USED IN WHOLE OR IN PART WITHOUT PRIOR WRITTEN PERMISSION.
PDWG.NO: 0386-2

深圳市步步精科技有限公司

NAME: DC插座 3.5针 两脚插 防水 盒装	
APPD. JM_Zheng	PJ. NO.: 116-309-020002-P1G
CHKD. LYX	SIZE: A4 DRW NO.:
DR. LYL	FINISH: SEE NOTES MAT'L.: SEE NOTES
	SCALE: N/A REV.: A0 UNIT: mm PAGE: 2/2