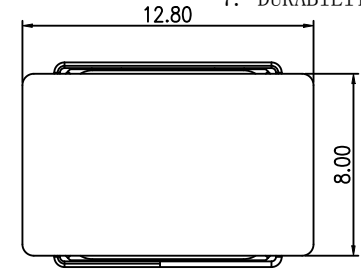
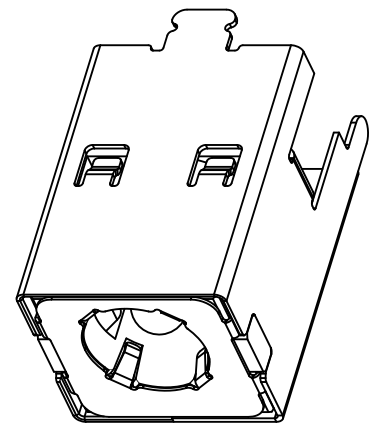
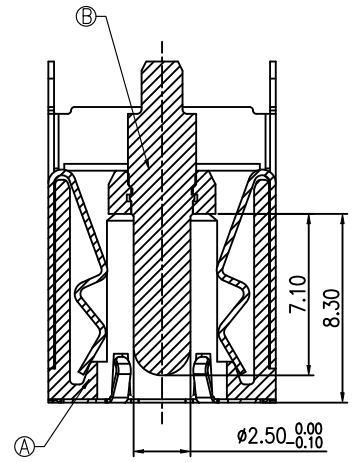
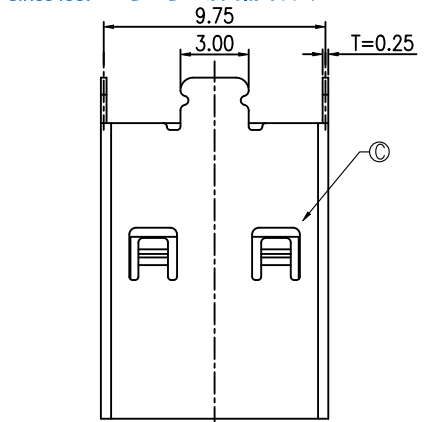


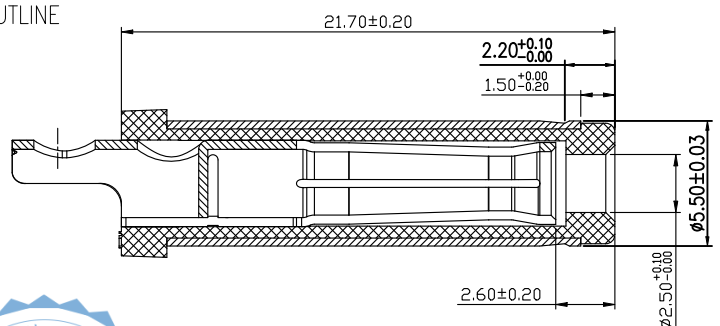
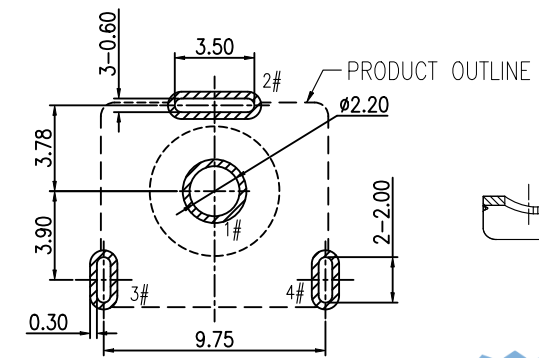
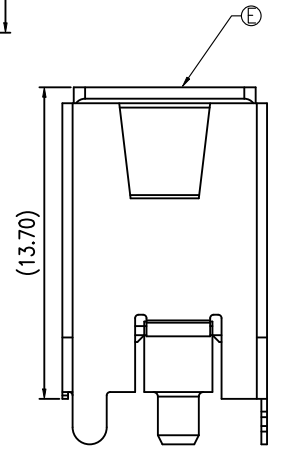
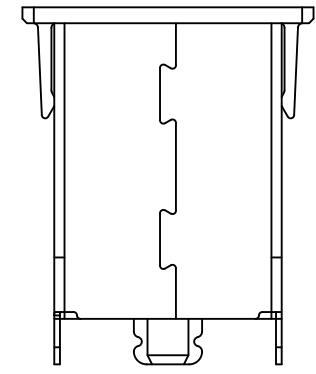
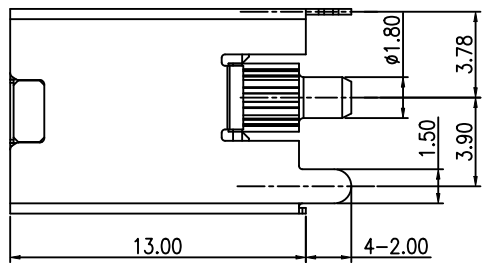
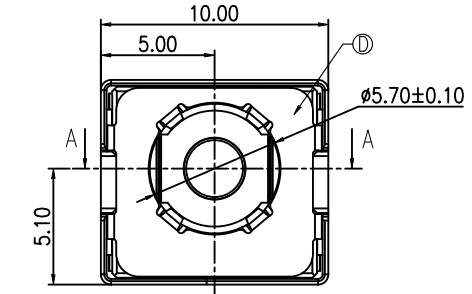
REV.	ECN NO	CONTENT	DATE	ENGINEER
A0		Initial release	/	TSP

SPECIFICATION:

1. RATING: DC 20V 20A
2. CONTACT RESISTANCE:
30mΩ MAX. (INITIAL)
50mΩ MAX. (FINAL)
3. INSULATION RESISTANCE: 100 MΩ MIN.
4. WITHSTAND VOLTAGE: 500 VAC
5. INSERTION FORCE: 3N~30N
6. EXTRACTION FORCE: 3N~30N
7. DURABILITY: 5,000 CYCLES



WITH CAP



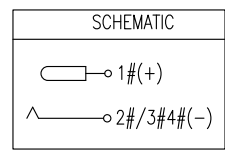
E	CAP	PA 10T	BLACK	
D	GROUND	SUS 304		1
C	SHELL	C5210	Ni 40u"MIN.	1
B	CENTER PIN	H59	GOLD FLASH/Ni 40u" MIN.	1
A	HOUSING	PA 10T	BLACK	1
No.	DESCRIPTION	MATERIAL	REMARKS	QTY

THIS DOCUMENT IS THE SOLE PROPERTY OF **深圳市步步精科技有限公司** BBJconn Technology Co.,Ltd. Corporation AND SHOULD NOT BE USED IN WHOLE OR IN PART WITHOUT PRIOR WRITTEN PERMISSION.

PDWG.NO: 0386-2

APPD. JM_Zheng
CHKD. LYX
DR. TSP

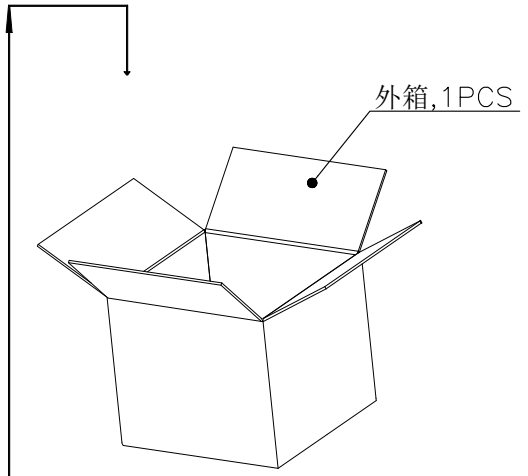
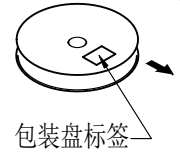
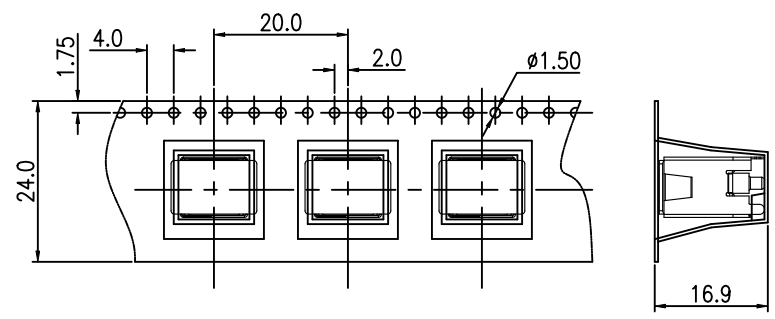
NAME: DC插座 2.5针 180度 H=13.0 全铜 三脚插 编带
PJ. NO.: 116-309-030003-P1G
SIZE: A4 DRW NO.:
FINISH: SEE NOTES MAT'L.: SEE NOTES
SCALE: N/A REV.: A0 UNIT: mm PAGE: 1/2



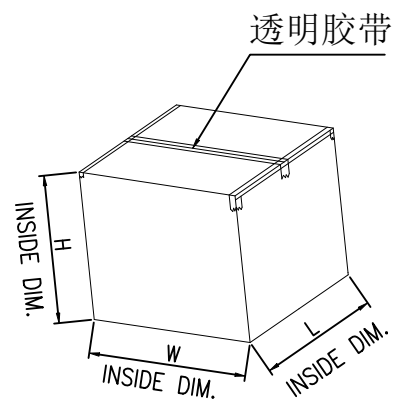
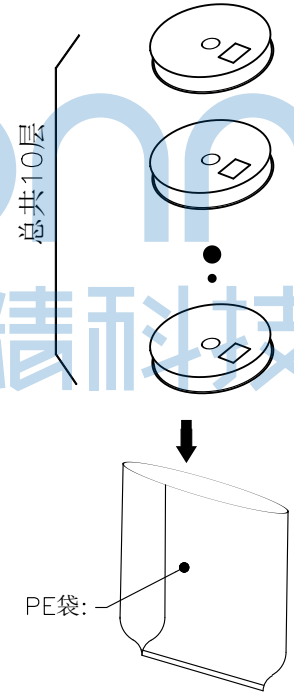
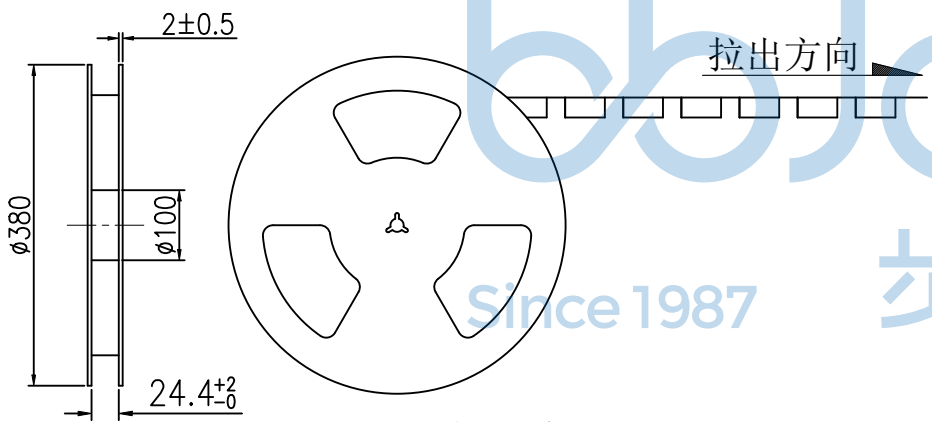
REV.	ECN NO	CONTENT	DATE	ENGINEER
A0		Initial release	/	TSP



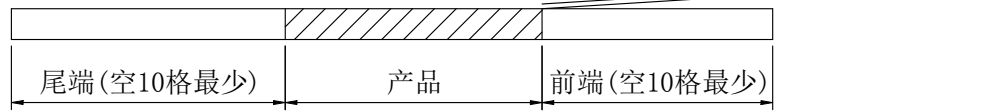
拉出方向



拉出方向



拉出方向



备注:

- 材料规格:
 - 载带:T=0.50mm
 - 包装盘:蓝色
 - 纸箱: L=385,W=385,H=380
- 包装数量: 250PCS/卷, 10卷(2500PCS)/箱
- 上盖带拔离力: 0.1N~0.7N(10~70gf);
拔离角度: 165°~180°;
拔离速度: 300mm/分钟.



THIS DOCUMENT IS THE SOLE PROPERTY OF BBJconn Technology Co.,Ltd. Corporation AND SHOULD NOT BE USED IN WHOLE OR IN PART WITHOUT PRIOR WRITTEN PERMISSION.		深圳市步步精科技有限公司 .X: ±0.38 .X': ±3' .XX: ±0.25 .X': ±2' .XXX: ±0.13 .XX': ±1'		NAME: DC插座 2.5针 180度 H=13.0 全铜 三脚插 编带	
APPD.	JM_Zheng	PJ. NO.:116-309-030003-P1G		SIZE: A4 DRW NO.:	
CHKD.	LYX	FINISH: SEE NOTES		MAT'L.: SEE NOTES	
PDWG.NO:	0386-2	DR.	TSP	SCALE: N/A	REV.: A0 UNIT: mm PAGE: 2/2