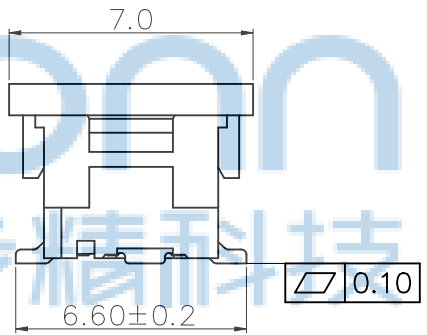
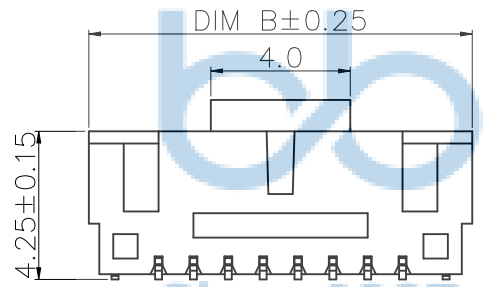
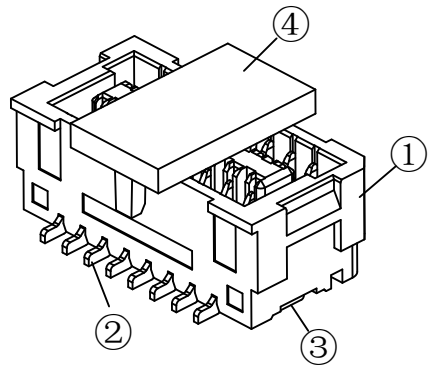
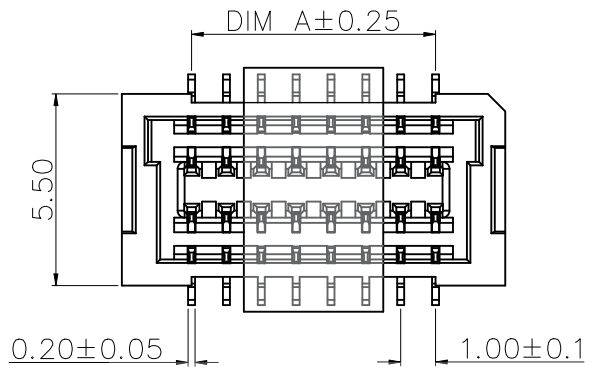
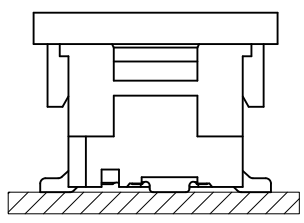
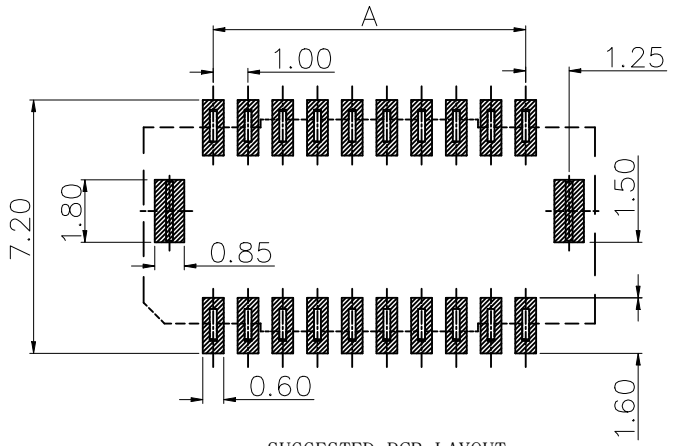


REV.	ECN NO.	CONTENT	DATE	ENGINEER
A0		Initial release	/	SGF

- 技术指标:
- 1、温度范围: -25° C~85° C;
  - 2、额定电压: 50V, AC, DC;
  - 3、额定电流: 1A;
  - 4、接触电阻: ≤0.02 Ω;
  - 5、绝缘电阻: ≥100M Ω;
  - 6、耐压: 500V, AC/ minute.



Poles	DIM. A	DIM. B
2*3A	2.00	6.00
2*4A	3.00	7.00
2*5A	4.00	8.00
2*6A	5.00	9.00
2*7A	6.00	10.00
2*8A	7.00	11.00
2*9A	8.00	12.00
2*10A	9.00	13.00
2*11A	10.00	14.00
2*12A	11.00	15.00
2*13A	12.00	16.00
2*14A	13.00	17.00
2*15A	14.00	18.00
2*16A	15.00	19.00



Assembly Layout



4	吸附盖CAP	PA9T (UL94V-0)	1	本色
3	焊片Fitting Nail	磷铜Phosphor Braonze	2	电镀锡Tin-Plated
2	端子Contact	磷铜Phosphor Braonze	Nx2	电镀Au/锡Tin-Plated
1	基座Wafer	PA9T (UL94V-0)	1	本色
序号	名称	材料	数量	附注

THIS DOCUMENT IS THE SOLE PROPERTY OF BBJconn Technology Co.,Ltd. Corporation AND SHOULD NOT BE USED IN WHOLE OR IN PART WITHOUT PRIOR WRITTEN PERMISSION.  
PDWG.NO: 0940-1

**深圳市步步精科技有限公司**

NAME: 针座 SHLD 1.0-2x4P 双排 立贴 带扣 米黄色 编带

PJ. NO.: 123-244-080001-G9G

SIZE: A4 DRW NO.:

FINISH: SEE NOTES MAT'L: SEE NOTES

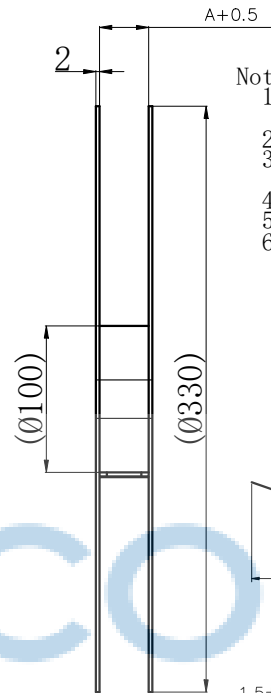
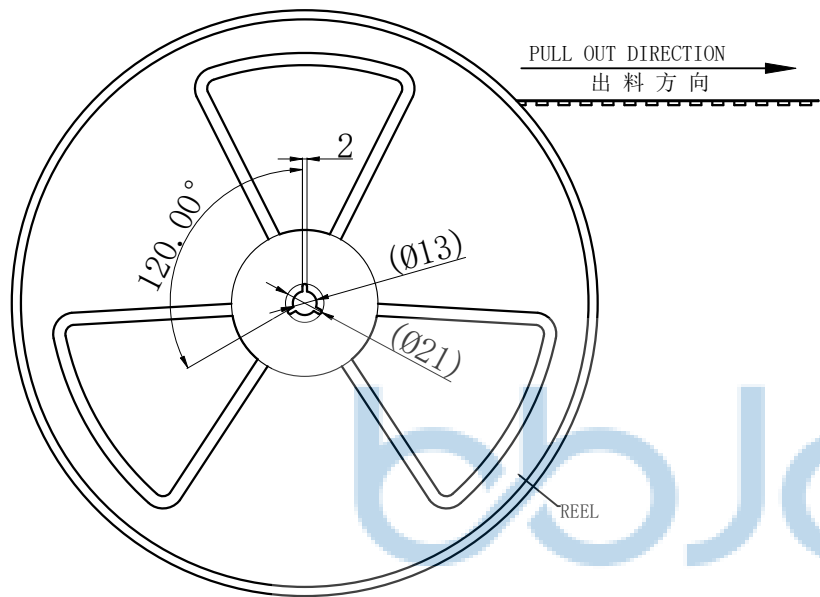
SCALE: N/A REV.: A0 UNIT: mm PAGE: 1/2

APPD. JM\_Zheng

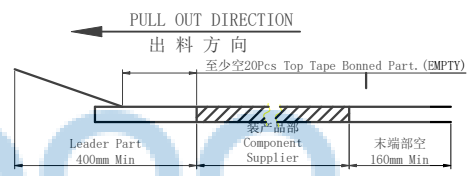
CHKD. LYX

DR. SGF

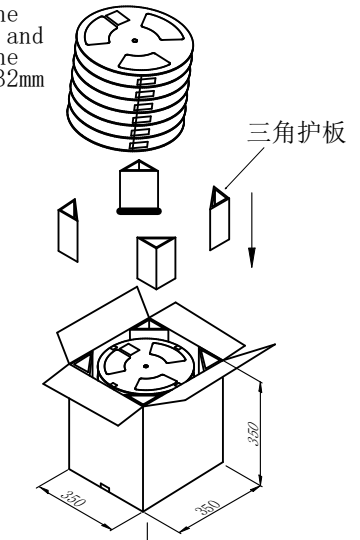
REV.	ECN NO.	CONTENT	DATE	ENGINEER
A0		Initial release	/	SGF



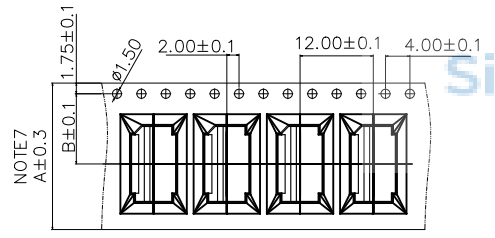
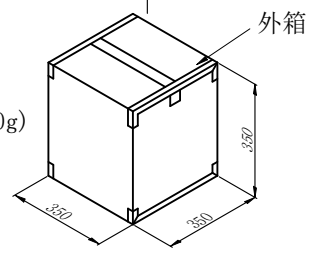
- Note:
- Sprocket holes pitch cumulative tolerance  $\pm 0.1$ . (Accumulative Pitch  $\pm 0.2$ )
  - Carrier camber is within 1mm in 100mm.
  - All dimensions meet EIA-481-D requirements.
  - Material of top fape: PET, PE, PEF
  - Material of carrier fape: Poystyrene
  - For tape width (dimension A) 16mm and 24mm a pilot hole is provided on one side. For tape width (dimension A) 32mm pilot holes are provided on both sides.



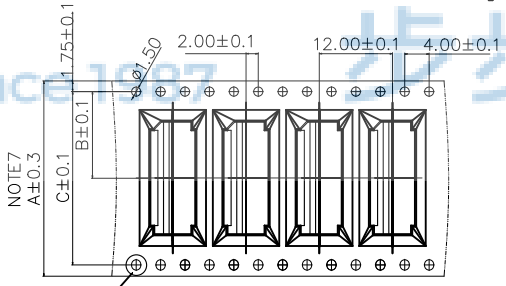
载带带头及带尾尺寸  
Lead tape length



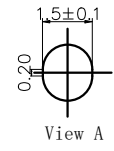
载带上下带剥离强度: 0.1N--1.3N (10g-130g)  
Peeling off force of top tape:  
View A 0.1N--1.3N (10g-130g)



宽度: 16mm/24mm 载带



宽度: 32mm/44mm 载带



芯数 Pin (n)	尺寸 Size		
	A	B	C
2*2-2*7	16.0	7.50	---

THIS DOCUMENT IS THE SOLE PROPERTY OF BBJconn Technology Co., Ltd. Corporation AND SHOULD NOT BE USED IN WHOLE OR IN PART WITHOUT PRIOR WRITTEN PERMISSION.  
PDWG.NO: 0940-1

**深圳市步步精科技有限公司**

.X: $\pm 0.38$	X': $\pm 3'$	NAME: 针座 SHLD 1.0-2x4P 双排 立贴 带扣 米黄色 编带
.XX: $\pm 0.25$	.X': $\pm 2'$	
.XXX: $\pm 0.13$	.XX': $\pm 1'$	
APPD. JM_Zheng	CHKD. LYX	PJ. NO.: 123-244-080001-G9G
DR. SGF	FINISH: SEE NOTES	MAT'L.: SEE NOTES
	SCALE: N/A	REV.: A0
	UNIT: mm	PAGE: 2/2

芯数	盘数	箱数
2*2-2*7	16盘	16000只