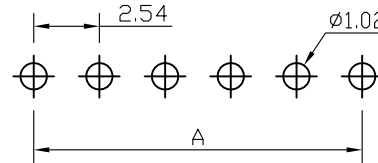
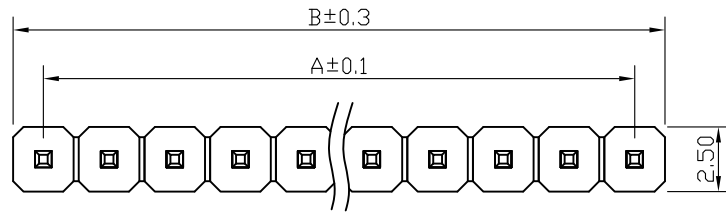


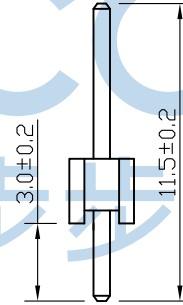
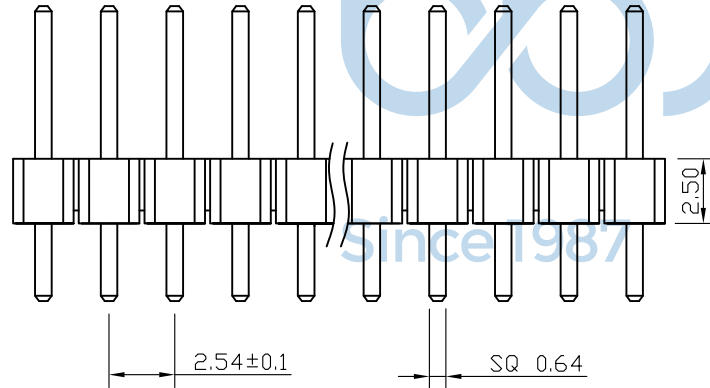
REV.	ECN NO	CONTENT	DATE	ENGINEER
A0		Initial Release	/	LHC

SPECIFICATIONS

Current Rating: 3Amps
 Insulation Resistance: 1000MΩ Min
 Contact Resistance: 20mΩ Max
 Withstanding Voltage: AC 1000V
 Operation Temperature: -40° to +105°
 Contact Material: Brass
 Standard: PA6T
 Insulator Material: Polyester (UL 94V-0)
 Contact Plating: Gold Flash
 Max. Processing Temp: 200° C for 30-60 seconds
 (220° C for 5 seconds)



RECOMMEND P. C. B LAYOUT
 PCB TOLERANCE: ±0.05 (TOP VIEW)



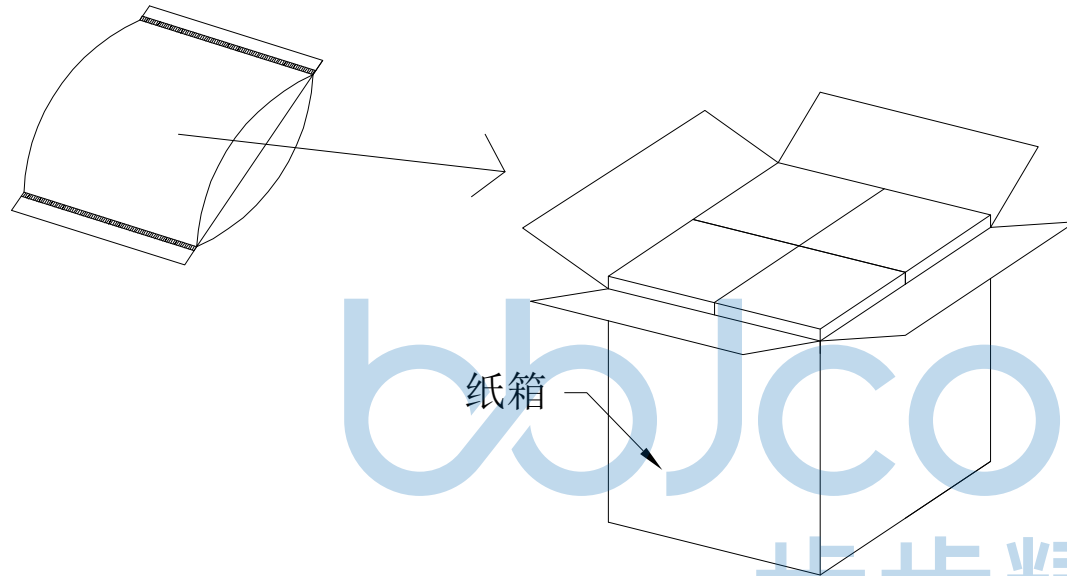
No. of	DIM. A	DIM. B	No. of	DIM. A	DIM. B	No. of	DIM. A	DIM. B	No. of	DIM. A	DIM. B
1	0.00	2.54	11	25.40	27.94	21	50.80	53.34	31	76.20	78.74
2	2.54	5.08	12	27.94	30.48	22	53.34	55.88	32	78.74	81.28
3	5.08	7.62	13	30.48	33.02	23	55.88	58.42	33	81.28	83.82
4	7.62	10.16	14	33.02	35.56	24	58.42	60.96	34	83.82	86.36
5	10.16	12.70	15	35.56	38.10	25	60.96	63.50	35	86.36	88.90
6	12.70	15.24	16	38.10	40.64	26	63.50	66.04	36	88.90	91.44
7	15.24	17.78	17	40.64	43.18	27	66.04	68.58	37	91.44	93.98
8	17.78	20.32	18	43.18	45.72	28	68.58	71.12	38	93.98	96.52
9	20.32	22.86	19	45.72	48.26	29	71.12	73.66	39	96.52	99.06
10	22.86	25.40	20	48.26	50.80	30	73.66	76.20	40	99.06	101.60



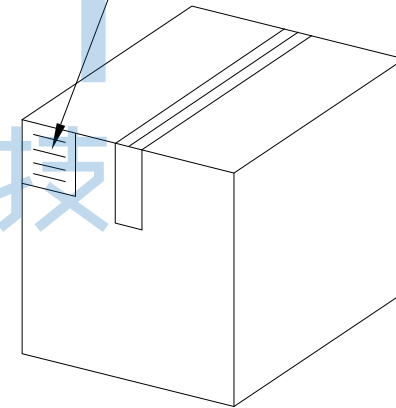
THIS DOCUMENT IS THE SOLE PROPERTY OF BBJconn Technology Co., Ltd. Corporation AND SHOULD NOT BE USED IN WHOLE OR IN PART WITHOUT PRIOR WRITTEN PERMISSION.		深圳市步步精科技有限公司	
APPD.	JM_Zheng	NAME: 排针 2.54PH H2.5 1x2P 180度 PC3.0 PA6.0 PB2.5 L11.5 6T	
CHKD.	LYX	PJ. NO.: PH.05.11-41-6015 SIZE: A4 DRW NO.:	
PDWG.NO:	0266-1	DR.	LHC
		FINISH:	SEE NOTES
		MAT'L.:	SEE NOTES
		SCALE:	N/A
		REV.:	A0
		UNIT:	mm
		PAGE:	1/2

REV.	ECN NO.	CONTENT	DATE	ENGINEER
A0		Initial Release	/	LHC

PE袋规格: 260*185



成品标签



1. 包装要求:
- 1.1 每PE袋包装2000pcs;
 - 1.2 每1袋放一小纸盒;
 - 1.3 每20个小纸盒放一个纸箱, 共计40000PCS
 - 1.4 纸箱外贴上标签



THIS DOCUMENT IS THE SOLE PROPERTY OF BBJconn Technology Co.,Ltd. Corporation AND SHOULD NOT BE USED IN WHOLE OR IN PART WITHOUT PRIOR WRITTEN PERMISSION.		深圳市步步精科技有限公司	
.X: ±0.38 X': ±3' .XX: ±0.25 X'': ±2' .XXX: ±0.13 XX': ±1'		NAME: 排针 2.54PH H2.5 1x2P 180度 PC3.0 PA6.0 PB2.5 L11.5 6T	
APPD.	JM_Zheng	PJ. NO.: PH.05.11-41-6015 SIZE: A4 DRW NO.:	FINISH: SEE NOTES MAT'L.: SEE NOTES SCALE: N/A REV.: A0 UNIT: mm PAGE: 2/2
CHKD.	LYX		
PDWG.NO:	0266-1	DR.	LHC