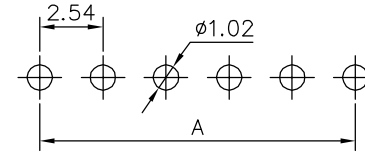
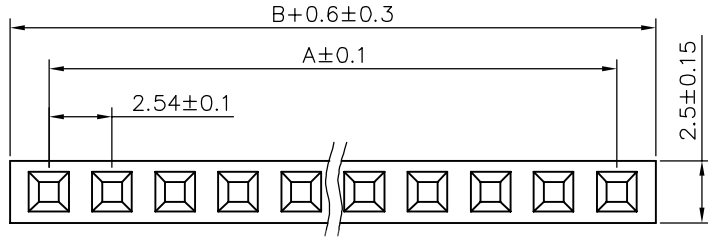
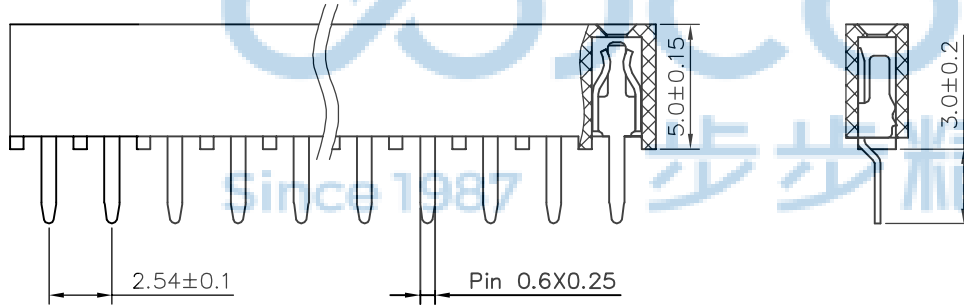


SPECIFICATIONS

Current Rating: 3Amps
 Insulation Resistance: 1000MΩ Min
 Contact Resistance: 20mΩ Max
 Withstanding Voltage: AC 1000V
 Operation Temperature: -40 ° to +105 °
 Contact Material: Brass
 Standard: PA6T
 Insulator Material: Polyester (UL 94V-0)
 Contact Plating: Gold Flash
 Max. Processing Temp: 200 ° C for 30-60 seconds
 (220 ° C for 5 seconds)



RECOMMEND P. C. B LAYOUT
 PCB TOLERANCE: ±0.05 (TOP VIEW)



| No. of | DIM. A | DIM. B | No. of | DIM. A | DIM. B | No. of | DIM. A | DIM. B | No. of | DIM. A | DIM. B |
|--------|--------|--------|--------|--------|--------|--------|--------|--------|--------|--------|--------|
| 1 | 0.00 | 2.54 | 11 | 25.40 | 27.94 | 21 | 50.80 | 53.34 | 31 | 76.20 | 78.74 |
| 2 | 2.54 | 5.08 | 12 | 27.94 | 30.48 | 22 | 53.34 | 55.88 | 32 | 78.74 | 81.28 |
| 3 | 5.08 | 7.62 | 13 | 30.48 | 33.02 | 23 | 55.88 | 58.42 | 33 | 81.28 | 83.82 |
| 4 | 7.62 | 10.16 | 14 | 33.02 | 35.56 | 24 | 58.42 | 60.96 | 34 | 83.82 | 86.36 |
| 5 | 10.16 | 12.70 | 15 | 35.56 | 38.10 | 25 | 60.96 | 63.50 | 35 | 86.36 | 88.90 |
| 6 | 12.70 | 15.24 | 16 | 38.10 | 40.64 | 26 | 63.50 | 66.04 | 36 | 88.90 | 91.44 |
| 7 | 15.24 | 17.78 | 17 | 40.64 | 43.18 | 27 | 66.04 | 68.58 | 37 | 91.44 | 93.98 |
| 8 | 17.78 | 20.32 | 18 | 43.18 | 45.72 | 28 | 68.58 | 71.12 | 38 | 93.98 | 96.52 |
| 9 | 20.32 | 22.86 | 19 | 45.72 | 48.26 | 29 | 71.12 | 73.66 | 39 | 96.52 | 99.06 |
| 10 | 22.86 | 25.40 | 20 | 48.26 | 50.80 | 30 | 73.66 | 76.20 | 40 | 99.06 | 101.60 |



| | | | |
|---|----------|---|--|
| THIS DOCUMENT IS THE SOLE PROPERTY OF BBJconn Technology Co., Ltd. Corporation AND SHOULD NOT BE USED IN WHOLE OR IN PART WITHOUT PRIOR WRITTEN PERMISSION. | | 深圳市步步精科技有限公司 .X: ±0.38 X': ±3" NAME: .XX: ±0.25 X": ±2" 排母 2.54FH H5.0 1x3P 180度 U型 PC3.0 6T .XXX: ±0.13 .XX': ±1" | |
| APPD. | JM_Zheng | PJ. NO.: FH.05.11-76-3003 SIZE: A4 DRW NO.: | |
| CHKD. | LYX | | |
| PDWG.NO: | 0266-1 | FINISH: SEE NOTES MAT'L.: SEE NOTES | |
| DR. | SGF | SCALE: N/A REV.: A0 UNIT: mm PAGE: 1/1 | |