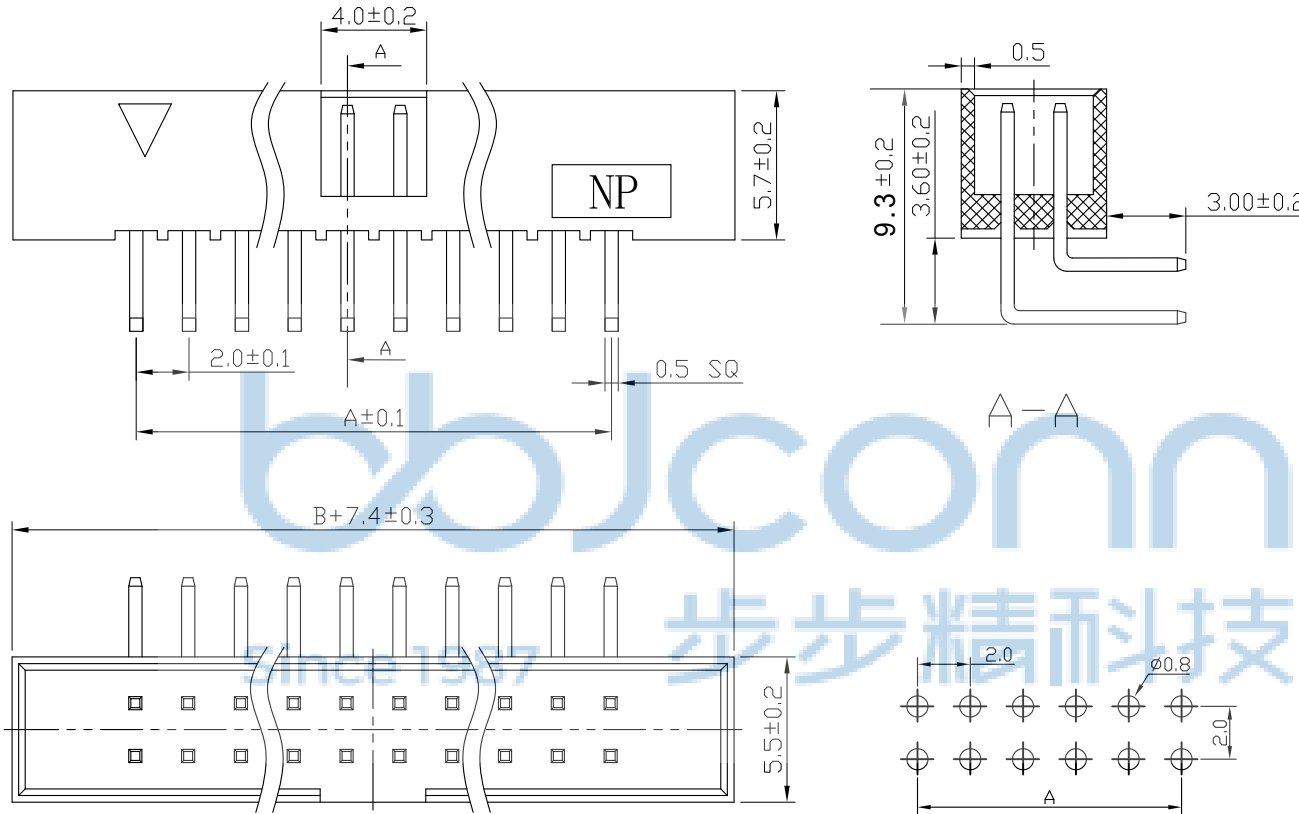


REV.	ECN NO	CONTENT	DATE	ENGINEER
A0		Initial release	/	SGF

SPECIFICATIONS

Current Rating: 1.5 Amps
 Insulation Resistance: 1000MΩ, Min
 Contact Resistance: 20mΩ Max
 Withstanding Voltage: AC 500V
 Operation Temperature: -40° to +105°
 Contact Material: Brass
 Standard: PA6T
 Insulator Material: Polyester (UL 94V-0)
 Contact Plating: Gold Flash
 Max. Processing Temp: 240° C for 30-60 seconds
 (260° C for 5 seconds)



RECOMMEND P. C. B LAYOUT
PCB TOLERANCE: ±0.05 (TOP VIEW)

No. of	DIM. A	DIM. B	No. of	DIM. A	DIM. B	No. of	DIM. A	DIM. B
6	4.00	6.00	20	18.00	20.00	36	34.00	36.00
8	6.00	8.00	24	22.00	24.00	40	38.00	40.00
10	8.00	10.00	26	24.00	26.00	44	42.00	44.00
12	10.00	12.00	30	28.00	30.00			
14	12.00	14.00	34	32.00	34.00			
16	14.00	16.00	36	34.00	36.00			
18	16.00	18.00	40	38.00	40.00			



深圳市步步精科技有限公司

THIS DOCUMENT IS THE SOLE PROPERTY OF BBJconn Technology Co., Ltd. CORPORATION AND SHOULD NOT BE USED IN WHOLE OR IN PART WITHOUT PRIOR WRITTEN PERMISSION.

PDWG. NO: 0266-1

NAME: 筒牛连接器 2.0DC3 24P H5.7 90度 PC3.0 PB9.3 L11-15 6T

APPD. JM_Zheng

CHKD. LYX

DR. SGF

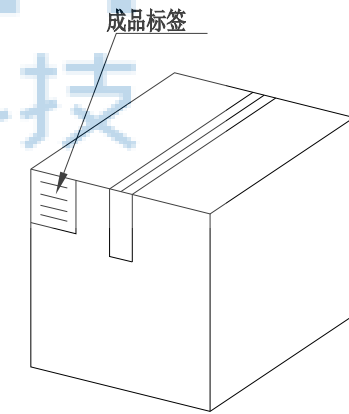
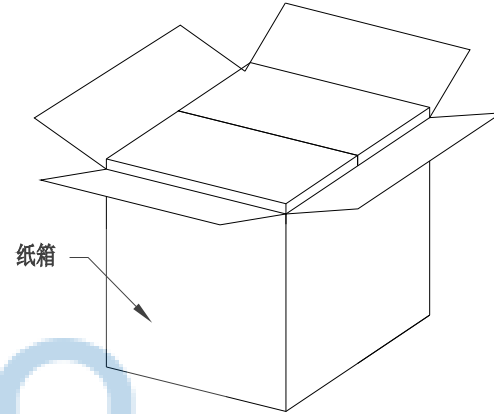
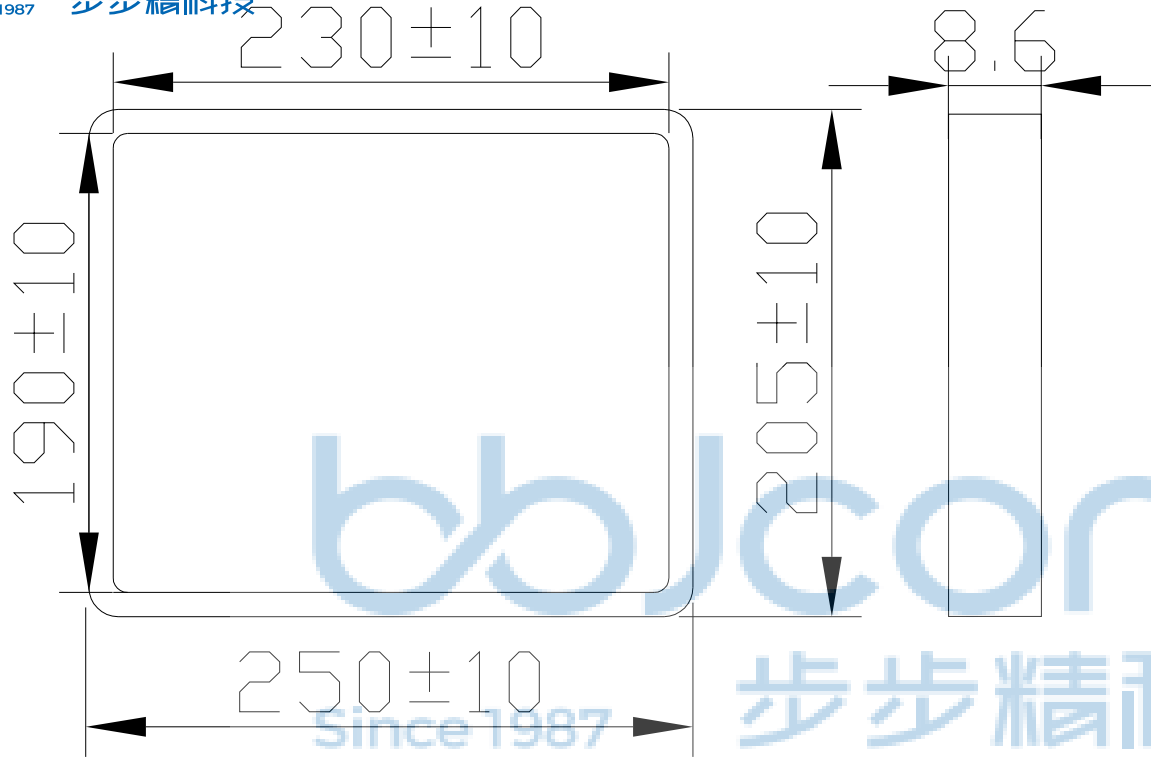
PJ. NO.: PH.09.22-22-6001

SIZE: A4 | DRW NO.:

FINISH: SEE NOTES | MAT'L.: SEE NOTES

SCALE: N/A | REV.: A0 | UNIT: mm | PAGE: 1/2

REV.	ECN NO	CONTENT	DATE	ENGINEER
A0		Initial release	/	SGF



1. 包装要求:
- 1.1 每盒吸塑盒包装 2000 pcs;
 - 1.2 每20盘放一箱, 共计40000 PCS;
 - 1.3 纸箱外贴上标签



纸箱规格: 350*210*290

THIS DOCUMENT IS THE SOLE PROPERTY OF BBJconn Technology Co.,Ltd. Corporation AND SHOULD NOT BE USED IN WHOLE OR IN PART WITHOUT PRIOR WRITTEN PERMISSION.		深圳市步步精科技有限公司 .X: ± 0.38 .X': $\pm 3'$.XX: ± 0.25 .X'': $\pm 2'$.XXX: ± 0.13 .X''': $\pm 1'$		NAME: 筒牛连接器 2.0DC3 24P H5.7 90度 PC3.0 PB9.3 L11-15 6T	
APPD.	JM_Zheng	PJ. NO.: PH.09.22-22-6001 SIZE: A4 DRW NO.:		FINISH: SEE NOTES MAT'L.: SEE NOTES	
CHKD.	LYX	SCALE: N/A		REV.: A0	UNIT: mm
PDWG.NO:	0266-1	DR.	SGF	PAGE: 2/2	