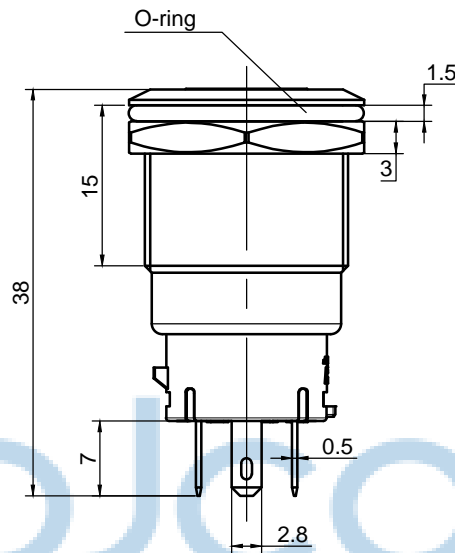
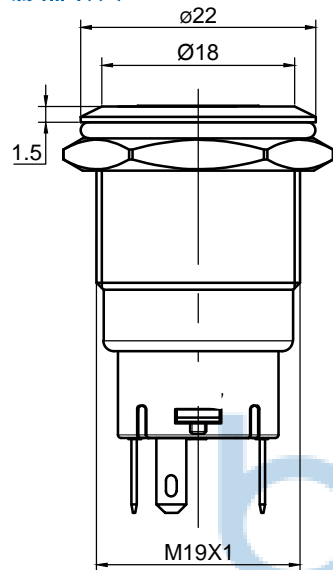
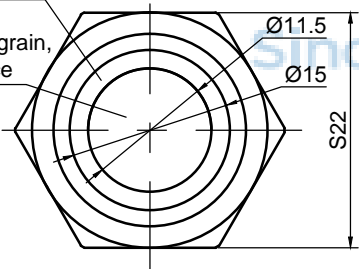


REV.	ECN NO.	CONTENT	DATE	ENGINEER
A0		Initial release	/	TSP



Colorless transparent luminous ring

CD superfine grain, smooth surface



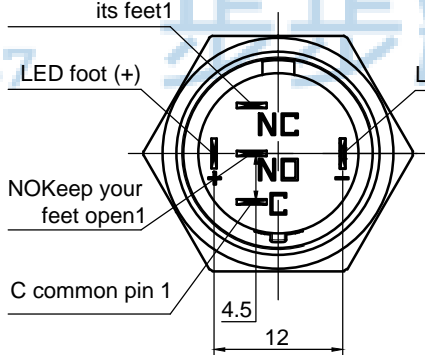
NC often closes its feet1

LED foot (+)

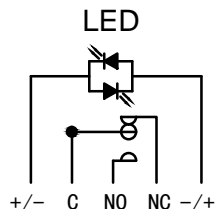
LED foot (-)

NO Keep your feet open1

C common pin 1



Principle diagram of monochrome electrical apparatus



### technical parameter

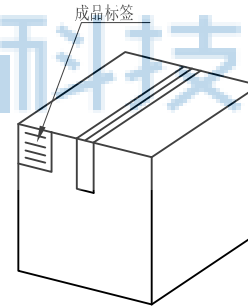
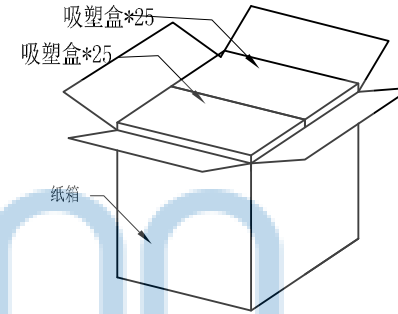
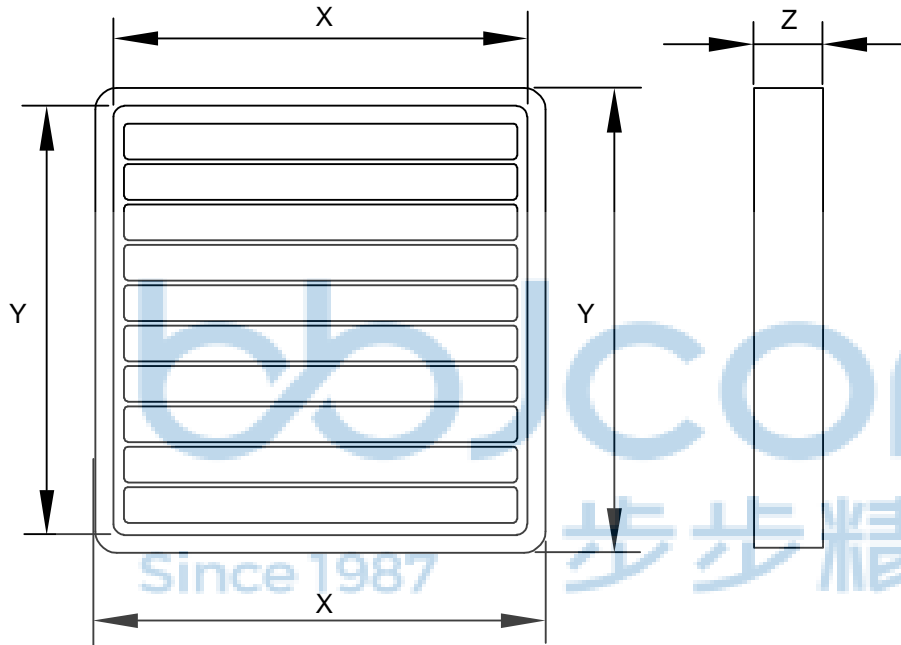
- Clean surface and uniform gloss;
- Rated voltage: AC250V/3A, DC30V/1A;
- LED rated load: DC5V, 6V, 12V, 24V, 36V, 48V, AC110V, AC220V;
- Working environment temperature: -20 °C / +55 °C
- Action form: self-locking(Z)/self-repeating(F);
- Action stroke: 3mm;
- Motion: <3N;
- Wiring form: matching connector insertion; welding wire, pay attention to welding time and temperature;
- Tightening moment: 5-14N.m.
- Switch combination: 1NO1NC/2NO2NC;
- Appearance materials: keys: PC / stainless steel; shell: 304 / Brass nickel plating / aluminum alloy oxidatio; Base: PC; Contact: Silver Alloy; Pin: H62 Silver Plating.
- Installation dimensions:  
The diameter of the opening is 19.2 mm.  
The thickness of the panel is less than 12 mm.
- Waterproof grade: IP67;
- Explosion-proof grade: IK10;
- The service life of LED beads is 40 000 hours.
- Contact resistance: <50m Ω ;
- Insulation resistance: > 1000M Ω ;
- Service life: Electrical part: 200,000 times; Mechanical part: 500,000 times.



Luminescent color code

P	Q	W	G	B	Y	R
---	---	---	---	---	---	---

THIS DOCUMENT IS THE SOLE PROPERTY OF BBJconn Technology Co.,Ltd. Corporation AND SHOULD NOT BE USED IN WHOLE OR IN PART WITHOUT PRIOR WRITTEN PERMISSION.		<b>深圳市步步精科技有限公司</b> 工程部 APPROVED		NAME: 金属开关 19A-P11-N 复位自锁同款无灯 平头环形 单开单色 金属电源符号按钮开关 PJ. NO.: 904-070-230006-M4G SIZE: A4 DRW NO.: FINISH: SEE NOTES MAT'L.: SEE NOTES SCALE: N/A REV.: A0 UNIT: mm PAGE: 1/1	
PDWG.NO: 0771-1	DR. TSP	APPD. JM_Zheng	CHKD. LYX	.X: ±0.38 .XX: ±0.25 .XXX: ±0.13	X': ±3' .X': ±2' .XX': ±1'



纸箱规格: 350\*210\*290



1. 包装要求:

- 1.1 每盒吸塑盒包装 50 pcs;
- 1.2 每50盘放一箱, 共计2500PCS;
- 1.3 纸箱外贴上标签



THIS DOCUMENT IS THE SOLE PROPERTY OF BBJconn Technology Co.,Ltd. Corporation AND SHOULD NOT BE USED IN WHOLE OR IN PART WITHOUT PRIOR WRITTEN PERMISSION.		深圳市步步精科技有限公司 .X: ±0.38    .XX: ±0.25    .XXX: ±0.13 X': ±3"    .X': ±2"    .XX': ±1"		NAME: 金属开关 19A-P11-N 复位自锁同款无灯 平头环形 单开单色 金属电源符号按钮开关 PJ. NO.: 904-070-230006-M4G SIZE: A4   DRW NO.: FINISH: SEE NOTES   MAT'L.: SEE NOTES SCALE: N/A   REV.: A0   UNIT: mm   PAGE: 2/2	
APPD.	JM_Zheng	CHKD.	LYX	DR.	TSP
PDWG.NO: 0771-1					