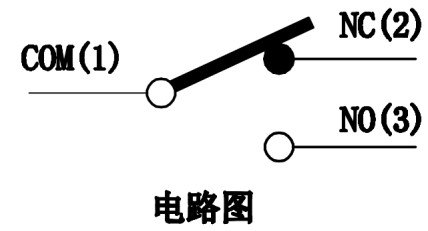
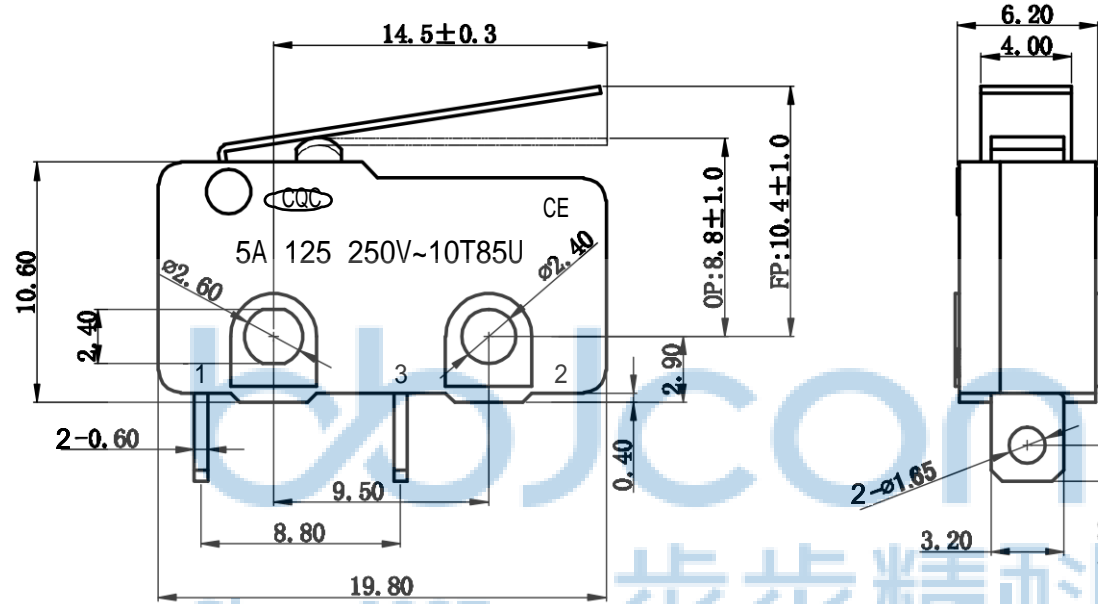
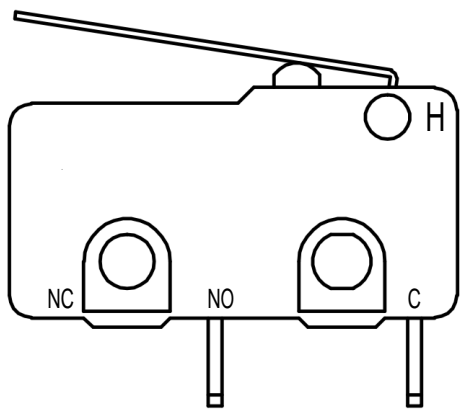


REV.	ECN NO	CONTENT	DATE	ENGINEER
A0		Initial release	/	SGF



10	压柄	1	SUS301	
9	触点	3	黄铜	
8	C弹片	1	C17200	
7	拨片	1	C5210	
6	NO端子	1	C2680	
5	NC端子	1	C2680	
4	COM端子	1	C2680	
3	按钮	1	FBT 红	UL94V-0
2	下盖	1	FBT 黑	UL94V-0
1	上盖	1	FBT 黑	UL94V-0
序号	零件名称	数量	材质	备注

Rating	5 A 125/250VAC	Mechanical Life	300,000 cycles
Contact Resistance	500mΩ Max	Electrical Life	UL10,000 cycles TUV50,000 cycles
Insulation Resistance	>100MΩ DC500V	Ambient Temper. Used	-25°C to +125°C
Withstand Voltage	AC1500V 1min.	Ambient Humidity Used	≤85% at +40°C
Soldering Temper.	235±5°C 5s	Operating Force	40 ±20gf max



THIS DOCUMENT IS THE SOLE PROPERTY OF BBJconn Technology Co., Ltd. Corporation AND SHOULD NOT BE USED IN WHOLE OR IN PART WITHOUT PRIOR WRITTEN PERMISSION.

PDWG.NO: 0230-1

DR. SGF

APPD. JM_Zheng

CHKD. LYX

NAME: 微动开关 中微动 直柄 俩脚插

PJ. NO.: WK.02.02-35-0006

SIZE: A4 | DRW NO.:

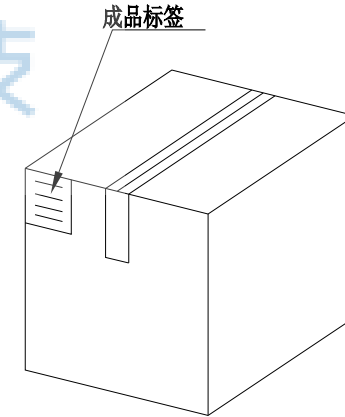
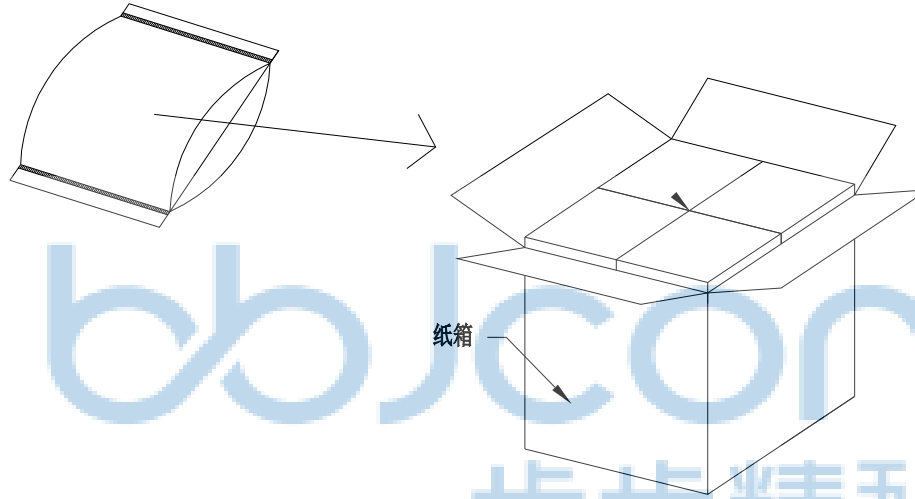
FINISH: SEE NOTES | MAT'L.: SEE NOTES

SCALE: N/A | REV.: A0 | UNIT: mm | PAGE: 1/2

深圳市步步精科技有限公司

REV.	ECN NO	CONTENT	DATE	ENGINEER
A0		Initial release	/	SGF

PE袋规格:***X*** (以实际出货为准)



1. 包装要求:

- 1.1 每PE袋包装 500 pcs;
- 1.2 每1袋放一小纸盒;
- 1.3 每20个小纸盒放一个纸箱, 共计10000PCS
- 1.4 纸箱外贴上标签



THIS DOCUMENT IS THE SOLE PROPERTY OF BBJconn Technology Co.,Ltd. Corporation AND SHOULD NOT BE USED IN WHOLE OR IN PART WITHOUT PRIOR WRITTEN PERMISSION.		深圳市步步精科技有限公司 .X: ±0.38 X': ±3" .XX: ±0.25 .X": ±2" .XXX: ±0.13 .XX": ±1"		NAME: 微动开关 中微动 直柄 俩脚插 PJ. NO.: WK.02.02-35-0006 SIZE: A4 DRW NO.: FINISH: SEE NOTES MAT'L.: SEE NOTES SCALE: N/A REV.: A0 UNIT: mm PAGE: 2/2	
PDWG.NO: 0230-1	DR.	SGF	APPD.	JM_Zheng	
			CHKD.	LYX	