

电路图



10	压柄	1	SUS301	
9	触点	3	紫铜点	
8	弹簧	1	SUS304	
7	弹片	1	紫铜	
6	NO端子	1	C2680	
5	NC端子	1	C2680	
4	COM端子	1	C2680	
3	按钮	1	PBT	UL94V-0
2	下盖	1	PBT	UL94V-0
1	上盖	1	PBT	UL94V-0
序号	零件名称	数量	材质	备注

Rating	5 A 125/250VAC	Mechanical Life	300,000 cycles
Contact Resistance	500mΩ Max	Electrical Life	UL50,000 cycles CQC10,000 cycles
Insulation Resistance	>100MΩ DC500V	Ambient Temper. Used	-25°C to +105°C
Withstand Voltage	AC1500V 1min.	Ambient Humidity Used	≤85% at +40°C
Soldering Temper.	235±5°C 5s	Operating Force	50 ±20gf max

THIS DOCUMENT IS THE SOLE PROPERTY OF BBJconn Technology Co., Ltd. Corporation AND SHOULD NOT BE USED IN WHOLE OR IN PART WITHOUT PRIOR WRITTEN PERMISSION.

PDWG.NO: 0230-1

DR. SGF

APPD. JM\_Zheng

CHKD. LYX

APPROVED

深圳市步步精科技有限公司

NAME: 微动开关 中微动 带柄

PJ. NO.: WK.02.02-35-0003

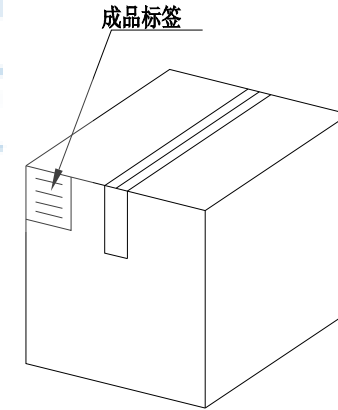
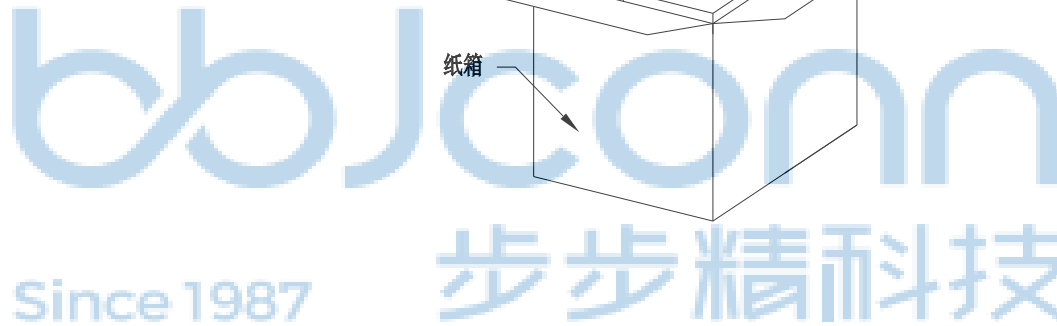
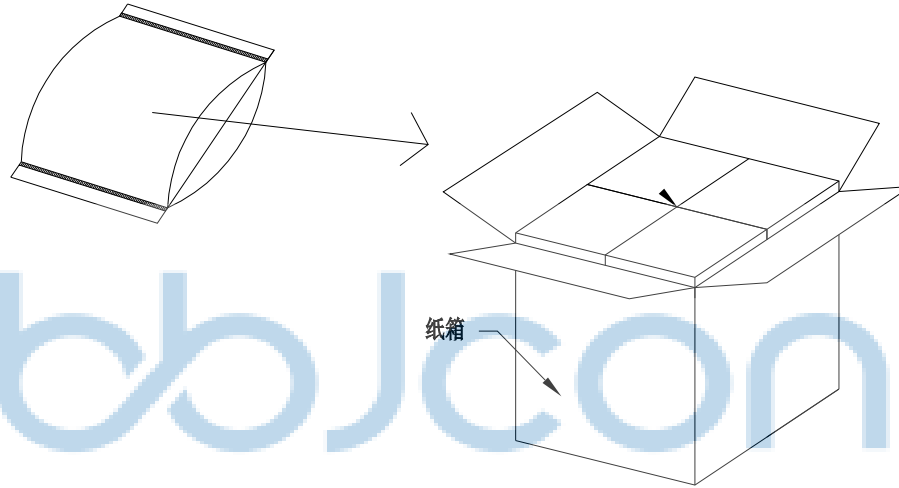
SIZE: A4 | DRW NO.:

FINISH: SEE NOTES | MAT'L.: SEE NOTES

SCALE: N/A | REV.: A0 | UNIT: mm | PAGE: 1/2

REV.	ECN NO	CONTENT	DATE	ENGINEER
A0		Initial release	/	SGF

PE袋规格:\*\*\*X\*\*\* (以实际出货为准)



1. 包装要求:

- 1.1 每PE袋包装 500 pcs;
- 1.2 每1袋放一小纸盒;
- 1.3 每20个小纸盒放一个纸箱, 共计10000PCS
- 1.4 纸箱外贴上标签



THIS DOCUMENT IS THE SOLE PROPERTY OF BBJconn Technology Co.,Ltd. Corporation AND SHOULD NOT BE USED IN WHOLE OR IN PART WITHOUT PRIOR WRITTEN PERMISSION.		深圳市步步精科技有限公司 .X: ±0.38 X': ±3' NAME: 微动开关 中微动 带柄 .XX: ±0.25 X'': ±2' .XXX: ±0.13 XX': ±1'	
APPD.	JM_Zheng	PJ. NO.: WK.02.02-35-0003 SIZE: A4 DRW NO.:	
CHKD.	LYX	FINISH: SEE NOTES MAT'L.: SEE NOTES	
PDWG.NO:	0230-1	DR.	SGF
		SCALE: N/A	REV.: A0 UNIT: mm PAGE: 2/2