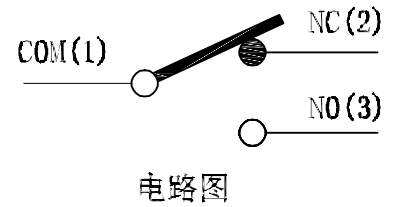
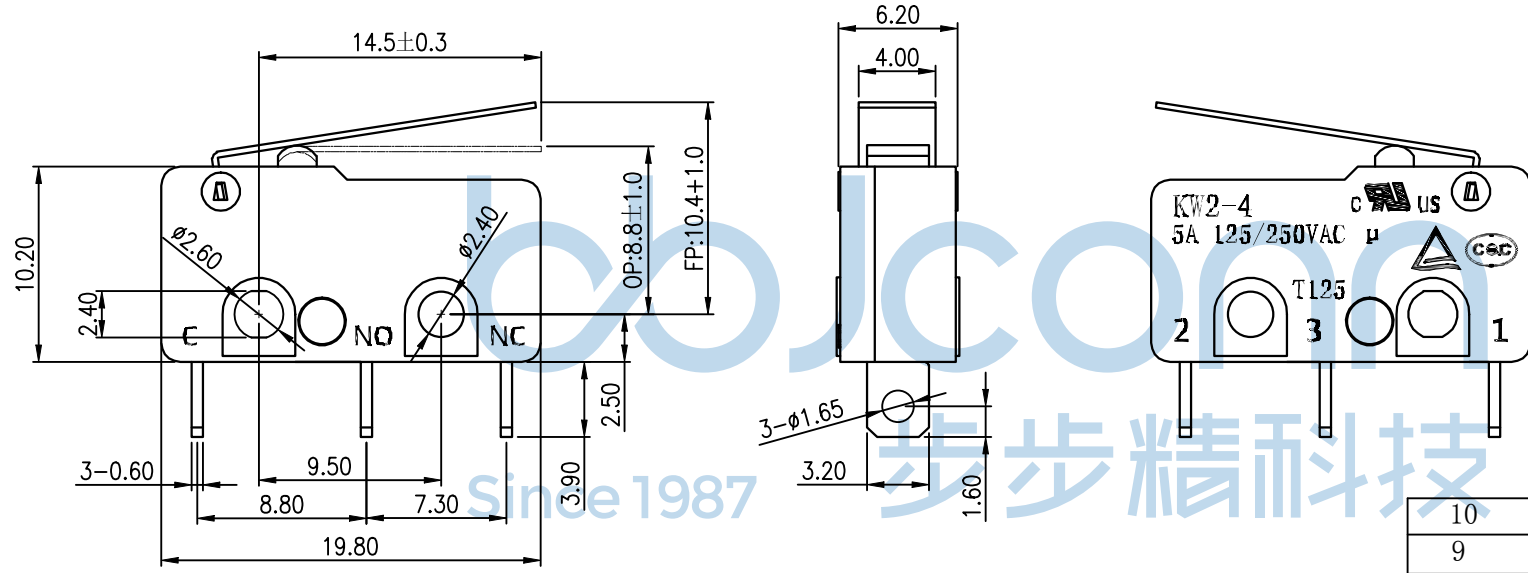


REV.	ECN NO.	CONTENT	DATE	ENGINEER
A0		Initial release	/	TSP

Rating	5A 125/250VAC	Mechanical Life	1,000,000 cycles
Contact Resistance	500mΩ Max	Electrical Life	UL10,000 cycles TUV50,000 cycles
Insulation Resistance	≥100MΩ DC500V	Ambient Temper Used	-25℃to+125℃
Withstand Voltage	AC1500V 1min,	Ambient Humidity Used	≤85% at +40℃
Soldering Temper.	235+5℃ 5s	Operating Force	40±20gf max



10	压柄	1	SUS301	
9	触点	3	银合金	
8	C弹片	1	C17200	
7	弹片	1	C5210	
6	NO端子	1	C2680	
5	NC端子	1	C2680	
4	COM端子	1	C2680	
3	按钮	1	PBT	UL94V-0
2	下盖	1	PBT	UL94V-0
1	上盖	1	PBT	UL94V-0
序号	零件名称	数量	材质	备注



THIS DOCUMENT IS THE SOLE PROPERTY OF BBJconn Technology Co., Ltd. Corporation AND SHOULD NOT BE USED IN WHOLE OR IN PART WITHOUT PRIOR WRITTEN PERMISSION.

PDWG.NO: 0230-1

**深圳市步步精科技有限公司**

NAME: 微动开关 中微动 带柄 三脚直插 黑色基座 银点

PJ. NO.: WK.02.02-35-0001

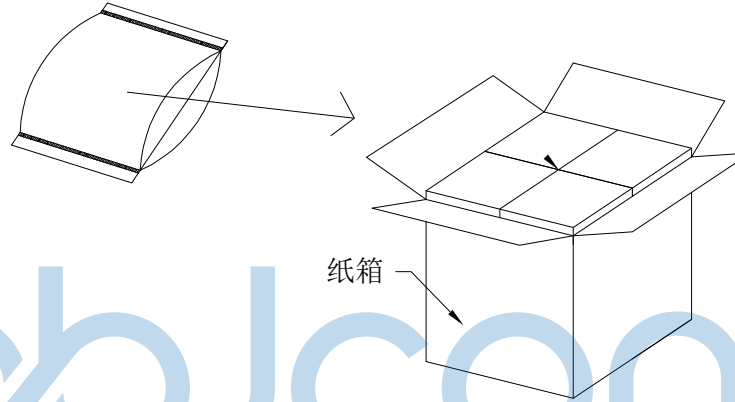
SIZE: A4 DRW NO.:

FINISH: SEE NOTES MAT'L.: SEE NOTES

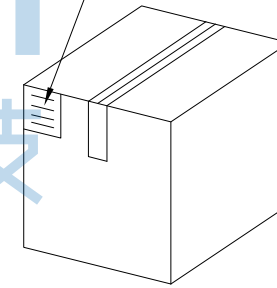
SCALE: N/A REV.: A0 UNIT: mm PAGE: 1/2

REV.	ECN NO	CONTENT	DATE	ENGINEER
A0		Initial release	/	TSP

PE袋规格: 260\*185



成品标签



1. 包装要求:

- 1.1 每个PE袋包装500pcs;
- 1.2 每1袋放一小纸盒;
- 1.3 每20个小纸盒放一个纸箱, 共计10000pcs;
- 1.4 纸箱外贴上标签



THIS DOCUMENT IS THE SOLE PROPERTY OF BBJconn Technology Co.,Ltd. Corporation AND SHOULD NOT BE USED IN WHOLE OR IN PART WITHOUT PRIOR WRITTEN PERMISSION.		深圳市步步精科技有限公司 .X: ±0.38    .X': ±3" .XX: ±0.25    .X'': ±2" .XXX: ±0.13    .XX': ±1"		NAME: 微动开关 中微动 带柄 三脚直插 黑色基座 银点 PJ. NO.: WK.02.02-35-0001 SIZE: A4   DRW NO.: FINISH: SEE NOTES   MAT'L.: SEE NOTES SCALE: N/A   REV.: A0   UNIT: mm   PAGE: 2/2	
APPD.	JM_Zheng	CHKD.	LYX	DR.	TSP
PDWG.NO:	0230-1				