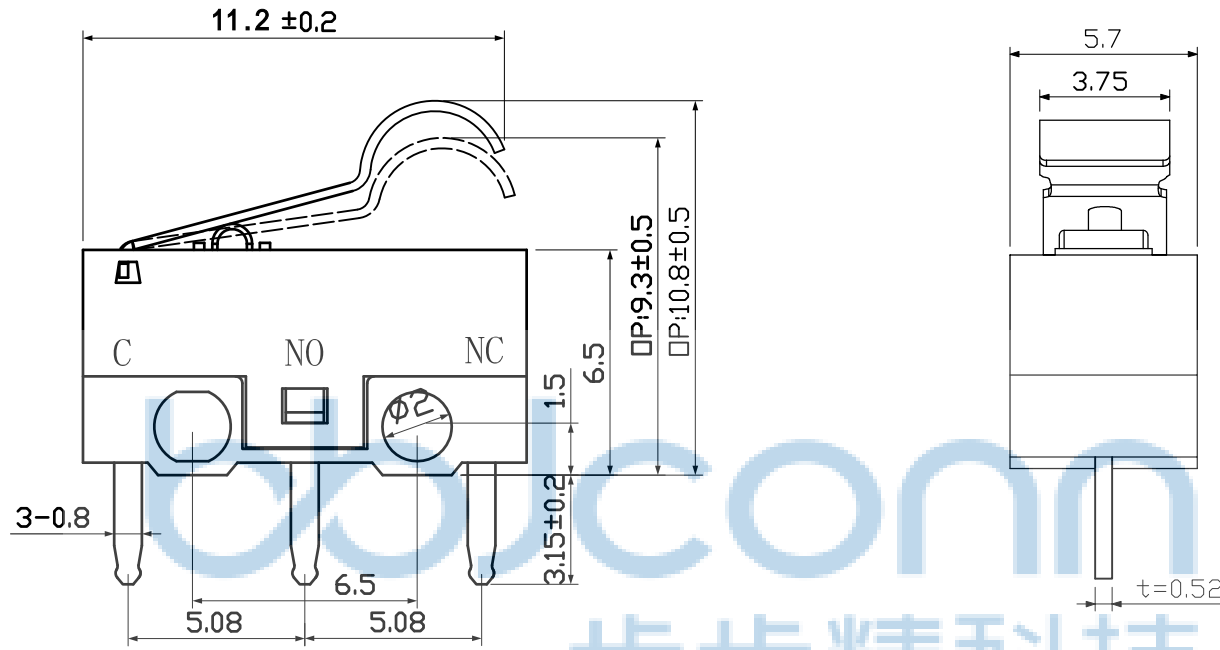


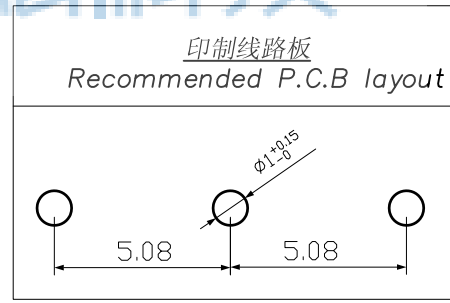
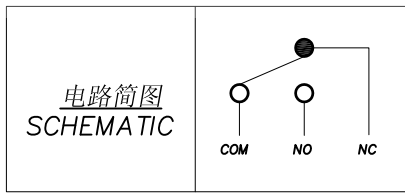
REV.	ECN NO	CONTENT	DATE	ENGINEER
A0		Initial release	/	SGF



- 1、工作电压 Working Voltage : 30V DC;
- 2、工作电流 Working Current: 0.05A;
- 3、接触电阻 Contact Resistance: $\leq 100m\Omega$;
- 4、绝缘电阻 Insulation Resistance: $\geq 100M\Omega$;
- 5、动作力 Press Force: $30 \pm 15gf$;
- 6、寿命 Life: $>1,000,000$ 次。

Since 1987

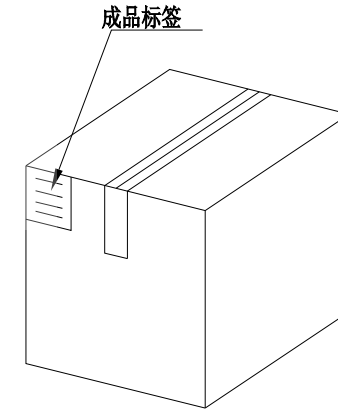
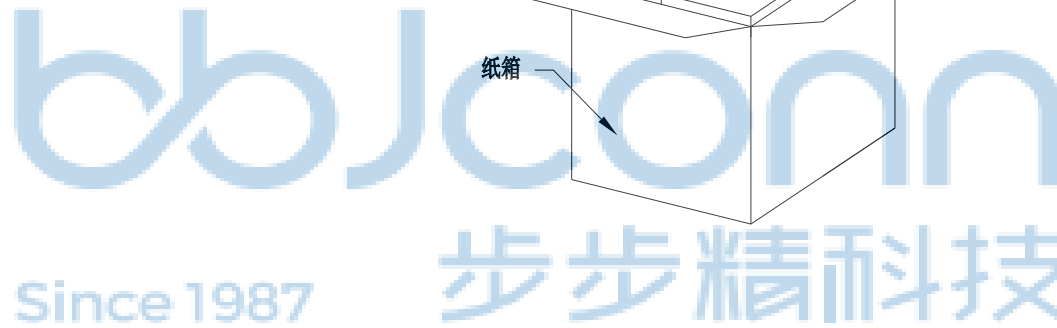
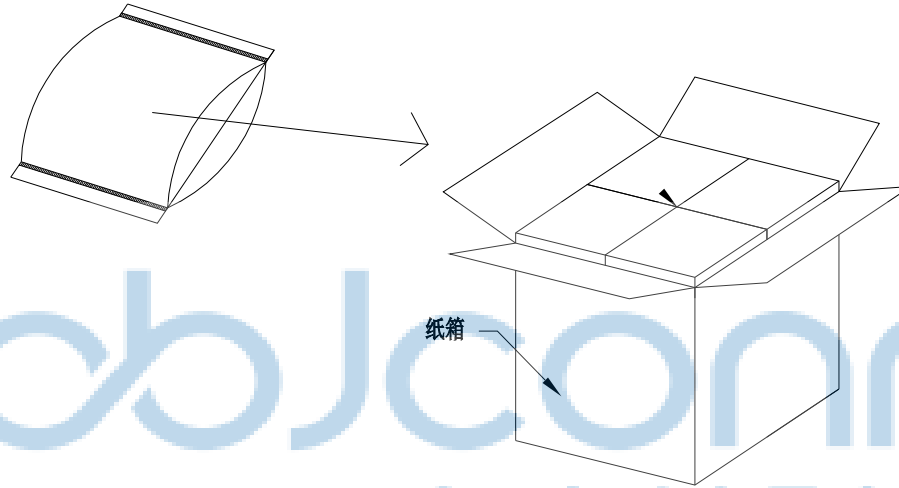
bbJconn
步步精科技



THIS DOCUMENT IS THE SOLE PROPERTY OF BBJconn Technology Co., Ltd. CORPORATION AND SHOULD NOT BE USED IN WHOLE OR IN PART WITHOUT PRIOR WRITTEN PERMISSION.		深圳市步步精科技有限公司	
PDWG.NO: 0104-1	DR. SGF	NAME: 微动开关 小微动 弯柄 三脚直插 透明底座 T15 (改模后) (K110-01ART60)	PJ. NO.: WK.01.06-11-0004
APPD. JM_Zheng	CHKD. LYX	SIZE: A4	DRW NO.:
FINISH: SEE NOTES		MAT'L.: SEE NOTES	
SCALE: N/A		REV.: A0	UNIT: mm
PAGE: 1/2			

REV.	ECN NO	CONTENT	DATE	ENGINEER
A0		Initial release	/	SGF

PE袋规格:***X*** (以实际出货为准)



1. 包装要求:

- 1.1 每PE袋包装 1000PCS;
- 1.2 纸箱外贴上标签



THIS DOCUMENT IS THE SOLE PROPERTY OF BBJconn Technology Co.,Ltd. Corporation AND SHOULD NOT BE USED IN WHOLE OR IN PART WITHOUT PRIOR WRITTEN PERMISSION.		深圳市步步精科技有限公司 .X: ±0.38 X': ±3' NAME: .XX: ±0.25 .X": ±2' 微动开关 小微动 弯柄 三脚直插 透明底座 T15 (改模后) (KW10-01ART60) .XXX: ±0.13 .XX": ±1'	
APPD.	JM_Zheng	PJ. NO.: WK.01.06-11-0004 SIZE: A4 DRW NO.:	
CHKD.	LYX		
PDWG.NO:	0104-1	FINISH: SEE NOTES MAT'L.: SEE NOTES	
DR.	SGF	SCALE: N/A REV.: A0 UNIT: mm PAGE: 2/2	