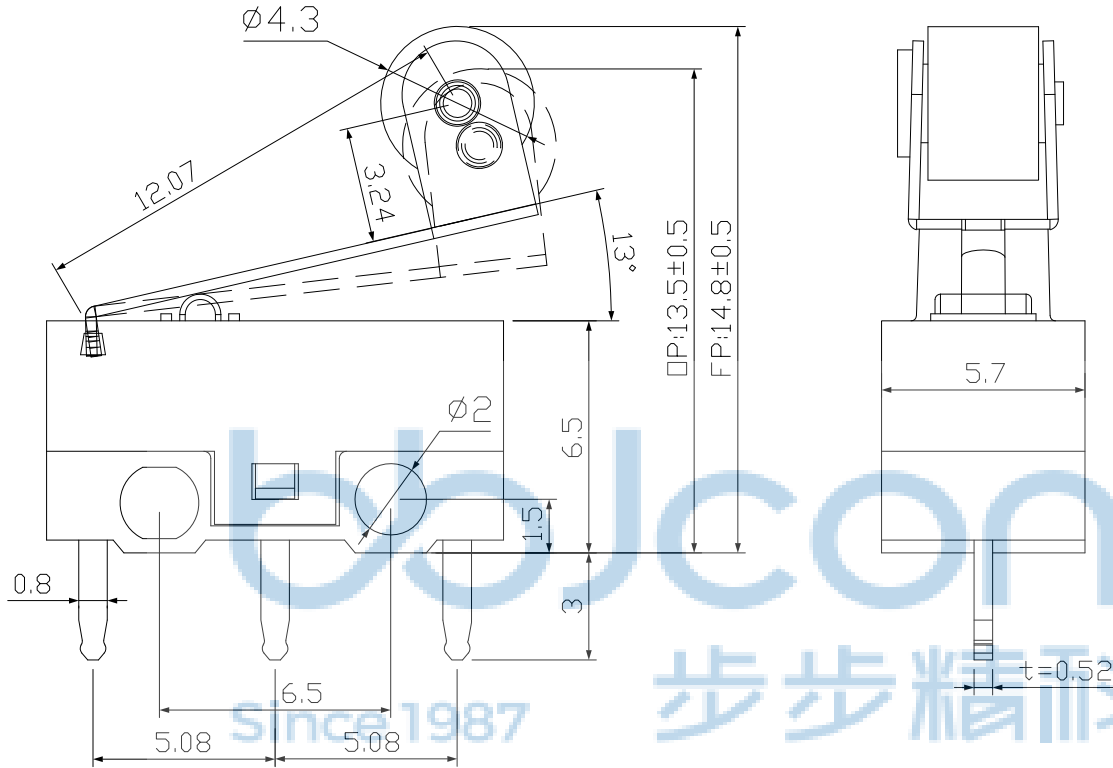
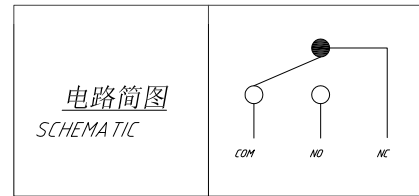
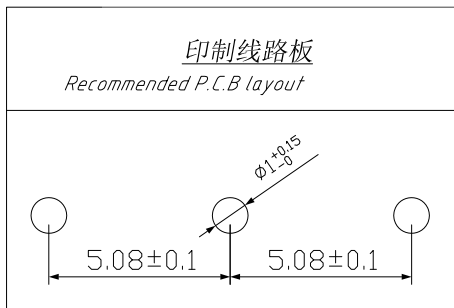


REV.	ECN NO.	CONTENT	DATE	ENGINEER
A0		Initial release	/	SGF



- 1、工作电压 Working Voltage: 30V DC;
- 2、工作电流 Working Current: 0.05A;
- 3、接触电阻 Contact Resistance: $\leq 100m\Omega$;
- 4、绝缘电阻 Insulation Resistance: $\geq 100M\Omega$;
- 5、动作力 Press Force: $30 \pm 15gf$;
- 6、寿命 Life: $\geq 100,000$ 次。



9	铁条	SUS301	-----	-----
8	滚轮	PC	黑色	-----
7	铆钉	黄铜	-----	-----
6	盖板	PA66	黑色	-----
5	按柄	POM	红色	-----
4	簧片	磷铜	-----	-----
3	触点	纯银	-----	-----
2	基座	PA66	白色	-----
1	端子	H62Y	-----	表面镀银
NO.	DESCRIPTION	MATERIAL	COLOR	REMARK



THIS DOCUMENT IS THE SOLE PROPERTY OF BBJconn Technology Co.,Ltd. Corporation AND SHOULD NOT BE USED IN WHOLE OR IN PART WITHOUT PRIOR WRITTEN PERMISSION.

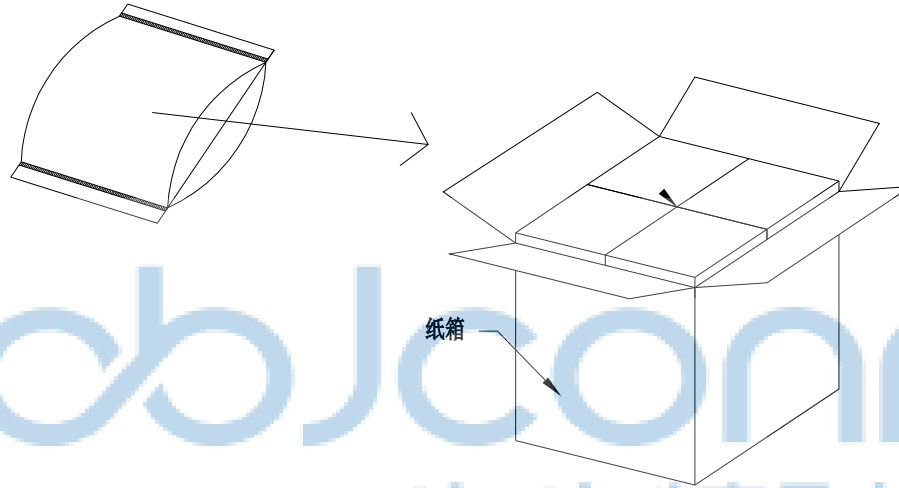
PDWG.NO: 0104-1

深圳市步步精科技有限公司
小微动带轮铜点白色基座 (KW10-D07T28)

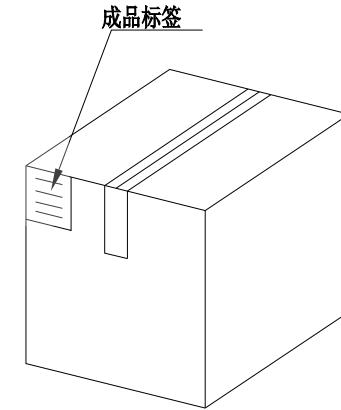
NAME:	小微动带轮铜点白色基座 (KW10-D07T28)		
APPD.:	JM_Zheng	PJ. NO.:	WK.01.05-21-0001
CHKD.:	LYX	SIZE:	A4 DRW NO.:
DR.:	SGF	FINISH:	SEE NOTES
		MAT'L.:	SEE NOTES
		SCALE:	N/A
		REV.:	A0
		UNIT:	mm
		PAGE:	1/2

REV.	ECN NO	CONTENT	DATE	ENGINEER
A0		Initial release	/	SGF

PE袋规格:***X*** (以实际出货为准)



bbJconn
Since 1987 步步精科技



1. 包装要求:

- 1.1 每PE袋包装 1000PCS;
- 1.2 每1袋放一小纸盒;
- 1.3 每20个小纸盒放一个纸箱, 共计20000PCS
- 1.4 纸箱外贴上标签



THIS DOCUMENT IS THE SOLE PROPERTY OF BBulconn Technology Co.,Ltd. Corporation AND SHOULD NOT BE USED IN WHOLE OR IN PART WITHOUT PRIOR WRITTEN PERMISSION.		深圳市步步精科技有限公司 .X: ±0.38 X': ±3' .XX: ±0.25 .X': ±2' .XXX: ±0.13 .XX': ±1'		NAME: 小微动带轮铜点白色基座 (KW10-D07T28)	
APPD.	JM_Zheng	PJ. NO.: WK. 01.05-21-0001		SIZE: A4 DRW NO.:	
CHKD.	LYX	FINISH: SEE NOTES MAT'L.: SEE NOTES		SCALE: N/A REV.: A0 UNIT: mm PAGE: 2/2	
PDWG.NO:	0104-1	DR.	SGF		