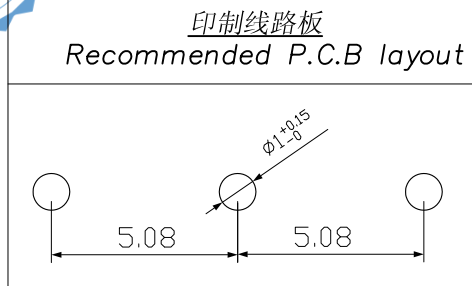
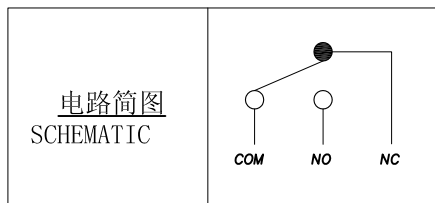
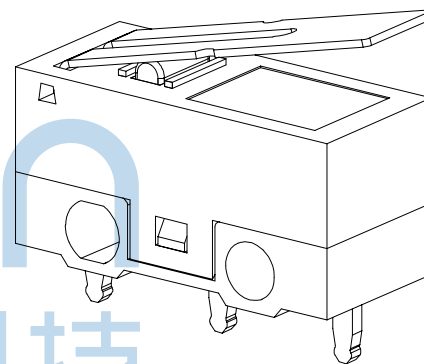
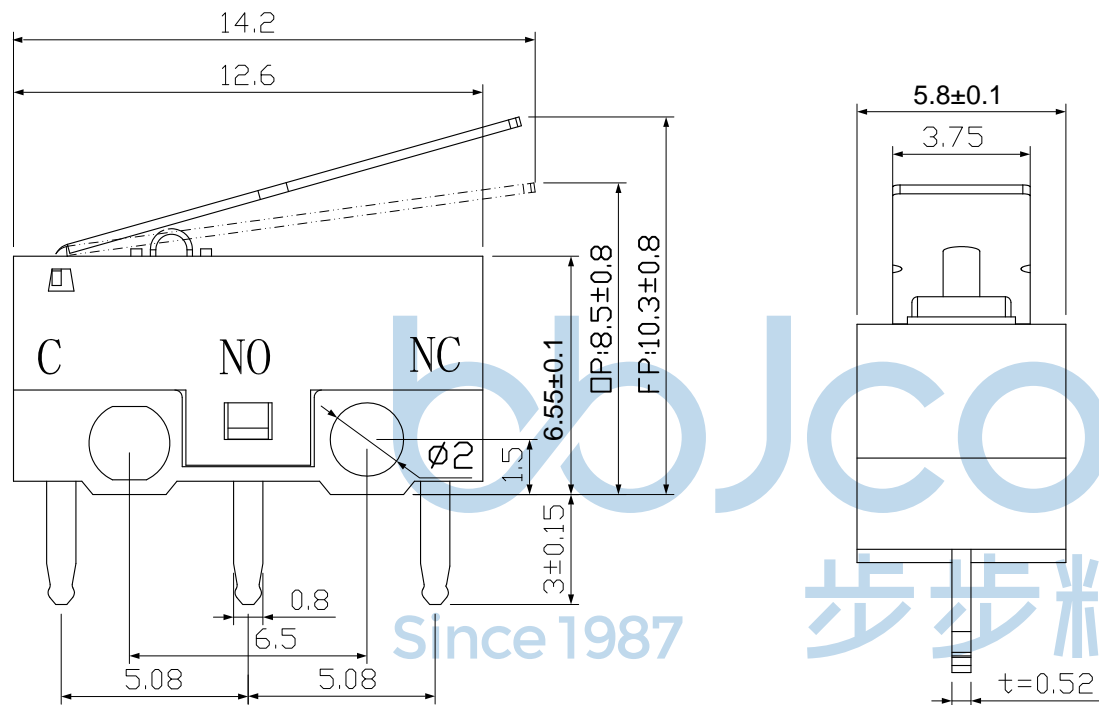


REV.	ECN NO	CONTENT	DATE	ENGINEER
A0		Initial Release	/	LHC

- 1、工作电压 Working Voltage: 250V DC;
- 2、工作电流 Working Current: 1 A;
- 3、接触电阻 Contact Resistance: $\leq 50m\Omega$;
- 4、绝缘电阻 Insulation Resistance: $\geq 100M\Omega$;
- 5、动作力 Press Force: $30 \pm 15gf$;
- 6、寿命 Life: $\geq 1000,000$ 次。



7	铁条	SUS	-----	-----
6	盖板	PC	黑色	-----
5	按柄	POM	红色	-----
4	簧片	磷铜	-----	-----
3	触点	包银	-----	-----
2	基座	PA66	白色	-----
1	端子	H62Y 0.5mm	-----	表面镀银
NO.	DESCRIPTION	MATERIAL	COLOR	REMARK

THIS DOCUMENT IS THE SOLE PROPERTY OF BBJconn Technology Co., Ltd. Corporation AND SHOULD NOT BE USED IN WHOLE OR IN PART WITHOUT PRIOR WRITTEN PERMISSION.

PDWG.NO: 0104-1

DR. LHC

APPD. JM_Zheng

CHKD. LYX

NAME: 小微动带柄乳白色基座

PJ. NO.: WK.01.02-21-0001

SIZE: A4 DRW NO.:

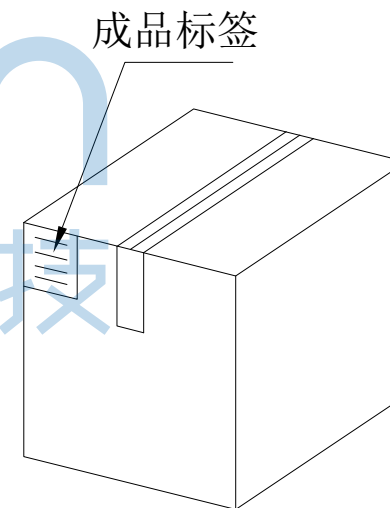
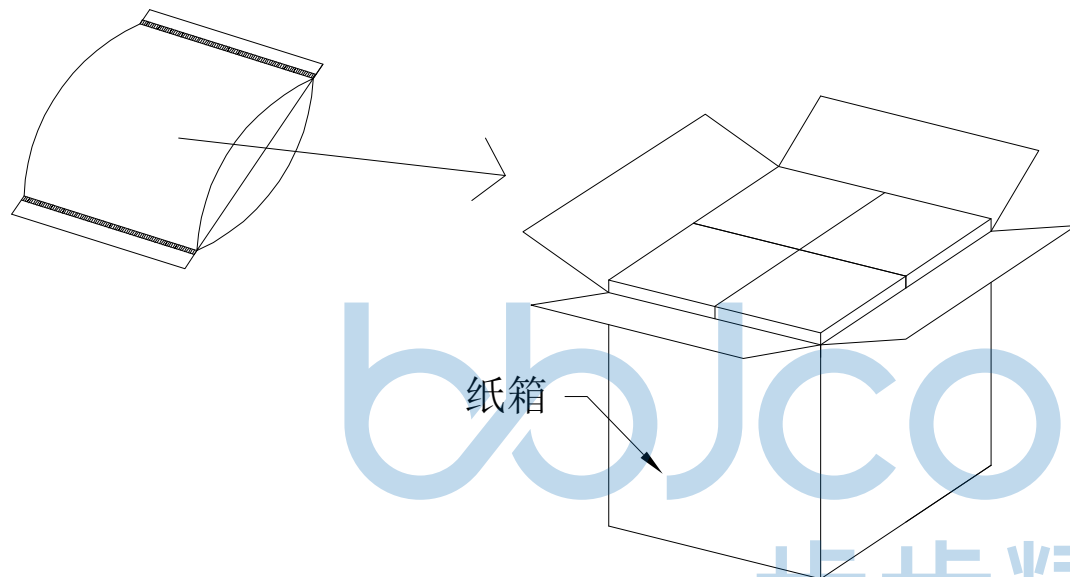
FINISH: SEE NOTES MAT'L.: SEE NOTES

SCALE: N/A REV.: A0 UNIT: mm PAGE: 1/2

深圳市步步精科技有限公司

REV.	ECN NO	CONTENT	DATE	ENGINEER
A0		Initial Release	/	LHC

PE袋规格: 260*185



1. 包装要求:

- 1.1 每PE袋包装1000pcs;
- 1.2 每1袋放一小纸盒;
- 1.3 每20个小纸盒放一个纸箱, 共计20000PCS
- 1.4 纸箱外贴上标签

bbJconn
Since 1987 步步精科技



THIS DOCUMENT IS THE SOLE PROPERTY OF BBJconn Technology Co.,Ltd. Corporation AND SHOULD NOT BE USED IN WHOLE OR IN PART WITHOUT PRIOR WRITTEN PERMISSION.		深圳市步步精科技有限公司 NAME: 小微动带柄乳白色基座	
PDWG.NO: 0104-1	DR. LHC	APPD. JM_Zheng CHKD. LYX	PJ. NO.: WK.01.02-21-0001 SIZE: A4 DRW NO.: FINISH: SEE NOTES MAT'L.: SEE NOTES SCALE: N/A REV.: A0 UNIT: mm PAGE: 2/2