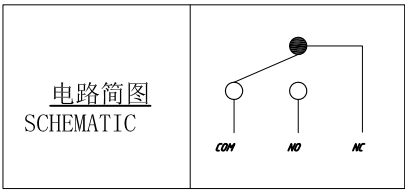
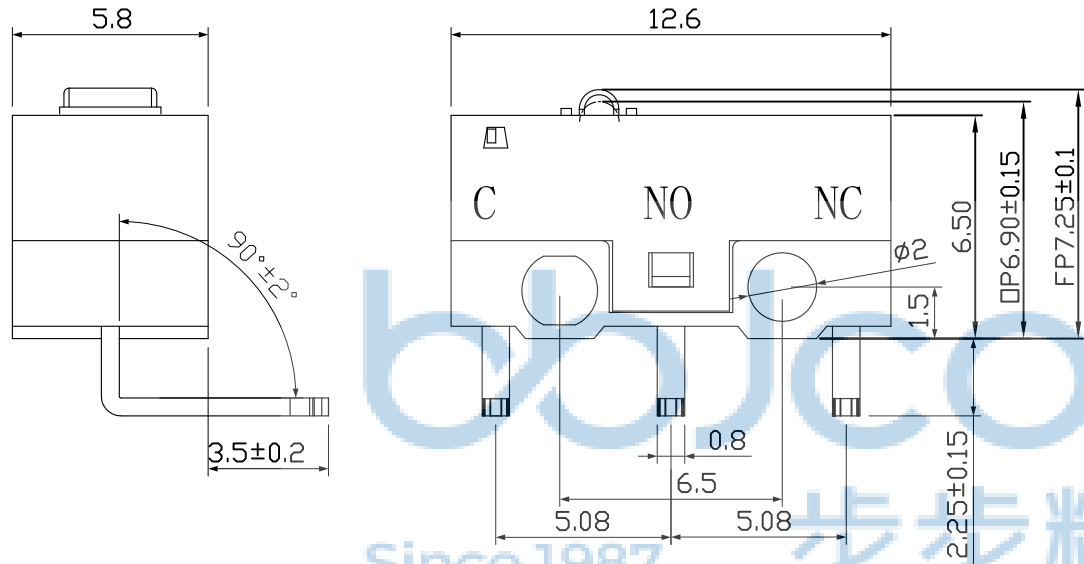
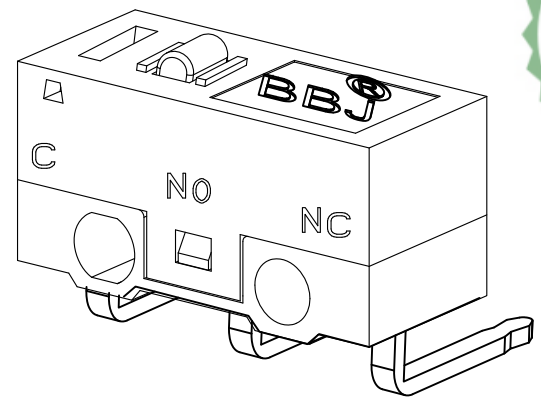
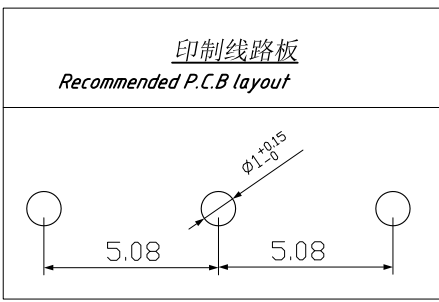


| | | | | |
|------|--------|-----------------|------|----------|
| REV. | ECN NO | CONTENT | DATE | ENGINEER |
| A0 | | Initial release | / | SGF |

- 1、工作电压 Working Voltage: 30V DC;
- 2、工作电流 Working Current: 50mA;
- 3、接触电阻 Contact Resistance: $\leq 100m\Omega$;
- 4、绝缘电阻 Insulation Resistance: $\geq 100M\Omega$;
- 5、动作力 Press Force: $120 \pm 20gf$;
- 6、寿命 Life: ≥ 1000000 次。



| | | | | |
|-----|-------------|------------|-------|--------|
| 6 | 盖板 | PA66 | 黑色 | ----- |
| 5 | 按柄 | POM | 红色 | ----- |
| 4 | 簧片 | 磷铜 | ----- | ----- |
| 3 | 触点 | 纯银 | ----- | ----- |
| 2 | 基座 | PPA | 白色 | ----- |
| 1 | 端子 | H62Y 0.5mm | ----- | 表面镀银 |
| NO. | DESCRIPTION | MATFRIAL | COLOR | RFMARK |



THIS DOCUMENT IS THE SOLE PROPERTY OF BBJconn Technology Co.,Ltd. Corporation AND SHOULD NOT BE USED IN WHOLE OR IN PART WITHOUT PRIOR WRITTEN PERMISSION.

PDWG.NO: 0104-1

DR. SGF

APPD. JM_Zheng

CHKD. LYX

NAME: 深圳市步步精科技有限公司
小微动不带柄右弯

PJ. NO.: WK.01.01-11-0003

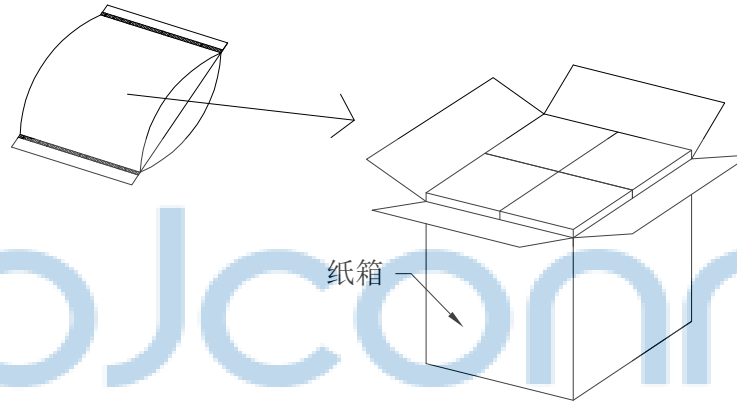
SIZE: A4 | DRW NO.:

FINISH: SEE NOTES | MAT'L.: SEE NOTES

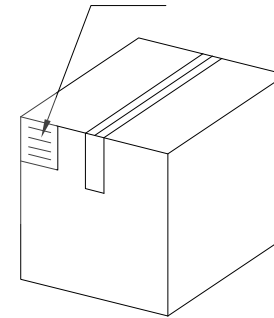
SCALE: N/A | REV.: A0 | UNIT: mm | PAGE: 1/2

| REV. | ECN NO | CONTENT | DATE | ENGINEER |
|------|--------|-----------------|------|----------|
| A0 | | Initial release | / | SGF |

PE袋规格: 260*185


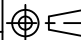


成品标签



1. 包装要求:

- 1.1 每个PE袋包装1000pcs;
- 1.2 每1袋放一小纸盒;
- 1.3 每20个小纸盒放一个纸箱, 共计20000pcs;
- 1.4 纸箱外贴上标签

| | | | |
|--|----------|--|---|
| THIS DOCUMENT IS THE SOLE PROPERTY OF BBJconn Technology Co.,Ltd. Corporation AND SHOULD NOT BE USED IN WHOLE OR IN PART WITHOUT PRIOR WRITTEN PERMISSION. | |  深圳市步步精科技有限公司 | |
| .X: ±0.38 .XX: ±0.25 .XXX: ±0.13 X': ±3" .X': ±2" .XX': ±1" | | NAME: 小微动不带柄右弯 | |
| APPD. | JM_Zheng |  PJ. NO.: WK.01.01-11-0003 SIZE: A4 DRW NO.: | FINISH: SEE NOTES MAT'L.: SEE NOTES SCALE: N/A REV.: A0 UNIT: mm PAGE: 2/2 |
| CHKD. | LYX | | |
| PDWG.NO: | 0104-1 | DR. | SGF |