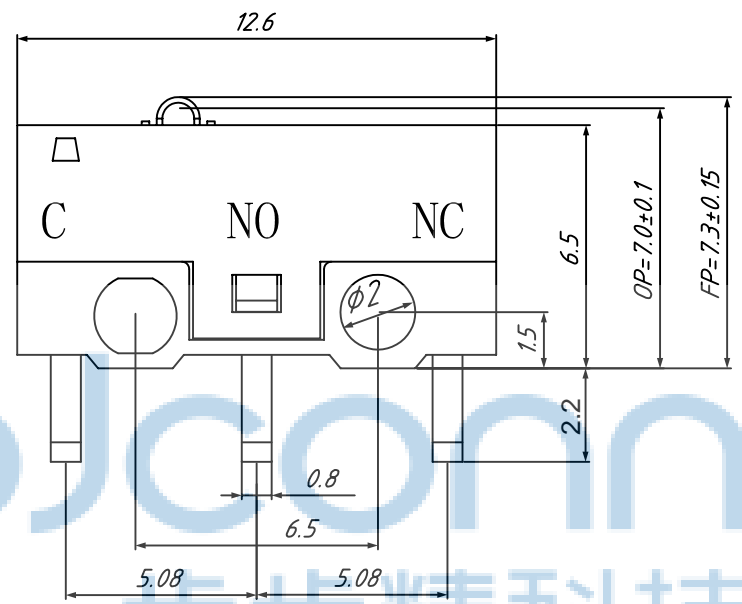
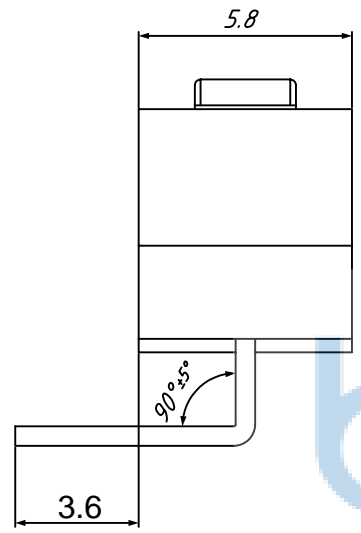
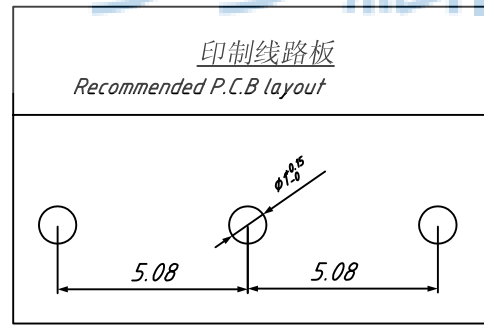
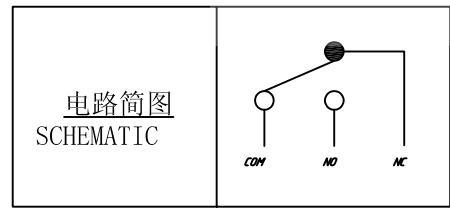


REV.	ECN NO	CONTENT	DATE	ENGINEER
A0		Initial release	/	SGF



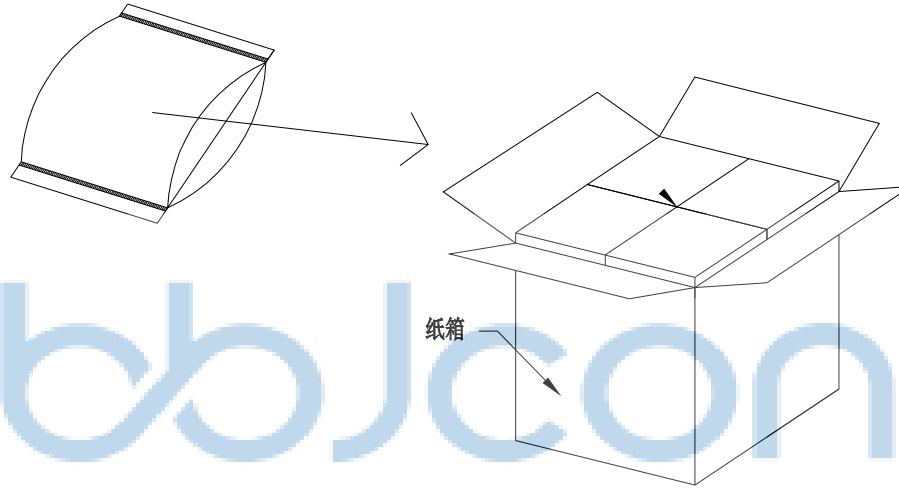
- 1、工作电压 Working Voltage : 125V AC;
- 2、工作电流 Working Current : 1A;
- 3、接触电阻 Contact Resistance : $\leq 30 m\Omega$;
- 4、绝缘电阻 Insulation Resistance : $\geq 100 M\Omega$;
- 5、动作力 Press Force : 60-70gf;
- 6、寿命 Life : >1,000,000次。



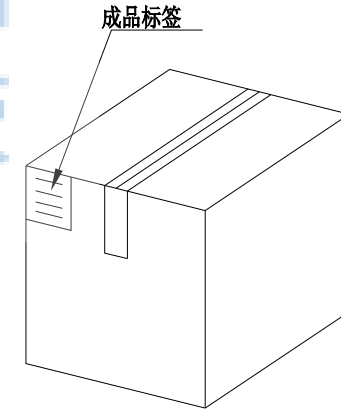
THIS DOCUMENT IS THE SOLE PROPERTY OF BBJconn Technology Co.,Ltd. Corporation AND SHOULD NOT BE USED IN WHOLE OR IN PART WITHOUT PRIOR WRITTEN PERMISSION.		深圳市步步精科技有限公司 NAME: 小微动 不带柄 左弯	
PDWG.NO: 0104-1	DR. SGF	APPD. JM_Zheng CHKD. LYX	PJ. NO.: WK.01.01-11-0002 SIZE: A4 DRW NO.: FINISH: SEE NOTES MAT'L.: SEE NOTES SCALE: N/A REV.: A0 UNIT: mm PAGE: 1/2

REV.	ECN NO	CONTENT	DATE	ENGINEER
A0		Initial release	/	SGF

PE袋规格:***X*** (以实际出货为准)



bbJconn
Since 1987 步步精科技



1. 包装要求:

- 1.1 每PE袋包装 1000 pcs;
- 1.2 每1袋放一小纸盒;
- 1.3 每20个小纸盒放一个纸箱, 共计20000PCS
- 1.4 纸箱外贴上标签



THIS DOCUMENT IS THE SOLE PROPERTY OF BBJconn Technology Co.,Ltd. Corporation AND SHOULD NOT BE USED IN WHOLE OR IN PART WITHOUT PRIOR WRITTEN PERMISSION.		深圳市步步精科技有限公司 .X: ±0.38 X': ±3" .XX: ±0.25 .X": ±2" .XXX: ±0.13 .XX': ±1"		NAME: 小微动 不带柄 左弯	
APPD.	JM_Zheng	PJ. NO.: WK.01.01-11-0002 SIZE: A4 DRW NO.:		FINISH: SEE NOTES MAT'L.: SEE NOTES	
CHKD.	LYX	SCALE: N/A		REV.: A0	UNIT: mm
PDWG.NO:	0104-1	DR.	SGF	PAGE: 2/2	