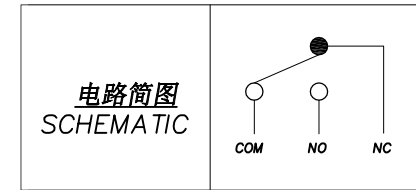
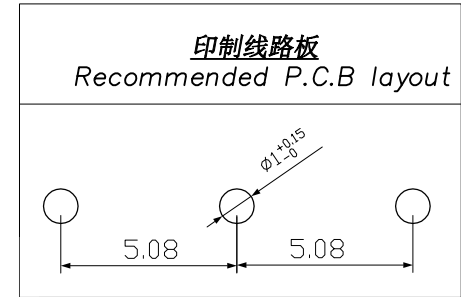
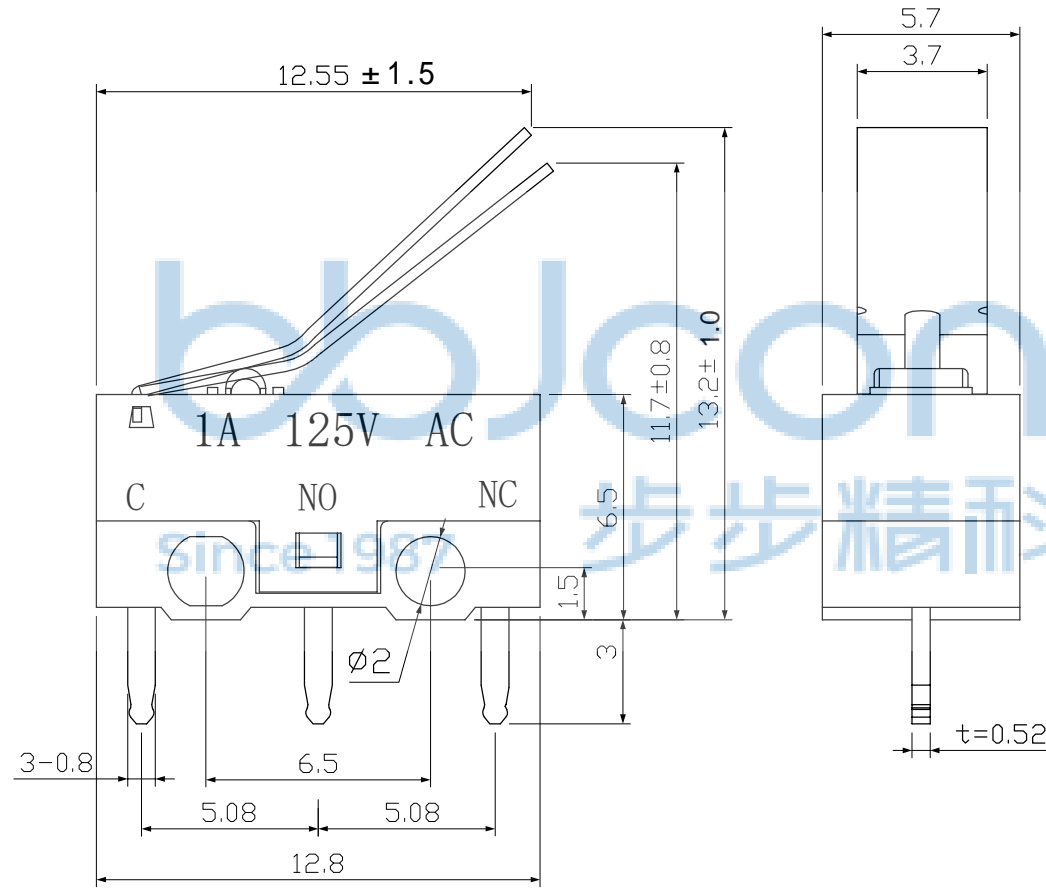


REV.	ECN NO	CONTENT	DATE	ENGINEER
A0		Initial release	/	SGF



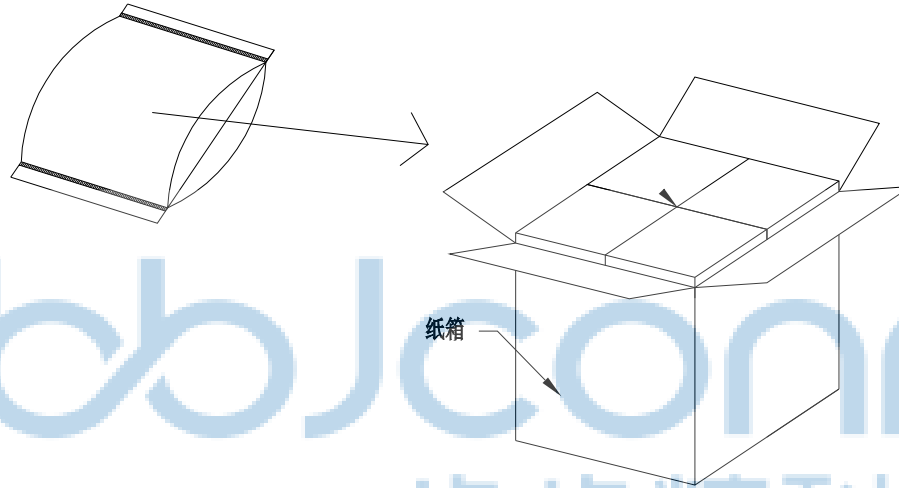
- 1、工作电压 Working Voltage: 30 VDC;
- 2、工作电流 Working Current: 0.05 A;
- 3、接触电阻 Contact Resistance: $\leq 100 \Omega$;
- 4、绝缘电阻 Insulation Resistance: $\geq 100 M\Omega$;
- 5、动作力 Press Force: $30 \pm 15gf$;
- 6、寿命 Life ≥ 1000000 次。



THIS DOCUMENT IS THE SOLE PROPERTY OF BBJconn Technology Co., Ltd. CORPORATION AND SHOULD NOT BE USED IN WHOLE OR IN PART WITHOUT PRIOR WRITTEN PERMISSION.		深圳市步步精科技有限公司 NAME: 小微动翘柄透明基座 柄长L=12.55	
PDWG.NO: 0104-1	DR. SGF	APPD. JM_Zheng CHKD. LYX	PJ. NO.: WK.01.08-11-0001 SIZE: A4 DRW NO.: FINISH: SEE NOTES MAT'L.: SEE NOTES SCALE: N/A REV.: A0 UNIT: mm PAGE: 1/2

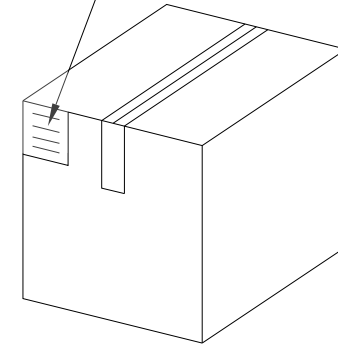
REV.	ECN NO	CONTENT	DATE	ENGINEER
A0		Initial release	/	SGF

PE袋规格: 260*185



bbJconn
Since 1987 步步精科技

成品标签



1. 包装要求:

- 1.1 每PE袋包装1000 pcs;
- 1.2 每1袋放一小纸盒;
- 1.3 每10个小纸盒放一个纸箱, 共计10000PCS
- 1.4 纸箱外贴上标签



THIS DOCUMENT IS THE SOLE PROPERTY OF BBJconn Technology Co.,Ltd. Corporation AND SHOULD NOT BE USED IN WHOLE OR IN PART WITHOUT PRIOR WRITTEN PERMISSION.		深圳市步步精科技有限公司 .X: ±0.38 X': ±3" .XX: ±0.25 X": ±2" .XXX: ±0.13 XX': ±1"		NAME: 小微动翘柄透明基座 柄长L=12.55 PJ. NO.: WK.01.08-11-0001 SIZE: A4 DRW NO.: FINISH: SEE NOTES MAT'L.: SEE NOTES SCALE: N/A REV.: A0 UNIT: mm PAGE: 2/2	
PDWG.NO: 0104-1	DR. SGF	APPD. JM_Zheng	CHKD. LYX		