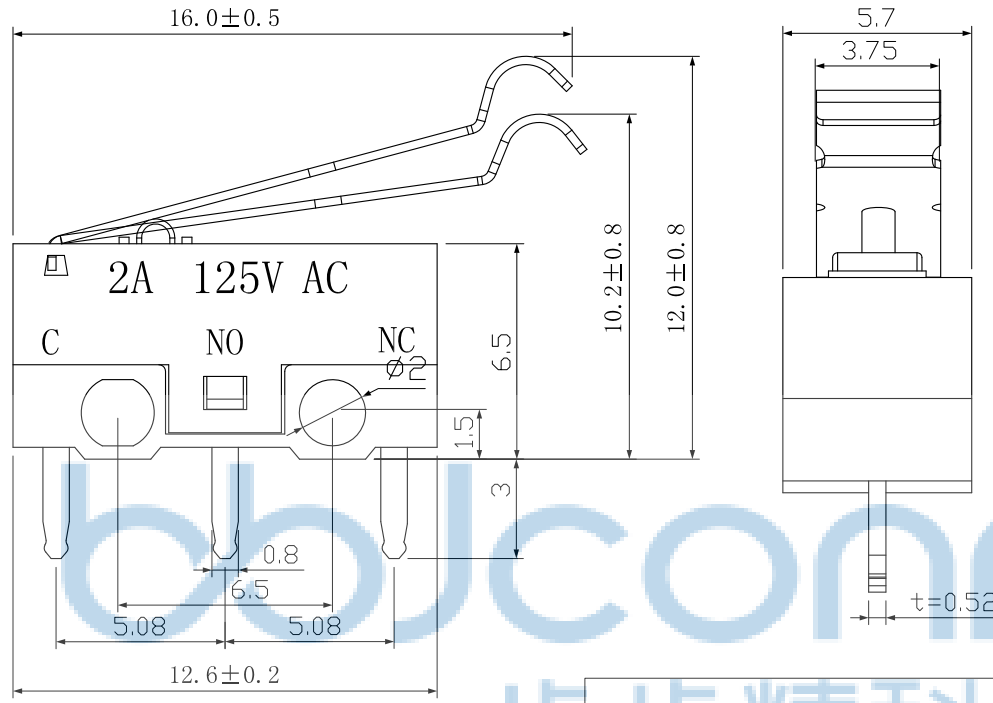
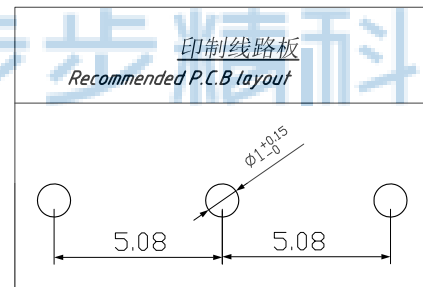
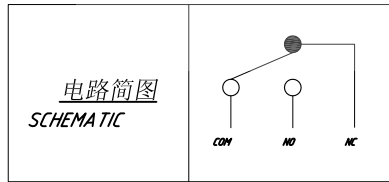
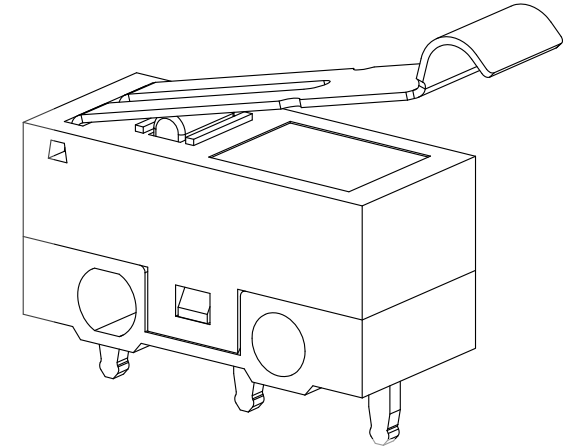


REV.	ECN NO	CONTENT	DATE	ENGINEER
A0		Initial release	/	SGF



- 1、工作电压 Working Voltage : 30V DC;
- 2、工作电流 Working Current: 0.05A;
- 3、接触电阻 Contact Resistance: $\leq 100\text{m}\Omega$;
- 4、绝缘电阻 Insulation Resistance: $\geq 100\text{M}\Omega$;
- 5、动作力 Press Force: $30 \pm 15\text{gf}$;
- 6、寿命 Life: $\geq 100,000$ 次。

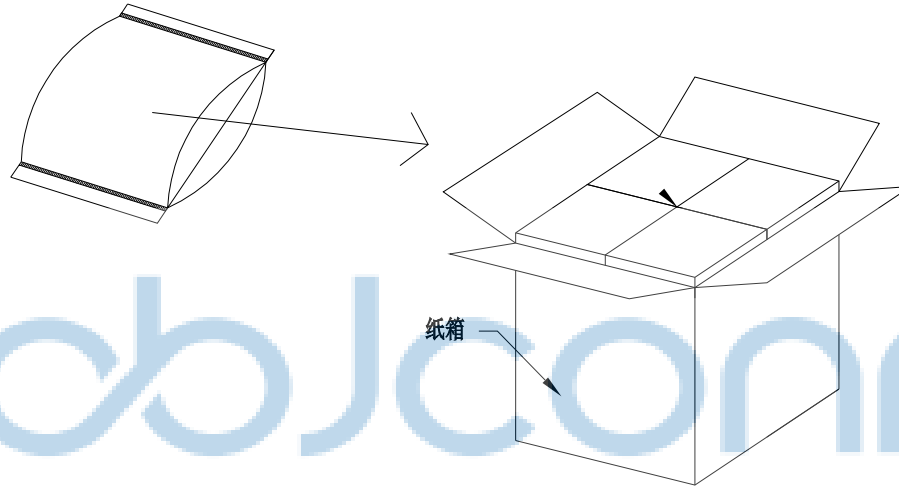


NO.	DESCRIPTION	MATERIAL	COLOR	REMARK
6	盖板	PA66	黑色	-----
5	按柄	POM	红色	-----
4	簧片	磷铜	-----	-----
3	触点	银	-----	-----
2	底座	PA66	白色	-----
1	端子	H62Y 0.5mm	-----	表面镀银

THIS DOCUMENT IS THE SOLE PROPERTY OF BBJconn Technology Co.,Ltd. Corporation AND SHOULD NOT BE USED IN WHOLE OR IN PART WITHOUT PRIOR WRITTEN PERMISSION.		深圳市步步精科技有限公司 .X: ± 0.38 .XX: ± 0.25 .XXX: ± 0.13 X': $\pm 3'$.X': $\pm 2'$.XX': $\pm 1'$		NAME: 小微动弯柄 柄长16.0 白色底座 KW10-02ART08 (TT-08)
APPD.	JM_Zheng	PJ. NO.: WK.01.06-21-0002 SIZE: A4 DRW NO.:		
CHKD.	LYX	FINISH: SEE NOTES MAT'L.: SEE NOTES		
PDWG.NO:	0104-1	DR.	SGF	SCALE: N/A REV.: A0 UNIT: mm PAGE: 1/2

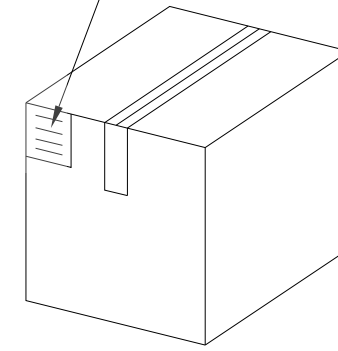
REV.	ECN NO	CONTENT	DATE	ENGINEER
A0		Initial release	/	SGF

PE袋规格:***X*** (以实际出货为准)



bbJconn
Since 1987 步步精科技

成品标签



1. 包装要求:

- 1.1 每PE袋包装 1000PCS;
- 1.2 每1袋放一小纸盒;
- 1.3 每20个小纸盒放一个纸箱, 共计20000PCS
- 1.4 纸箱外贴上标签



THIS DOCUMENT IS THE SOLE PROPERTY OF BBJconn Technology Co.,Ltd. Corporation AND SHOULD NOT BE USED IN WHOLE OR IN PART WITHOUT PRIOR WRITTEN PERMISSION.		深圳市步步精科技有限公司 .X: ±0.38 X': ±3' NAME: .XX: ±0.25 .X": ±2' 小微动弯柄 柄长16.0 白色基座 KW10-02ART08 (TT-08) .XXX: ±0.13 .XX": ±1'			
APPD.	JM_Zheng	PJ. NO.: WK.01.06-21-0002 SIZE: A4 DRW NO.:			
CHKD.	LYX				
PDWG.NO:	0104-1	DR.	SGF	FINISH: SEE NOTES	MAT'L.: SEE NOTES
		SCALE: N/A	REV.: A0	UNIT: mm	PAGE: 2/2