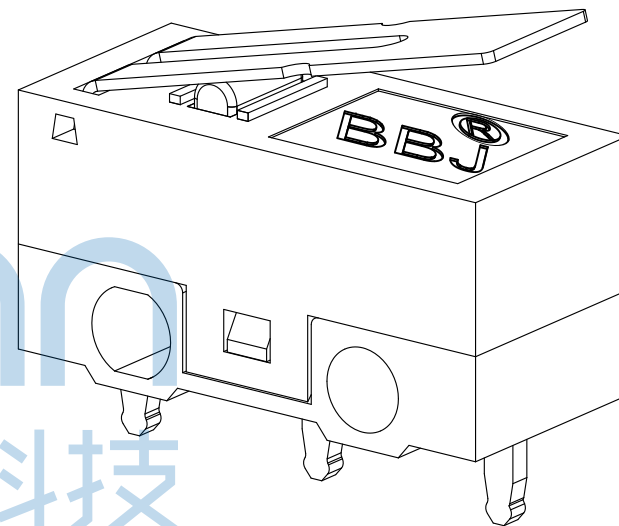
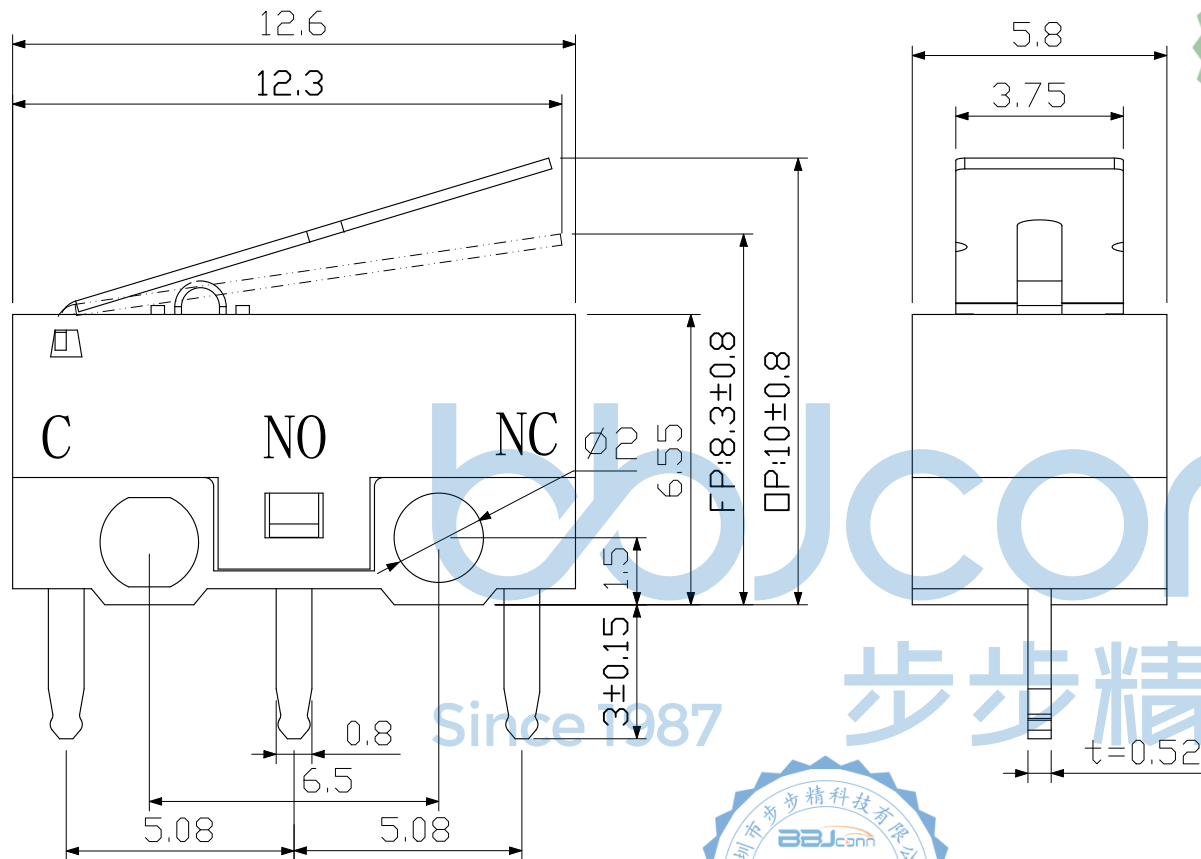


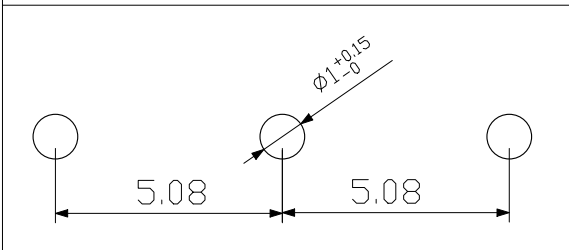
REV.	ECN NO	CONTENT	DATE	ENGINEER
A0		Initial release	/	TSP



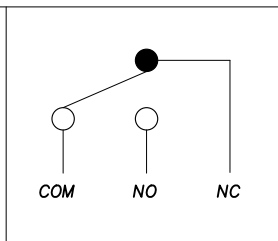
- 1、工作电压 Working Voltage: 30V DC;
- 2、工作电流 Working Current: 50mA;
- 3、接触电阻 Contact Resistance: $\leq 100\text{m}\Omega$;
- 4、绝缘电阻 Insulation Resistance: $\geq 100\text{M}\Omega$;
- 5、动作力 Press Force: $30 \pm 15\text{gf}$;
- 6、寿命 Life: ≥ 1000000 次。



印制线路板
Recommended P.C.B layout



电路简图
SCHEMATIC



NO.	DESCRIPTION	MATERIAL	COLOR	REMARK
7	铁条	SUS	-----	-----
6	盖板	PC	黑色	-----
5	按柄	POM	红色	-----
4	簧片	磷铜	-----	-----
3	触点	包银	-----	-----
2	基座	PA66	白色	-----
1	端子	H62Y 0.5mm	-----	表面镀银

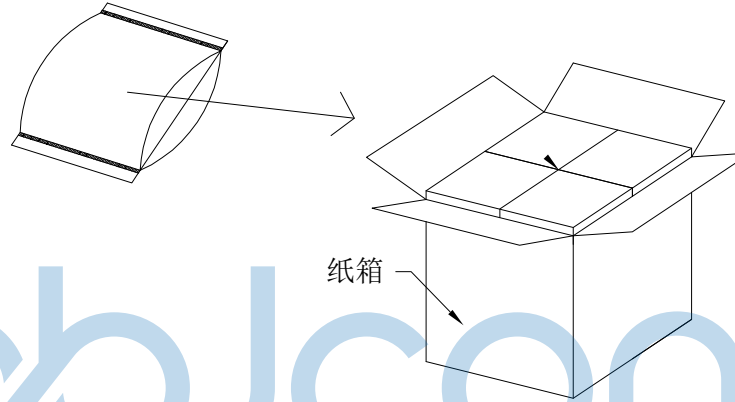
THIS DOCUMENT IS THE SOLE PROPERTY OF BBJconn Technology Co.,Ltd. CORPORATION AND SHOULD NOT BE USED IN WHOLE OR IN PART WITHOUT PRIOR WRITTEN PERMISSION.
PDWG.NO: 0104-1

深圳市步步精科技有限公司

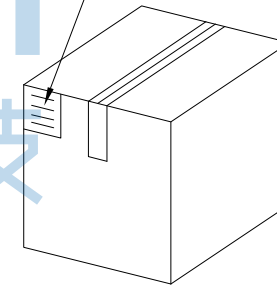
NAME: 微动开关 KW10-D06T02 小微动 带柄 柄长11.7 三脚插 透明基座 袋装	PJ. NO.: WK.01.03-11-0001
APPD. JM_Zheng	SIZE: A4 DRW NO.:
CHKD. LYX	FINISH: SEE NOTES MAT'L.: SEE NOTES
DR. TSP	SCALE: N/A REV.: A0 UNIT: mm PAGE: 1/2

REV.	ECN NO	CONTENT	DATE	ENGINEER
A0		Initial release	/	TSP

PE袋规格: 260*185



成品标签



1. 包装要求:

- 1.1 每个PE袋包装1000pcs;
- 1.2 每1袋放一小纸盒;
- 1.3 每20个小纸盒放一个纸箱, 共计20000pcs;
- 1.4 纸箱外贴上标签



THIS DOCUMENT IS THE SOLE PROPERTY OF BBJconn Technology Co.,Ltd. Corporation AND SHOULD NOT BE USED IN WHOLE OR IN PART WITHOUT PRIOR WRITTEN PERMISSION.		深圳市步步精科技有限公司 .X: ±0.38 .X': ±3" .XX: ±0.25 .X'': ±2" .XXX: ±0.13 .XX': ±1"		NAME: 微动开关 KW10-D06T02 小微动 带柄 柄长11.7 三脚插 透明基座 袋装 PJ. NO.: WK.01.03-11-0001 SIZE: A4 DRW NO.: FINISH: SEE NOTES MAT'L.: SEE NOTES SCALE: N/A REV.: A0 UNIT: mm PAGE: 2/2	
APPD.	JM_Zheng	CHKD.	LYX	DR.	TSP
PDWG.NO:	0104-1				