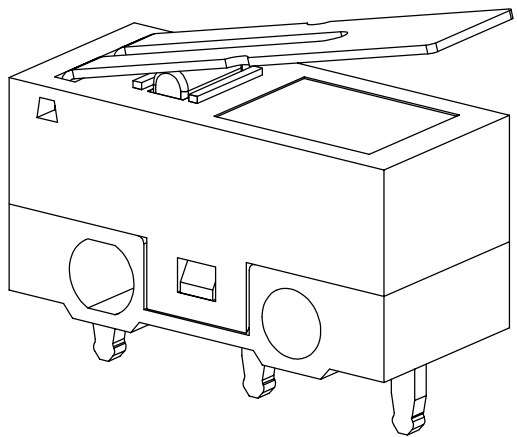
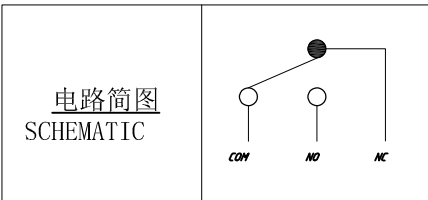
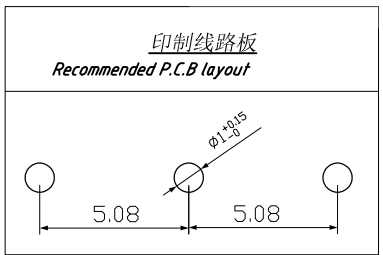


- 1、工作电压 Working Voltage: 30V DC;
- 2、工作电流 Working Current: 50mA;
- 3、接触电阻 Contact Resistance:  $\leq 100m\Omega$ ;
- 4、绝缘电阻 Insulation Resistance:  $\geq 100M\Omega$ ;
- 5、动作力 Press Force:  $30 \pm 15gf$ ;
- 6、寿命 Life:  $\geq 1000000$ 次。



Since 1987

步步精科技



7	铁条	SUS201	-----	-----
6	盖板	Pa66	黑色	-----
5	按柄	Pa66	红色	-----
4	簧片	铍铜	-----	-----
3	触点	纯银	-----	-----
2	底座	PPA	黑色	-----
1	端子	H62Y 0.5mm	-----	表面镀银
NO.	DESCRIPTION	MATERIAL	COLOR	REMARK

THIS DOCUMENT IS THE SOLE PROPERTY OF BBJconn Technology Co.,Ltd. Corporation AND SHOULD NOT BE USED IN WHOLE OR IN PART WITHOUT PRIOR WRITTEN PERMISSION.

PDWG.NO: 0104-1

APPD. JM\_Zheng

CHKD. LYX

DR. SGF

**深圳市步步精科技有限公司**

NAME: 小微动带柄 全黑上下座 1.5脚 铍铜 无唛 (耐高温)

PJ. NO.: WK.01.02-31-0011

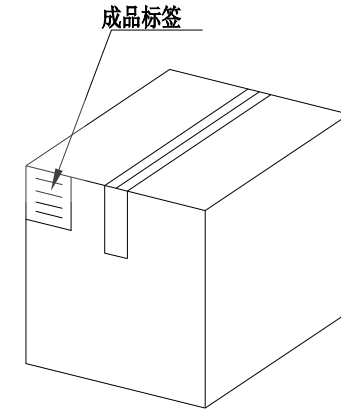
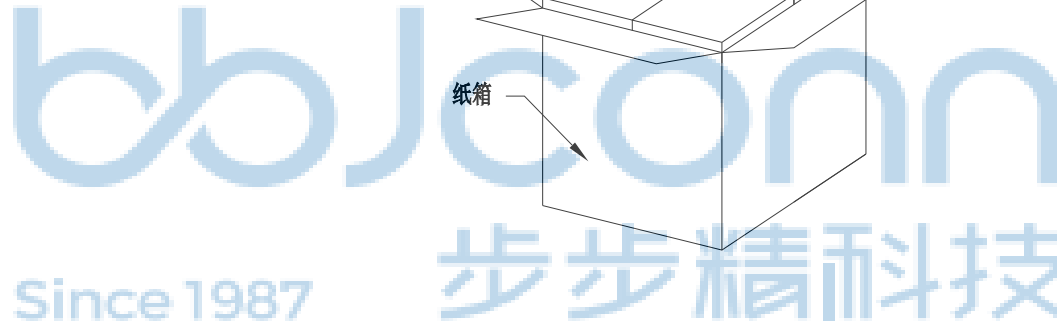
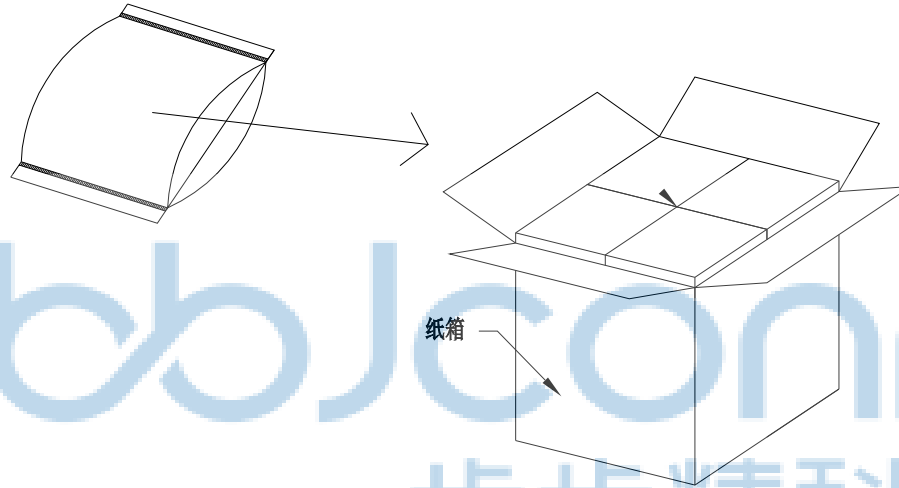
SIZE: A4 DRW NO.:

FINISH: SEE NOTES MAT'L.: SEE NOTES

SCALE: N/A REV.: A0 UNIT: mm PAGE: 1/2

REV.	ECN NO	CONTENT	DATE	ENGINEER
A0		Initial release	/	SGF

PE袋规格:\*\*\*X\*\*\* (以实际出货为准)



1. 包装要求:

- 1.1 每PE袋包装1000pcs;
- 1.2 每1袋放一小纸盒;
- 1.3 每20个小纸盒放一个纸箱, 共计20000PCS
- 1.4 纸箱外贴上标签



THIS DOCUMENT IS THE SOLE PROPERTY OF BBJconn Technology Co.,Ltd. Corporation AND SHOULD NOT BE USED IN WHOLE OR IN PART WITHOUT PRIOR WRITTEN PERMISSION.		深圳市步步精科技有限公司 .X: ±0.38 X': ±3' .XX: ±0.25 X'': ±2' .XXX: ±0.13 XX': ±1'		NAME: 小微动带柄 全黑上下座 1.5脚 镀铜 无唛 (耐高温)	
APPD.	JM_Zheng	PJ. NO.: WK.01.02-31-0011		SIZE: A4 DRW NO.:	
CHKD.	LYX	FINISH: SEE NOTES		MAT'L.: SEE NOTES	
PDWG.NO:	0104-1	DR.	SGF	SCALE: N/A	REV.: A0 UNIT: mm PAGE: 2/2