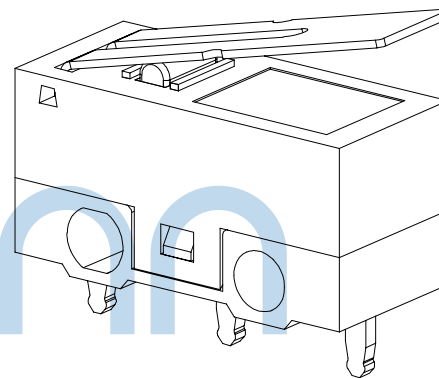
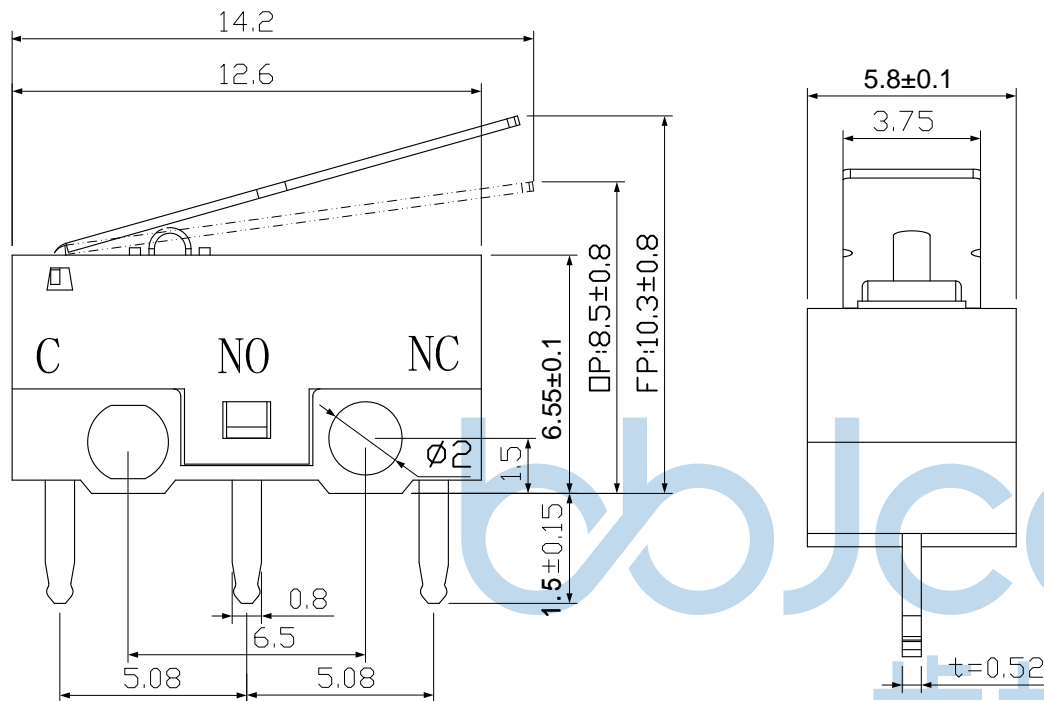


REV.	ECN NO.	CONTENT	DATE	ENGINEER
A0		Initial Release	/	LHC

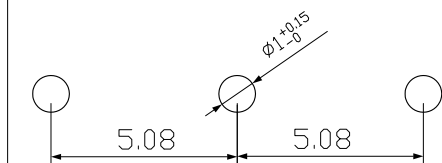
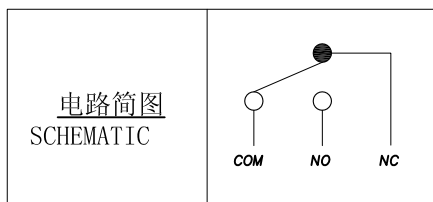
- 1、工作电压 Working Voltage: 30V DC;
- 2、工作电流 Working Current: 50mA;
- 3、接触电阻 Contact Resistance: $\leq 100m\Omega$;
- 4、绝缘电阻 Insulation Resistance: $\geq 100M\Omega$;
- 5、动作力 Press Force: $30\pm 15gf$;
- 6、寿命 Life: $\geq 1000,000$ 次。



Since 1987

步步精科技

印制线路板
Recommended P.C.B layout



7	铁条	SUS	-----	-----
6	盖板	PA66	黑色	-----
5	按柄	POM	红色	-----
4	簧片	磷铜	-----	-----
3	触点	包银	-----	-----
2	基座	PA66	透明	-----
1	端子	H62Y 0.5mm	-----	表面镀银
NO.	DESCRIPTION	MATERIAL	COLOR	REMARK



THIS DOCUMENT IS THE SOLE PROPERTY OF BBJconn Technology Co., Ltd. Corporation AND SHOULD NOT BE USED IN WHOLE OR IN PART WITHOUT PRIOR WRITTEN PERMISSION.

PDWG.No: 0104-1

深圳市步步精科技有限公司

NAME: 小微动 带柄 透明座 1.5脚 无唛

APPD. JM_Zheng

CHKD. LYX

DR. LHC

PJ. NO.: WK.01.02-11-0010

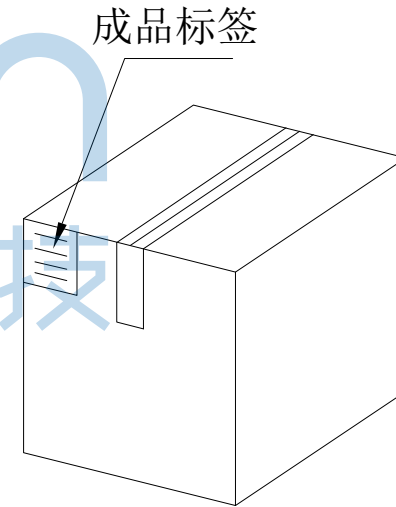
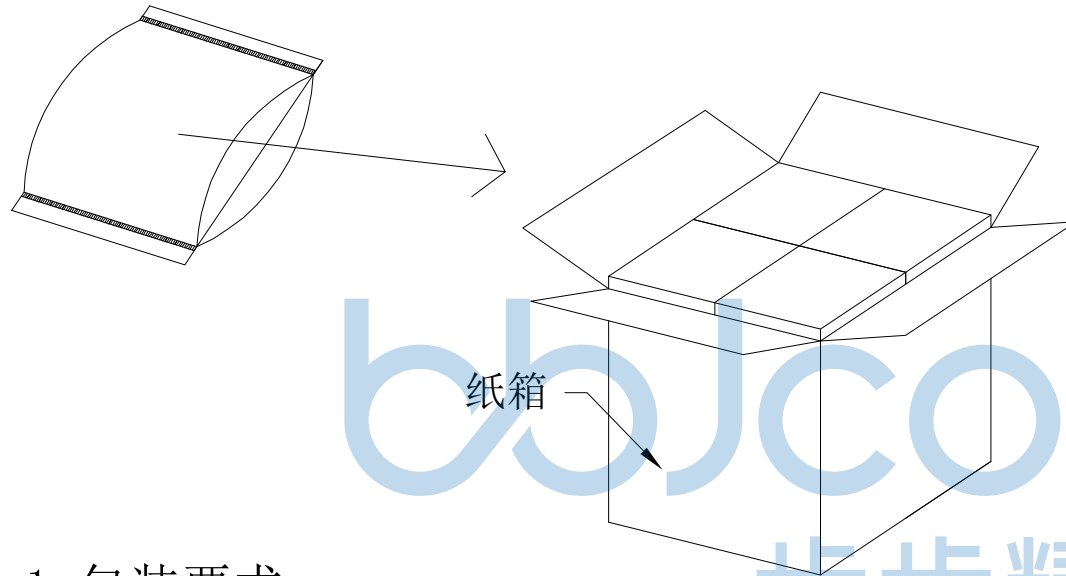
SIZE: A4 DRW NO.:

FINISH: SEE NOTES MAT'L.: SEE NOTES

SCALE: N/A REV.: A0 UNIT: mm PAGE: 1/2

REV.	ECN NO	CONTENT	DATE	ENGINEER
A0		Initial Release	/	LHC


PE袋规格: 260*185



1. 包装要求:

- 1.1 每个PE袋包装1000 pcs ;
- 1.2 每1袋放一小纸盒;
- 1.3 每20个小纸盒放一个纸箱, 共计20000 pcs ;
- 1.4 纸箱外贴上标签



THIS DOCUMENT IS THE SOLE PROPERTY OF BBJconn Technology Co.,Ltd. Corporation AND SHOULD NOT BE USED IN WHOLE OR IN PART WITHOUT PRIOR WRITTEN PERMISSION.		 深圳市步步精科技有限公司	
PDWG.NO: 0104-1		APPD. JM_Zheng CHKD. LYX DR. LHC	NAME: 小微动 带柄 透明座 1.5脚 无唛 PJ. NO.: WK.01.02-11-0010 SIZE: A4 DRW NO.: FINISH: SEE NOTES MAT'L.: SEE NOTES SCALE: N/A REV.: A0 UNIT: mm PAGE: 2/2