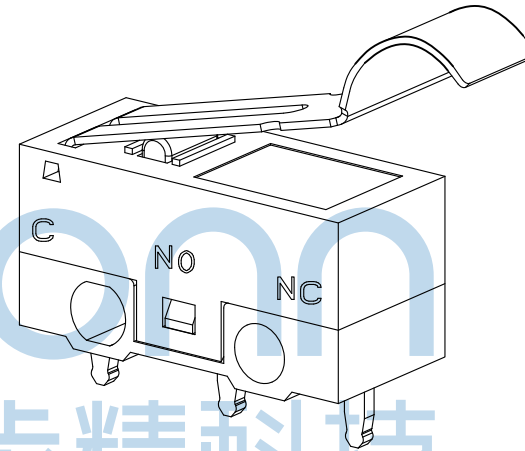
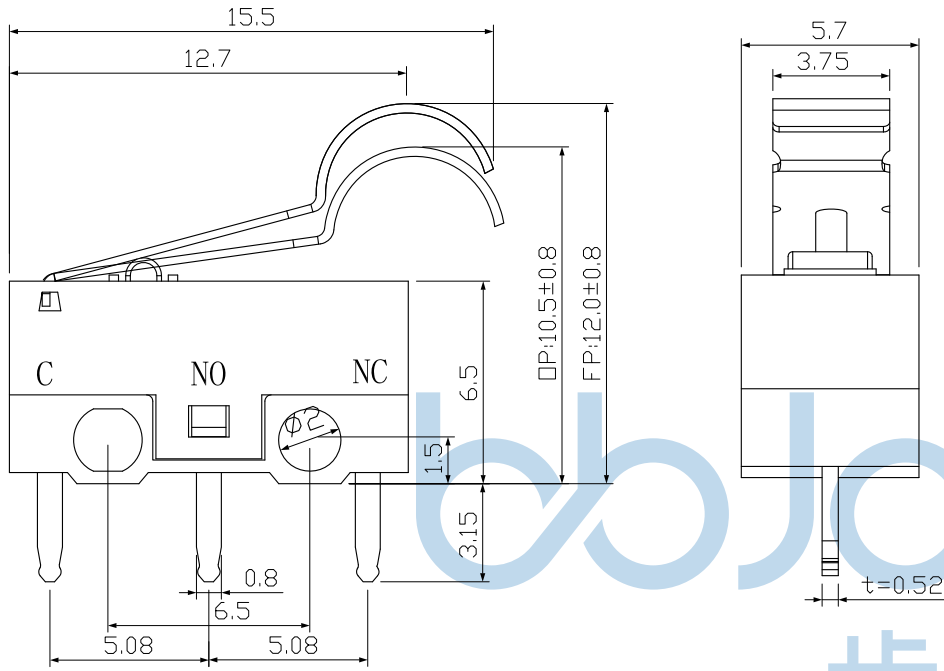
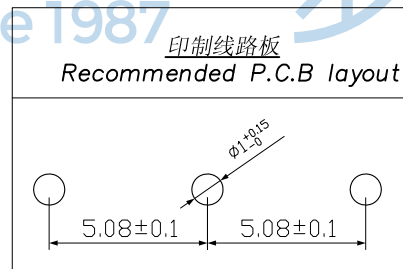
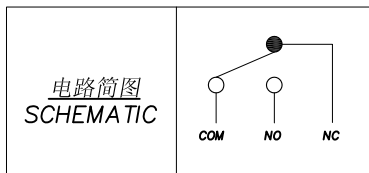


REV.	ECN NO.	CONTENT	DATE	ENGINEER
A0		Initial release	/	TSP

- 1、工作电压 Working Voltage: 30V DC;
- 2、工作电流 Working Current: 0.05A;
- 3、接触电阻 Contact Resistance: $\leq 100m\Omega$;
- 4、绝缘电阻 Insulation Resistance: $\geq 100M\Omega$;
- 5、动作力 Press Force: $30 \pm 15gf$;
- 6、寿命 Life: ≥ 1000000 次。



Since 1987 步步精科技



7	铁条	SUS	-----	-----
6	盖板	PA66	黑色	-----
5	按柄	POM	红色	-----
4	簧片	磷铜	-----	-----
3	触点	纯银	-----	-----
2	基座	PPA	白色	-----
1	端子	H62Y	-----	表面镀银
NO.	DESCRIPTION	MATERIAL	COLOR	REMARK



THIS DOCUMENT IS THE SOLE PROPERTY OF BBJconn Technology Co.,Ltd. Corporation AND SHOULD NOT BE USED IN WHOLE OR IN PART WITHOUT PRIOR WRITTEN PERMISSION.

PDWG.NO: 0104-1

深圳市步步精科技有限公司

NAME: 微动开关 小微动 KW10-D07T15 弯柄 三脚插 T15铁条 PPA白色基座 袋装

APPD. JM_Zheng

CHKD. LYX

DR. TSP

PJ. NO.: 906-011-060001-Q7G

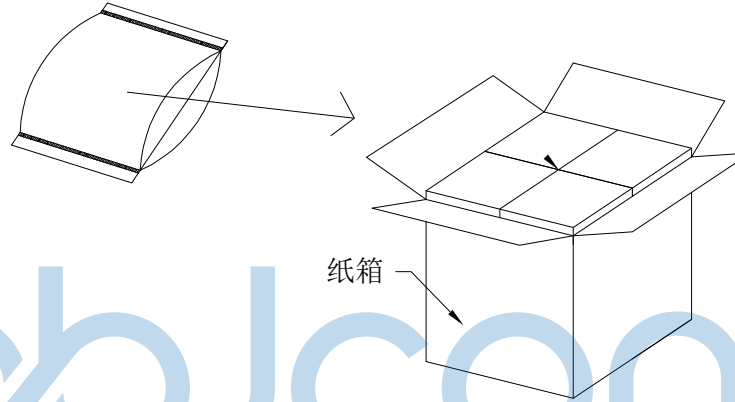
SIZE: A4 | DRW NO.:

FINISH: SEE NOTES | MAT'L.: SEE NOTES

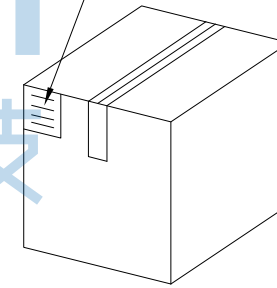
SCALE: N/A | REV.: A0 | UNIT: mm | PAGE: 1/2

REV.	ECN NO	CONTENT	DATE	ENGINEER
A0		Initial release	/	TSP

PE袋规格: 260*185



成品标签



1. 包装要求:

- 1.1 每个PE袋包装1000pcs;
- 1.2 每1袋放一小纸盒;
- 1.3 每20个小纸盒放一个纸箱, 共计20000pcs;
- 1.4 纸箱外贴上标签



THIS DOCUMENT IS THE SOLE PROPERTY OF BBJconn Technology Co.,Ltd. Corporation AND SHOULD NOT BE USED IN WHOLE OR IN PART WITHOUT PRIOR WRITTEN PERMISSION.		深圳市步步精科技有限公司 .X: ±0.38 .X': ±3" .XX: ±0.25 .X'': ±2" .XXX: ±0.13 .XX': ±1"		NAME: 微动开关 小微动 KW10-D07T15 弯柄 三脚插 T15铁条 PPA白色基座 袋装 PJ. NO.: 906-011-060001-Q7G SIZE: A4 DRW NO.:	
APPD.	JM_Zheng			FINISH: SEE NOTES MAT'L.: SEE NOTES	
CHKD.	LYX	PDWG.NO: 0104-1		DR.	TSP
		SCALE: N/A	REV.: A0	UNIT: mm	PAGE: 2/2