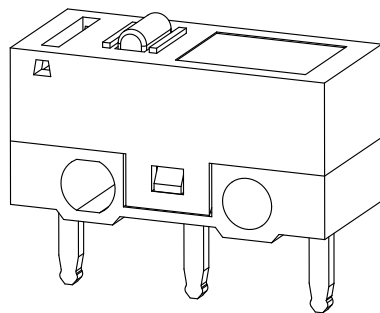
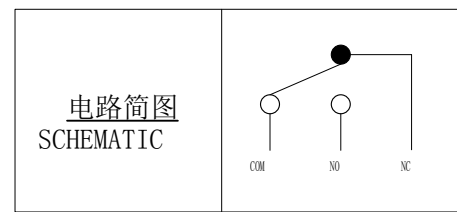
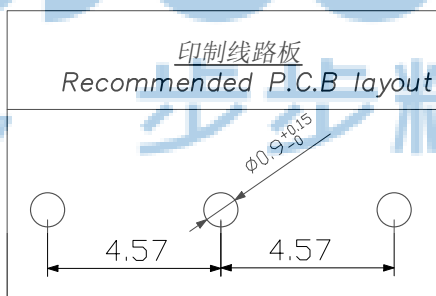
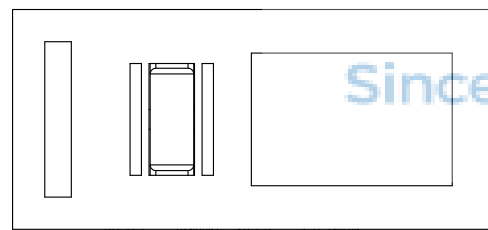
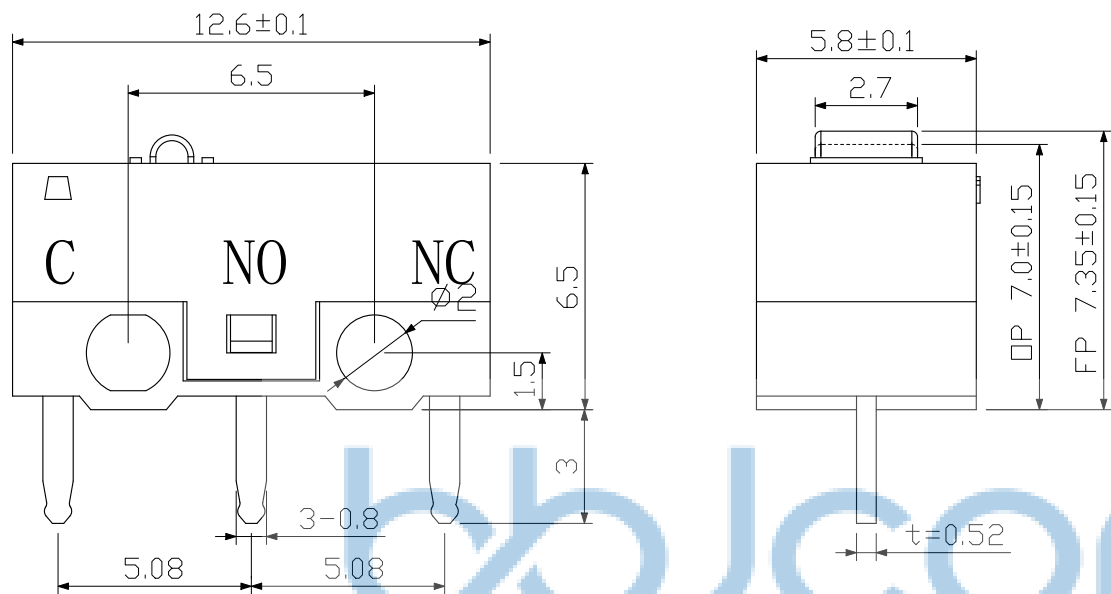


REV.	ECN NO	CONTENT	DATE	ENGINEER
A0				

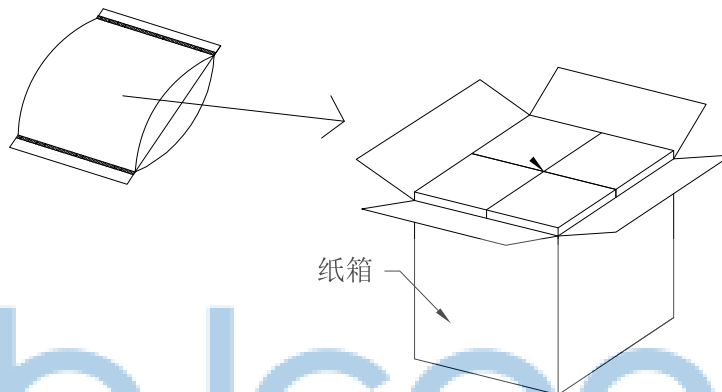
- 1、工作电压 Working Voltage : 30V DC;
- 2、工作电流 Working Current: 1A;
- 3、接触电阻 Contact Resistance: $\leq 100\text{m}\Omega$;
- 4、绝缘电阻 Insulation Resistance: $\geq 100\text{M}\Omega$;
- 5、动作力 Press Force: $100 \pm 10\text{gf}$;
- 6、寿命 Life: $\geq 1,000,000$ 次。



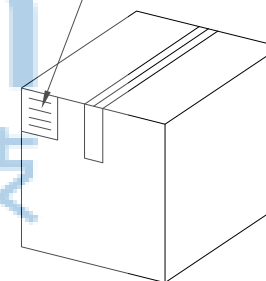
THIS DOCUMENT IS THE SOLE PROPERTY OF BBJconn Technology Co.,Ltd. Corporation AND SHOULD NOT BE USED IN WHOLE OR IN PART WITHOUT PRIOR WRITTEN PERMISSION.		深圳市步步精科技有限公司 .X: ± 0.38 .XX: ± 0.25 .XXX: ± 0.13 X': $\pm 3'$ X'': $\pm 2'$ XX': $\pm 1'$		NAME: 小微动不带柄透明基座-KW10-01AR (寿命100万次) PJ. NO.: WK.01.01-11-0005 SIZE: A4 DRW NO.: FINISH: SEE NOTES MAT'L.: SEE NOTES	
APPD.	JM_Zheng	DR.		LYX	SCALE: N/A REV.: A0 UNIT: mm PAGE: 1/2
PDWG.NO:	0104-1	CHKD.	TSP		

REV.	ECN NO	CONTENT	DATE	ENGINEER
A0				

PE袋规格: 260*185



成品标签



1. 包装要求:

- 1.1 每个PE袋包装1000PCS;
- 1.2 每1袋放一小纸盒;
- 1.3 每20个小纸盒放一个纸箱, 共计20000PCS ;
- 1.4 纸箱外贴上标签



THIS DOCUMENT IS THE SOLE PROPERTY OF		深圳市步步精科技有限公司	
BBJconn Technology Co., Ltd. Corporation AND SHOULD NOT BE USED IN WHOLE OR IN PART WITHOUT PRIOR WRITTEN PERMISSION.		NAME: 小微动不带柄透明基座-KW10-01AR (寿命100万次)	
PDWG.NO: 0104-1		APPD. JM_Zheng	PJ. NO.: WK.01.01-11-0005
		CHKD. TSP	SIZE: A4 DRW NO.:
		DR. LYX	FINISH: SEE NOTES MAT'L.: SEE NOTES
			SCALE: N/A REV.: A0 UNIT: mm PAGE: 2/2