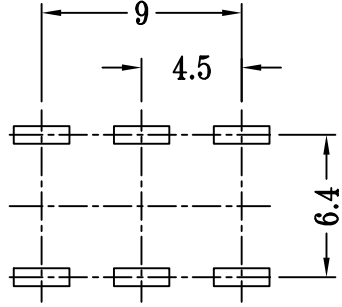
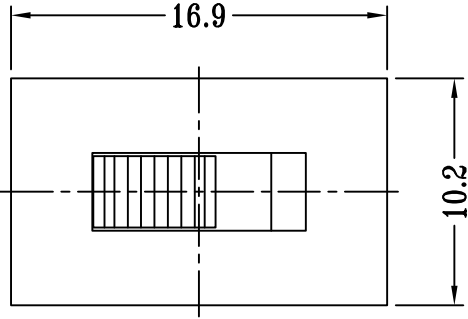


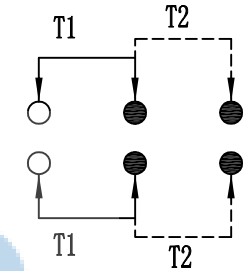
REV.	ECN NO	CONTENT	DATE	ENGINEER
A0		Initial release	/	SGF

额定值：0.3A 50VDC
 接触电阻：100m max
 绝缘电阻：100M MIN
 耐电压：AC 500V
 寿命：10000
 工作温度：-25 +85

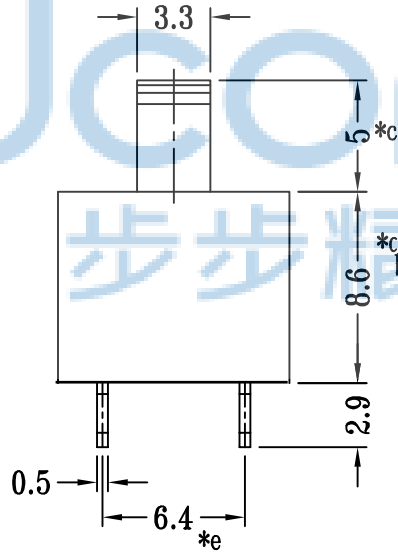
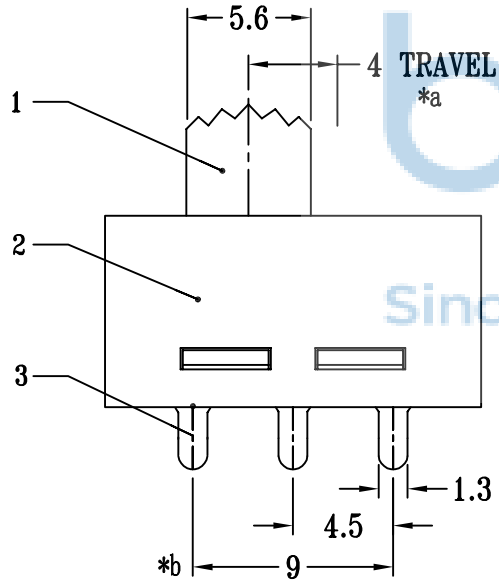


**P.C.B LAYOUT
BOTTOM VIEW**

注：“*”表示关键尺寸(5个)



SCHEMATIC (NON-SHORTING)

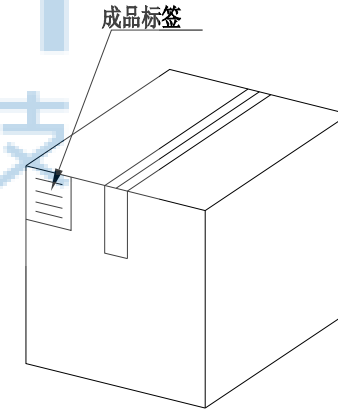
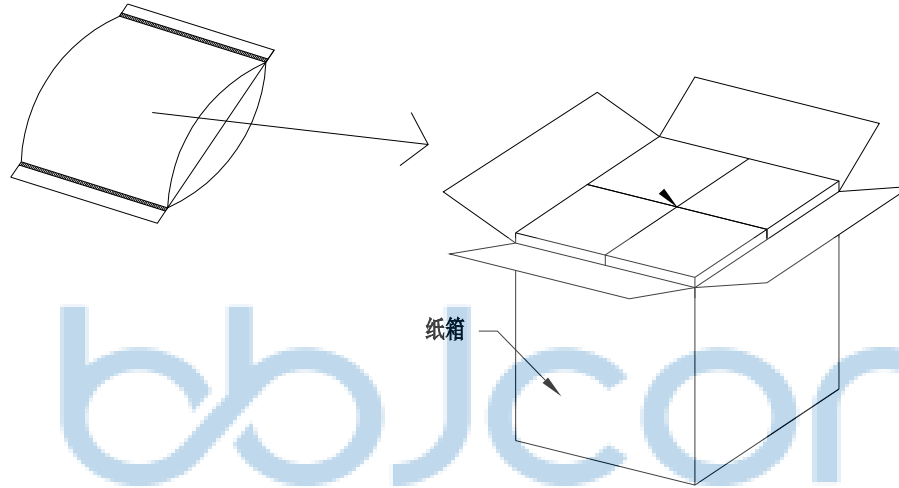


NO.	PARTS	MATERIALS	Q'TY	FINISH
8	STEEL BALL	STEEL	1	Ni PLATED
7	SPRING PLATE 2	PBS STRIP	1	NATURAL
6	SPRING PLATE 1	PBS STRIP	4	NATURAL
5	CONTACT	COPPER STRIP	2	Ag PLATED
4	BASE	PPS	1	WHITE
3	TERMINAL	BRASS STRIP	6	Ag PLATED
2	FRAME	PA66+94V0	1	WHITE
1	KNOB	PA66+94V0	1	WHITE

THIS DOCUMENT IS THE SOLE PROPERTY OF BBJconn Technology Co.,Ltd. Corporation AND SHOULD NOT BE USED IN WHOLE OR IN PART WITHOUT PRIOR WRITTEN PERMISSION.		深圳市步步精科技有限公司 NAME: 拨动开关 SS22H30G5-B 六脚插 黑色	
APPD.	JM_Zheng	PJ. NO.: SS.02.03-06-1001	
CHKD.	LYX	SIZE: A4 DRW NO.:	
PDWG.NO:	0101-1	DR.	SGF
		FINISH:	SEE NOTES
		MAT'L.:	SEE NOTES
		SCALE:	N/A
		REV.:	A0
		UNIT:	mm
		PAGE:	1/2

REV.	ECN NO	CONTENT	DATE	ENGINEER
A0		Initial release	/	SGF

PE袋规格:***X*** (以实际出货为准)



1. 包装要求:

- 1.1 每PE袋包装 1000 pcs;
- 1.2 每1袋放一小纸盒;
- 1.3 每20个小纸盒放一个纸箱, 共计20000PCS
- 1.4 纸箱外贴上标签



THIS DOCUMENT IS THE SOLE PROPERTY OF BBJconn Technology Co.,Ltd. Corporation AND SHOULD NOT BE USED IN WHOLE OR IN PART WITHOUT PRIOR WRITTEN PERMISSION.		深圳市步步精科技有限公司 .X: ±0.38 X': ±3' NAME: .XX: ±0.25 X'': ±2' 拨动开关 SS22H30G5-B 六脚插 黑色 .XXX: ±0.13 XX': ±1'	
APPD.	JM_Zheng	PJ. NO.: SS.02.03-06-1001	
CHKD.	LYX	SIZE: A4 DRW NO.:	
PDWG.NO:	0101-1	DR.	SGF
		FINISH: SEE NOTES MAT'L.: SEE NOTES	
		SCALE: N/A REV.: A0 UNIT: mm PAGE: 2/2	