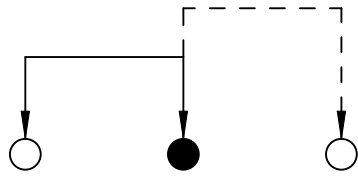
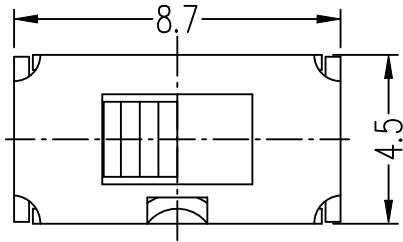


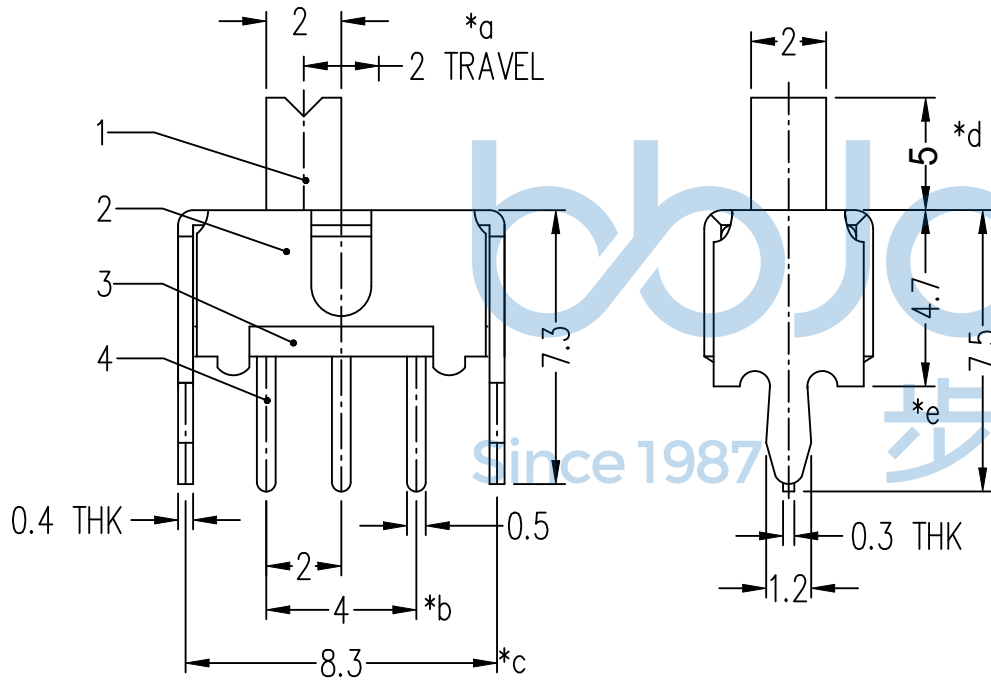
REV.	ECN NO	CONTENT	DATE	ENGINEER
A0		Initial release	/	TSP



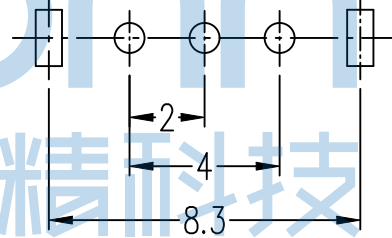
SCHEMATIC (NON-SHORTING)

额定值: 0.3A 50VDC  
 接触电阻: 100m max  
 绝缘电阻: 100M MIN  
 耐电压: AC 500V  
 寿命: 10000  
 工作温度: -25 +85

注: “\*”表示关键尺寸 (5个)



P.C.B LAYOUT  
BOTTOM VIEW

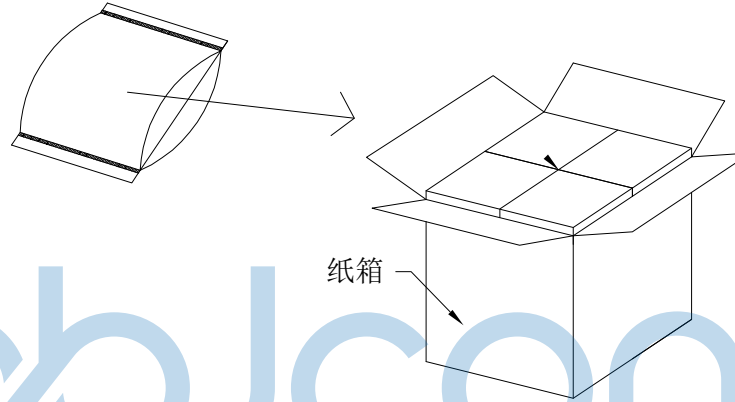


8				
7				
6				
5	CONTACT CLIP	PBS STRIP	1	Ag CLAD
4	TERMINAL	BRASS STRIP	3	Ag PLATED
3	BASE	PHENOLIC RESIN	1	NATURAL
2	FRAME	STEEL STRIP	1	Ni PLATED
1	KNOB	PA66	1	BLACK
NO.	PARTS	MATERIALS	Q'TY	FINISH

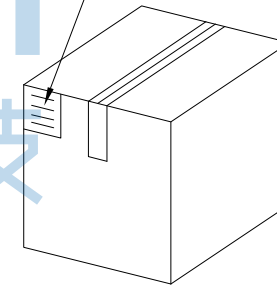
THIS DOCUMENT IS THE SOLE PROPERTY OF BBJconn Technology Co.,Ltd. Corporation AND SHOULD NOT BE USED IN WHOLE OR IN PART WITHOUT PRIOR WRITTEN PERMISSION.		<b>深圳市步步精科技有限公司</b>	
.X: ±0.38 .XX: ±0.25 .XXX: ±0.13		X': ±3' X'': ±2' XX': ±1'	
APPD.	JM_Zheng	NAME: 拨动开关 SS12D07V65 高温金码 三脚直插 间距2.0 袋装	
CHKD.	LYX	PJ. NO.: SS.02.02-06-1001	
DR.	TSP	SIZE: A4 DRW NO.:	
PDWG.NO: 0101-1		FINISH: SEE NOTES MAT'L.: SEE NOTES	
		SCALE: N/A REV.: A0 UNIT: mm PAGE: 1/2	

REV.	ECN NO	CONTENT	DATE	ENGINEER
A0		Initial release	/	TSP

PE袋规格: 260\*185



成品标签



1. 包装要求:

- 1.1 每个PE袋包装1000pcs;
- 1.2 每1袋放一小纸盒;
- 1.3 每20个小纸盒放一个纸箱, 共计20000pcs;
- 1.4 纸箱外贴上标签



THIS DOCUMENT IS THE SOLE PROPERTY OF BBJconn Technology Co.,Ltd. Corporation AND SHOULD NOT BE USED IN WHOLE OR IN PART WITHOUT PRIOR WRITTEN PERMISSION.		深圳市步步精科技有限公司 .X: ±0.38    X': ±3" .XX: ±0.25    X'': ±2" .XXX: ±0.13    XX': ±1"		NAME: 拨动开关 SS12D07V65 高温金码 三脚直插 间距2.0 袋装 PJ. NO.: SS.02.02-06-1001 SIZE: A4   DRW NO.: FINISH: SEE NOTES   MAT'L.: SEE NOTES SCALE: N/A   REV.: A0   UNIT: mm   PAGE: 2/2	
APPD.	JM_Zheng				
CHKD.	LYX				
PDWG.NO:	0101-1	DR.	TSP		