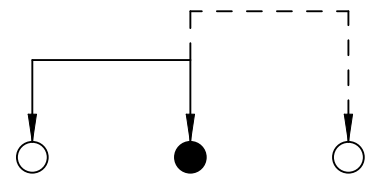
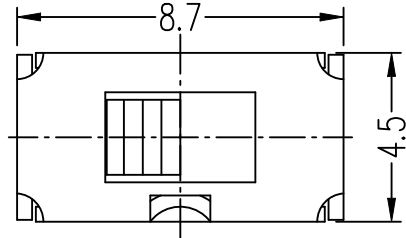


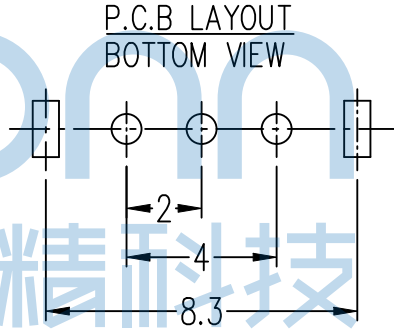
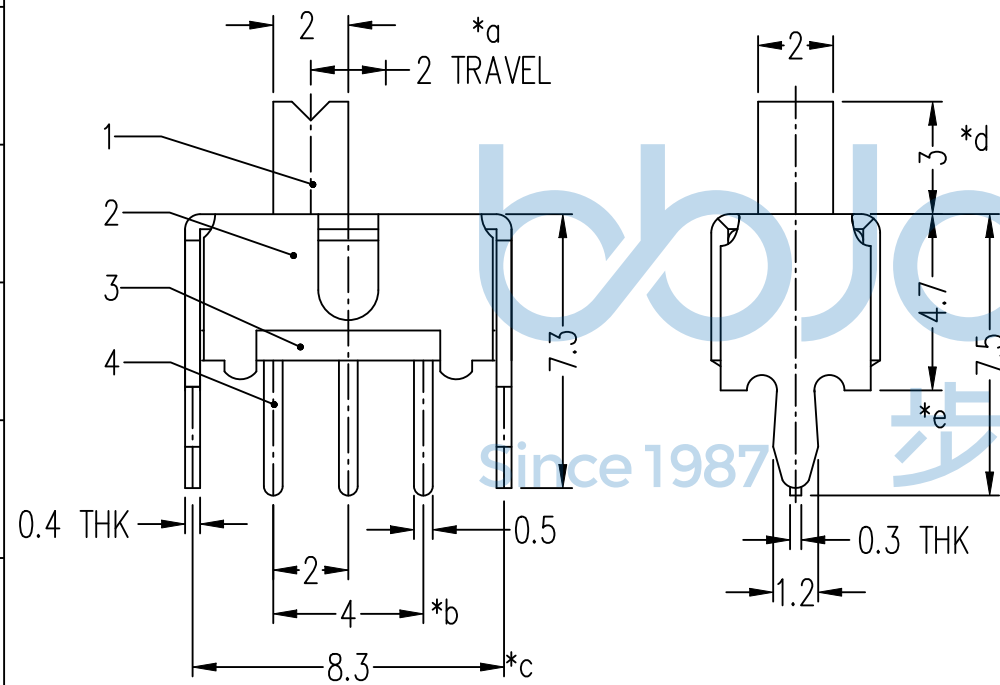
REV.	ECN NO.	CONTENT	DATE	ENGINEER
A0		Initial release	/	TSP

额定值：0.3A 50VDC
 接触电阻：100m max
 绝缘电阻：100M MIN
 耐电压：AC 500V
 寿命：10000
 工作温度：-25 +85

注：“*”表示关键尺寸 (5个)



SCHEMATIC (NON-SHORTING)

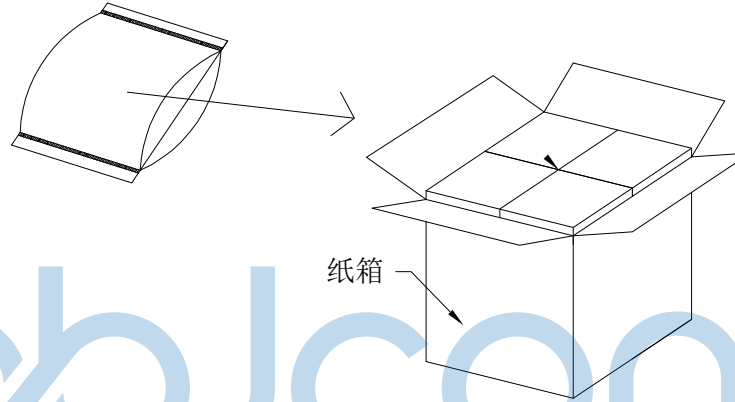


NO.	PARTS	MATERIALS	Q'TY	FINISH
8				
7				
6				
5	CONTACT CLIP	PBS STRIP	1	Ag CLAD
4	TERMINAL	BRASS STRIP	3	Ag PLATED
3	BASE	PHENOLIC RESIN	1	NATURAL
2	FRAME	STEEL STRIP	1	Ni PLATED
1	KNOB	PA66	1	BLACK

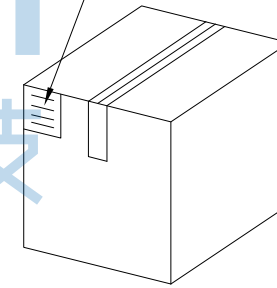
THIS DOCUMENT IS THE SOLE PROPERTY OF BBJconn Technology Co.,Ltd. Corporation AND SHOULD NOT BE USED IN WHOLE OR IN PART WITHOUT PRIOR WRITTEN PERMISSION.		深圳市步步精科技有限公司 .X: ±0.38 .X': ±3" .XX: ±0.25 .X'': ±2" .XXX: ±0.13 .XX': ±1"		NAME: 拨动开关 SS12D07VG3 高温金码 三脚直插 间距2.0 袋装	
APPD.	JM_Zheng	PJ. NO.: SS.02.02-04-1001		SIZE: A4 DRW NO.:	
CHKD.	LYX	FINISH: SEE NOTES MAT'L.: SEE NOTES		SCALE: N/A REV.: A0 UNIT: mm PAGE: 1/2	
PDWG.NO:	0101-1	DR.	TSP		

REV.	ECN NO	CONTENT	DATE	ENGINEER
A0		Initial release	/	TSP

PE袋规格: 260*185



成品标签



1. 包装要求:

- 1.1 每个PE袋包装1000pcs;
- 1.2 每1袋放一小纸盒;
- 1.3 每20个小纸盒放一个纸箱, 共计20000pcs;
- 1.4 纸箱外贴上标签



THIS DOCUMENT IS THE SOLE PROPERTY OF BBJconn Technology Co.,Ltd. Corporation AND SHOULD NOT BE USED IN WHOLE OR IN PART WITHOUT PRIOR WRITTEN PERMISSION.		深圳市步步精科技有限公司 .X: ±0.38 .X': ±3" .XX: ±0.25 .X": ±2" .XXX: ±0.13 .XX': ±1"		NAME: 拨动开关 SS12D07VG3 高温金码 三脚直插 间距2.0 袋装	
APPD.	JM_Zheng	PJ. NO.: SS.02.02-04-1001		SIZE: A4 DRW NO.:	
CHKD.	LYX	FINISH: SEE NOTES		MAT'L.: SEE NOTES	
PDWG.NO:	0101-1	DR.	TSP	SCALE: N/A	REV.: A0 UNIT: mm PAGE: 2/2