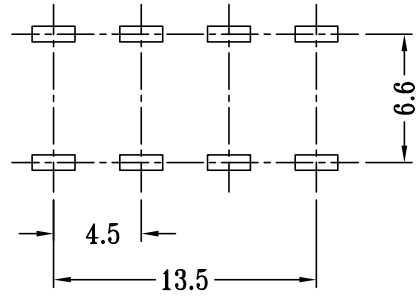
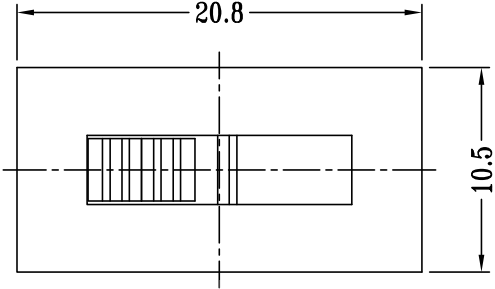


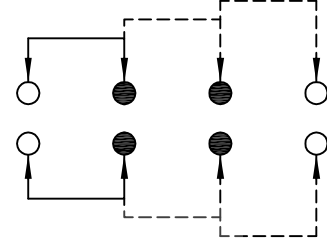
REV.	ECN NO	CONTENT	DATE	ENGINEER
A0		Initial release	/	SGF

额定值：0.3A 50VDC
 接触电阻：100m max
 绝缘电阻：100M MIN
 耐电压：AC 500V
 寿命：10000
 工作温度：-25 +85

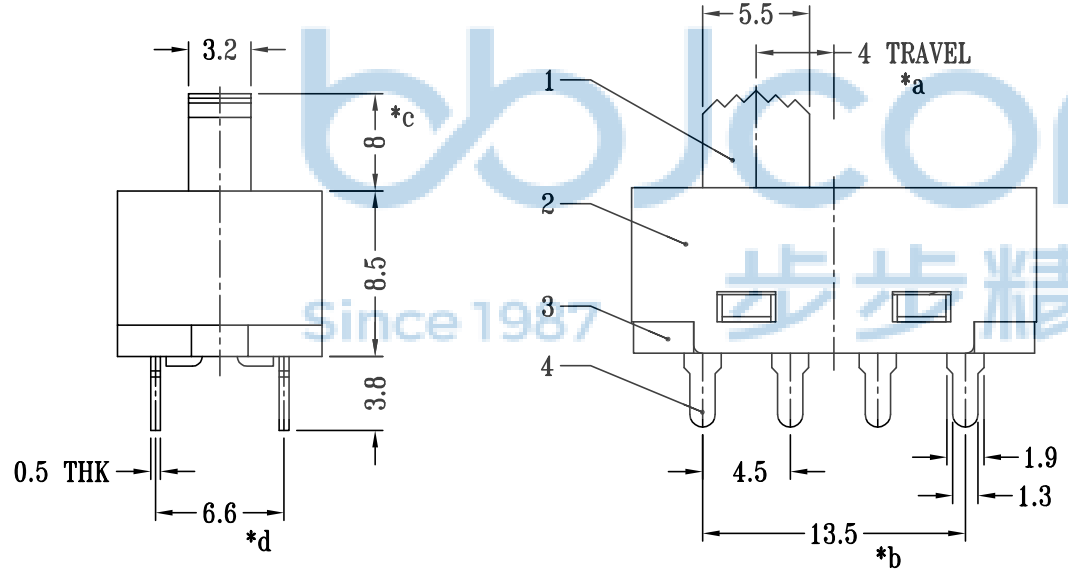


**P.C.B LAYOUT
BOTTOM VIEW**

注：“*”表示关键尺寸（4个）。



SCHEMATIC (NON-SHORTING)



8	SPRING B	STEEL WIRE	4	NATURAL
7	SPRING A	STEEL WIRE	1	NATURAL
6	STEEL BALL	STEEL	1	Ni PLATED
5	CONTACT	COPPER STRIP	1	Ag PLATED
4	TERMINAL	BRASS STRIP	8	Ag PLATED
3	BASE	PPA+94V0	1	BLACK
2	COVER	PPA+94V0	1	BLACK
1	KNOB	PPA+94V0	1	BLACK
NO.	PARTS	MATERIALS	Q'TY	FINISH



THIS DOCUMENT IS THE SOLE PROPERTY OF BBJconn Technology Co., Ltd. Corporation AND SHOULD NOT BE USED IN WHOLE OR IN PART WITHOUT PRIOR WRITTEN PERMISSION.

PDWG.NO: 0101-1

DR. SGF

深圳市步步精科技有限公司

NAME: 拨动开关 SS23H21G8-FP-B 八脚直插

PJ. NO.: SS.02.01-09-1003

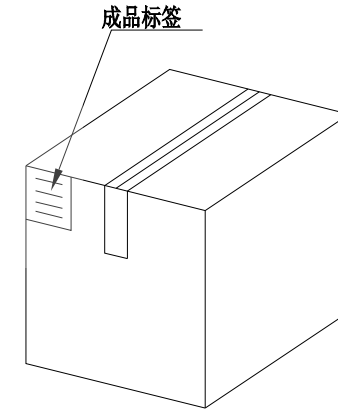
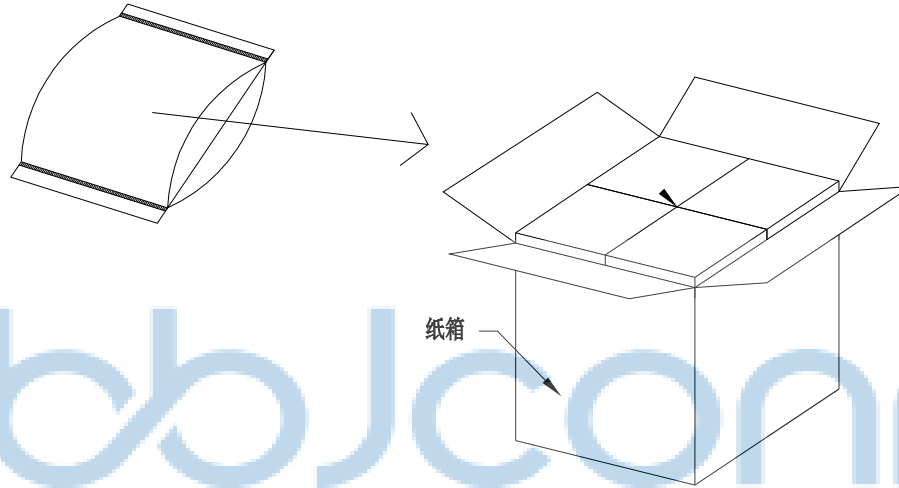
SIZE: A4 | DRW NO.:

FINISH: SEE NOTES | MAT'L.: SEE NOTES

SCALE: N/A | REV.: A0 | UNIT: mm | PAGE: 1/2

REV.	ECN NO	CONTENT	DATE	ENGINEER
A0		Initial release	/	SGF

PE袋规格:***X*** (以实际出货为准)



1. 包装要求:

- 1.1 每PE袋包装 250 PCS;
- 1.2 每1袋放一小纸盒;
- 1.3 每20个小纸盒放一个纸箱, 共计5000 PCS
- 1.4 纸箱外贴上标签



THIS DOCUMENT IS THE SOLE PROPERTY OF BBJconn Technology Co.,Ltd. Corporation AND SHOULD NOT BE USED IN WHOLE OR IN PART WITHOUT PRIOR WRITTEN PERMISSION.		深圳市步步精科技有限公司 .X: ±0.38 X': ±3' NAME: .XX: ±0.25 .X': ±2' 拨动开关 SS23H21G8-FP-B 八脚直插 .XXX: ±0.13 .XX': ±1'	
APPD.	JM_Zheng	PJ. NO.: SS.02.01-09-1003 SIZE: A4 DRW NO.:	
CHKD.	LYX		
PDWG.NO:	0101-1	DR.	SGF
		FINISH: SEE NOTES	MAT'L.: SEE NOTES
		SCALE: N/A	REV.: A0 UNIT: mm PAGE: 2/2