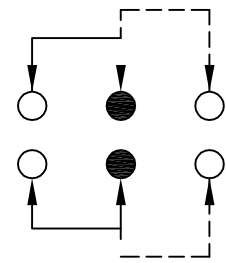
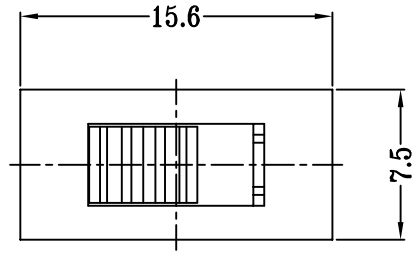
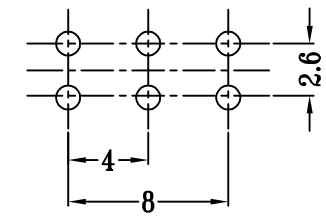


REV.	ECN NO	CONTENT	DATE	ENGINEER
A0		Initial release	/	SGF

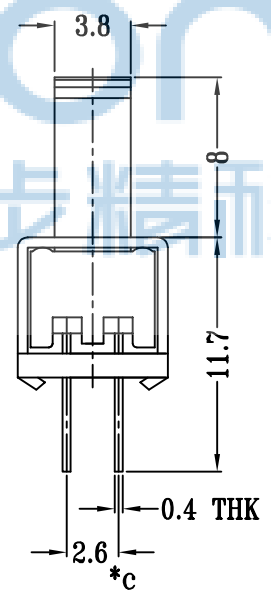
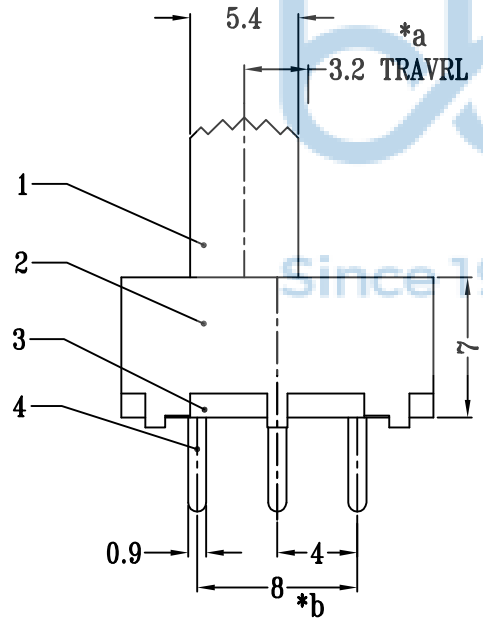
额定值 : 0.3A 50VDC
 接触电阻: 100m max
 绝缘电阻: 100M MIN
 耐电压: AC 500V
 寿命: 10000
 工作温度: -25 +85



SCHEMATIC (NON-SHORTING)



P.C.B LAYOUT
BOTTOM VIEW



注"*"表示关键尺寸(3个)

NO.	PARTS	MATERIALS	Q'TY	FINISH
8				
7				
6	SPRING	STEEL WIRE	2	NATURAL
5	CONTACT	BRASS	2	Ag PLATED
4	TERMINAL	BRASS STRIP	6	Ag PLATED
3	BASE	PHENOLIC RESIN	1	NATURAL
2	FRAME	STEEL STRIP	1	Ni PLATED
1	KNOB	PA66	1	BLACK

THIS DOCUMENT IS THE SOLE PROPERTY OF BBJconn Technology Co.,Ltd. Corporation AND SHOULD NOT BE USED IN WHOLE OR IN PART WITHOUT PRIOR WRITTEN PERMISSION.

PDWG.NO: 0101-1

APPD. JM_Zheng
CHKD. LYX
DR. SGF

深圳市步步精科技有限公司

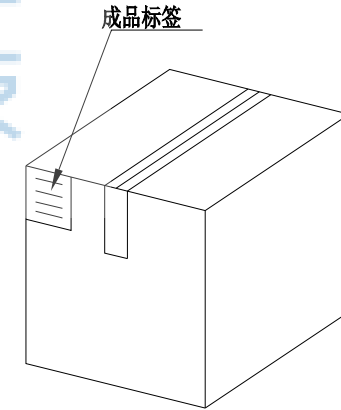
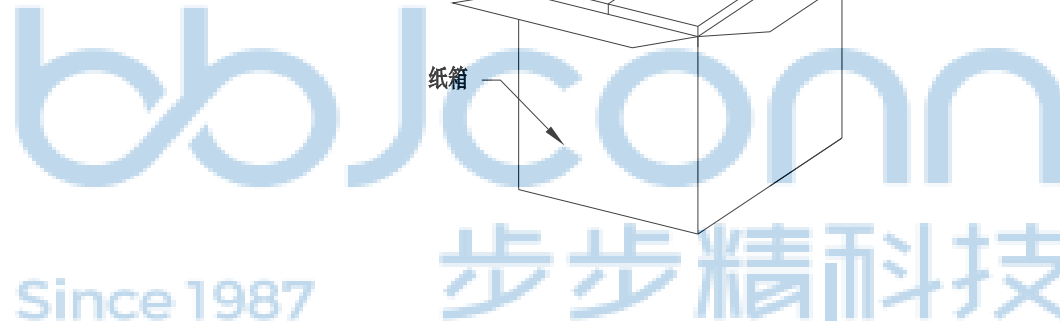
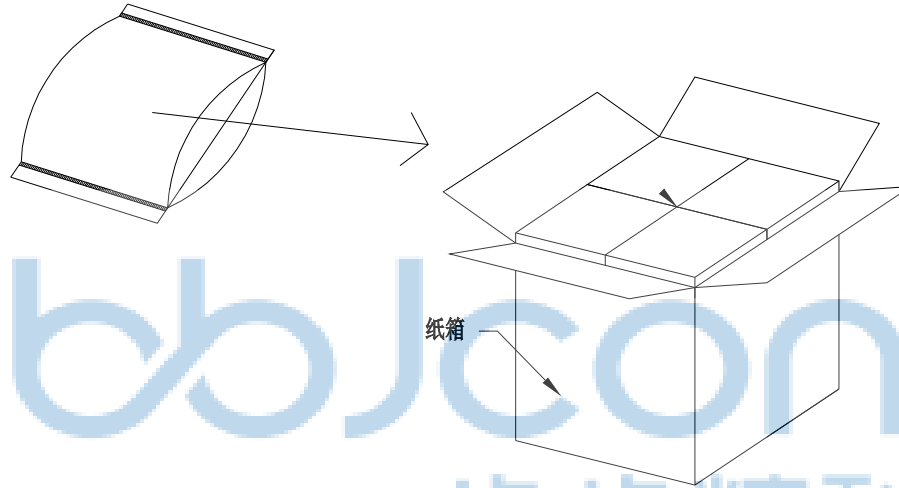
.X: ±0.38 .XX: ±0.25 .XXX: ±0.13
X': ±3' .X': ±2' .XX': ±1'

NAME: 拨动开关 SS22F15G8 镍壳高温 六脚直插

PJ. NO.: SS.02.01-09-1002
SIZE: A4 DRW NO.:
FINISH: SEE NOTES MAT'L.: SEE NOTES
SCALE: N/A REV.: A0 UNIT: mm PAGE: 1/2

REV.	ECN NO	CONTENT	DATE	ENGINEER
A0		Initial release	/	SGF

PE袋规格:***X*** (以实际出货为准)



1. 包装要求:

- 1.1 每PE袋包装 500 pcs;
- 1.2 每1袋放一小纸盒;
- 1.3 每20个小纸盒放一个纸箱, 共计10000PCS
- 1.4 纸箱外贴上标签



THIS DOCUMENT IS THE SOLE PROPERTY OF BBJconn Technology Co.,Ltd. Corporation AND SHOULD NOT BE USED IN WHOLE OR IN PART WITHOUT PRIOR WRITTEN PERMISSION.		深圳市步步精科技有限公司 .X: ±0.38 X': ±3' NAME: .XX: ±0.25 .X": ±2' 拨动开关 SS22F15G8 镍壳高温 六脚直插 .XXX: ±0.13 .XX": ±1'	
APPD.	JM_Zheng	PJ. NO.: SS.02.01-09-1002 SIZE: A4 DRW NO.:	
CHKD.	LYX		
PDWG.NO:	0101-1	DR.	SGF
		FINISH: SEE NOTES	MAT'L.: SEE NOTES
		SCALE: N/A	REV.: A0 UNIT: mm PAGE: 2/2