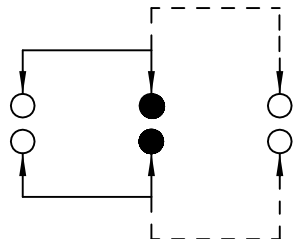
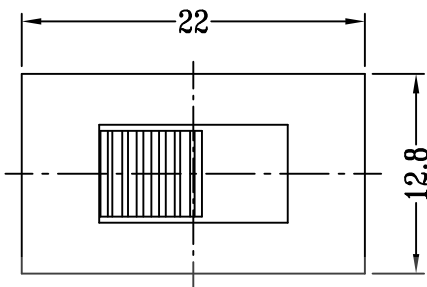
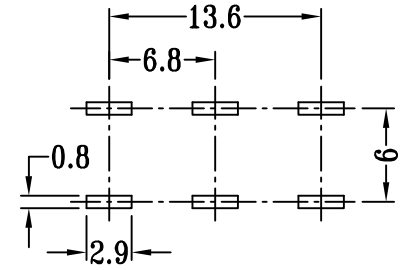
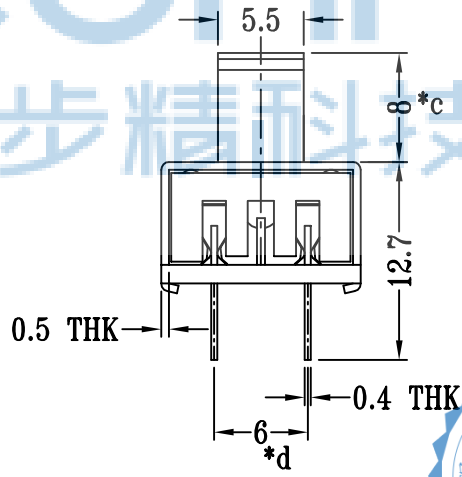
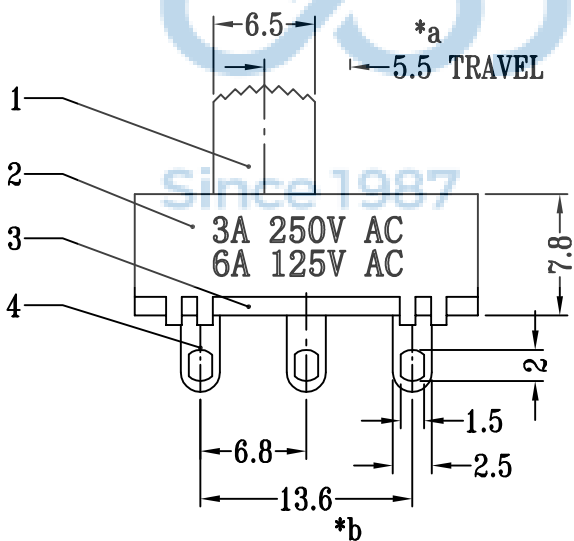


REV.	ECN NO.	CONTENT	DATE	ENGINEER
A0		Initial release	/	SGF



SCHEMATIC (NON-SHORTING)

额定值 : 0.3A 50VDC
 接触电阻 : 100m max
 绝缘电阻 : 100M MIN
 耐电压 : AC 500V
 寿命 : 10000
 工作温度 : -25 +85



**P.C.B LAYOUT
BOTTOM VIEW**



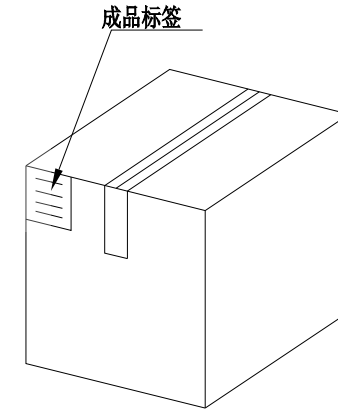
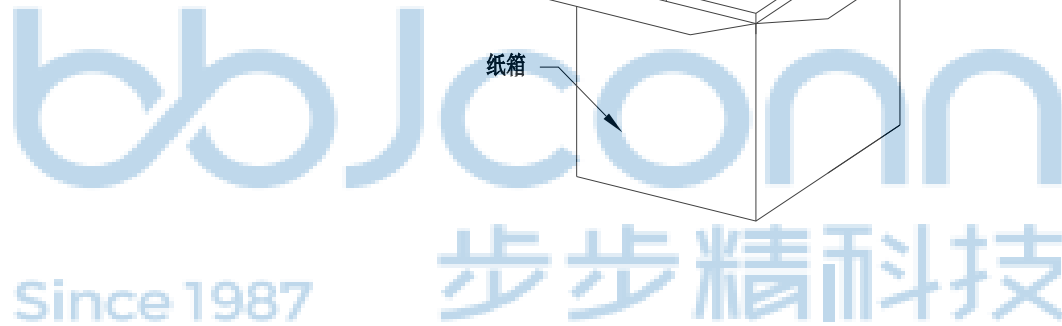
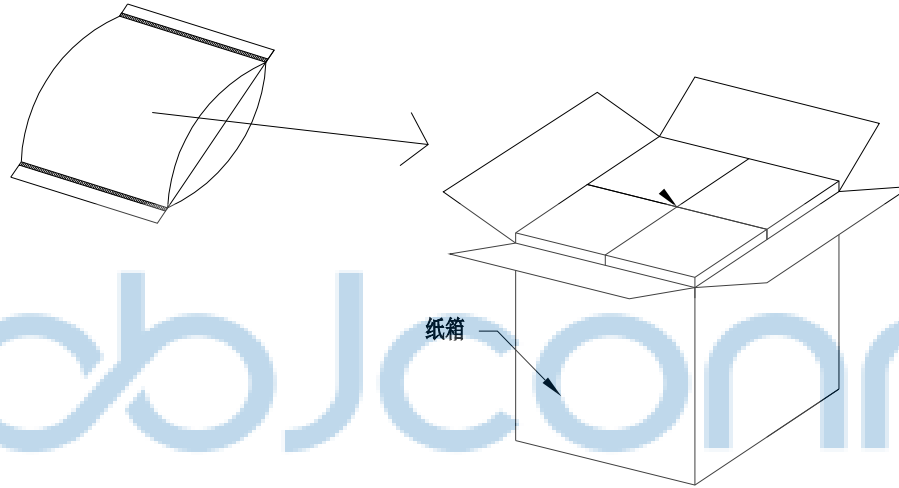
注：“*”表示关键尺寸（4个）。

8	CONTACT CLIP	PBS STRIP	2	Ag CLAD
7	POSITION PLATE	STEEL STRIP	1	Ni PLATED
6	STEEL BALL	STEEL	1	NATURAL
5	SPRING	STEEL WIRE	1	NATURAL
4	TERMINAL	BRASS STRIP	6	Ag PLATED
3	BASE	PHENOLIC RESIN	1	NATURAL
2	FRAME	STEEL STRIP	1	Ni PLATED
1	KNOB	PA66	1	BLACK
NO.	PARTS	MATERIALS	Q'TY	FINISH

THIS DOCUMENT IS THE SOLE PROPERTY OF BBJconn Technology Co.,Ltd. Corporation AND SHOULD NOT BE USED IN WHOLE OR IN PART WITHOUT PRIOR WRITTEN PERMISSION.		深圳市步步精科技有限公司 工程部	
PDWG.NO: 0101-1		.X: ±0.38 .XX: ±0.25 .XXX: ±0.13	X': ±3' .X': ±2' .XX': ±1'
APPD.	JM_Zheng	NAME: 拨动开关 SS22K26G8 高温金码 六脚直插	
CHKD.	LYX	PJ. NO.: SS.02.01-09-1001	
DR.	SGF	SIZE: A4 DRW NO.:	
		FINISH: SEE NOTES MAT'L.: SEE NOTES	
		SCALE: N/A REV.: A0 UNIT: mm PAGE: 1/2	

REV.	ECN NO	CONTENT	DATE	ENGINEER
A0		Initial release	/	SGF

PE袋规格:***X*** (以实际出货为准)



1. 包装要求:

- 1.1 每PE袋包装 250 PCS;
- 1.2 每1袋放一小纸盒;
- 1.3 每20个小纸盒放一个纸箱, 共计 5000 PCS
- 1.4 纸箱外贴上标签



THIS DOCUMENT IS THE SOLE PROPERTY OF BBJconn Technology Co.,Ltd. Corporation AND SHOULD NOT BE USED IN WHOLE OR IN PART WITHOUT PRIOR WRITTEN PERMISSION.		深圳市步步精科技有限公司 NAME: 拨动开关 SS22K26G8 高温金码 六脚直插 APPD. JM_Zheng CHKD. LYX DR. SGF	
.X: ±0.38 .XX: ±0.25 .XXX: ±0.13		X': ±3" .X': ±2" .XX': ±1"	
PDWG.NO: 0101-1		PJ. NO.: SS.02.01-09-1001 SIZE: A4 DRW NO.: FINISH: SEE NOTES MAT'L.: SEE NOTES SCALE: N/A REV.: A0 UNIT: mm PAGE: 2/2	