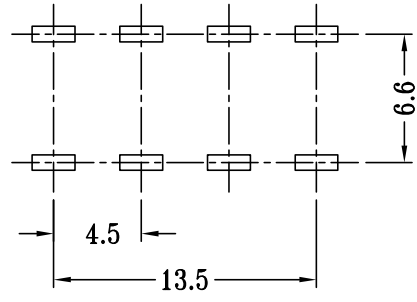
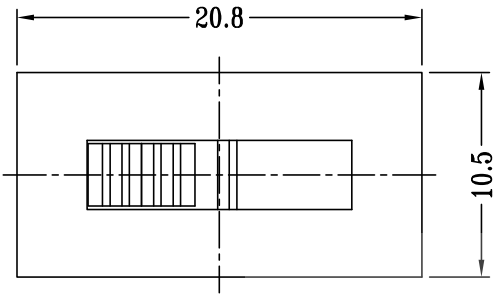
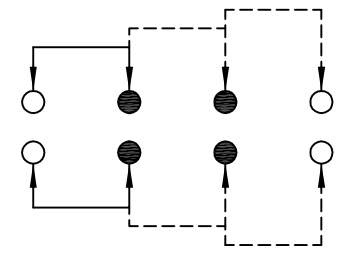


|      |        |                 |      |          |
|------|--------|-----------------|------|----------|
| REV. | ECN NO | CONTENT         | DATE | ENGINEER |
| A0   |        | Initial release | /    | SGF      |



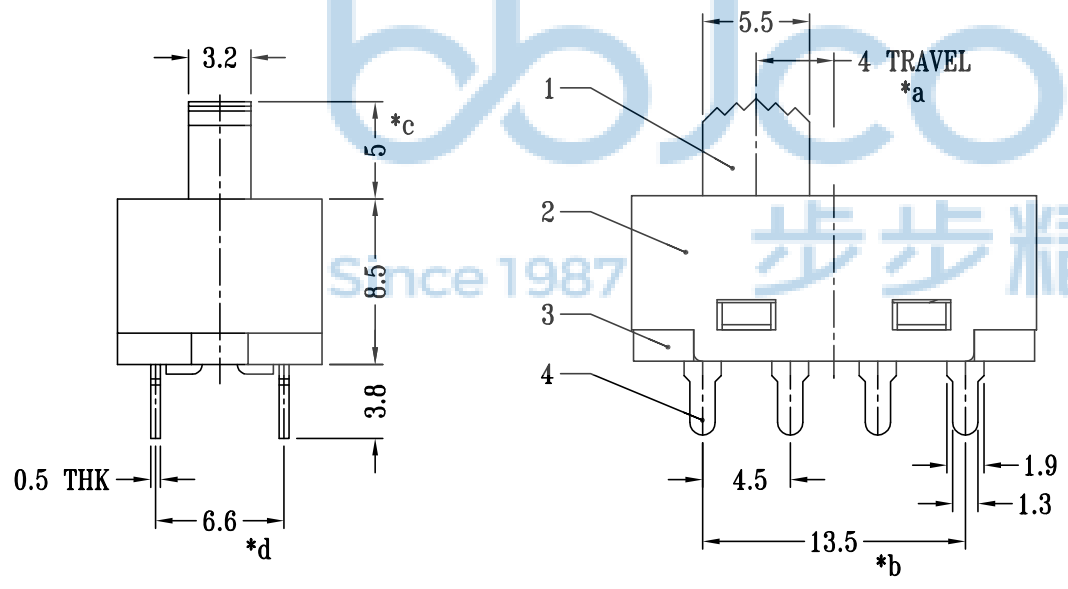
**P.C.B LAYOUT  
BOTTOM VIEW**

注：“\*”表示关键尺寸（4个）。



**SCHEMATIC (NON-SHORTING)**

额定值：0.3A 50VDC  
 接触电阻：100m max  
 绝缘电阻：100M MIN  
 耐电压：AC 500V  
 寿命：10000  
 工作温度：-25 +85



| NO. | PARTS      | MATERIALS    | Q'TY | FINISH          |
|-----|------------|--------------|------|-----------------|
| 8   | SPRING B   | STEEL WIRE   | 4    | NATURAL         |
| 7   | SPRING A   | STEEL WIRE   | 1    | NATURAL         |
| 6   | STEEL BALL | STEEL        | 1    | Ni PLATED       |
| 5   | CONTACT    | COPPER STRIP | 1    | Ag PLATED 0.2um |
| 4   | TERMINAL   | BRASS STRIP  | 8    | Ag PLATED 0.2um |
| 3   | BASE       | PPA+94V0     | 1    | BLACK           |
| 2   | COVER      | PPA+94V0     | 1    | BLACK           |
| 1   | KNOB       | PPA+94V0     | 1    | BLACK           |



THIS DOCUMENT IS THE SOLE PROPERTY OF BBJconn Technology Co.,Ltd. Corporation AND SHOULD NOT BE USED IN WHOLE OR IN PART WITHOUT PRIOR WRITTEN PERMISSION.

PDWG.NO: 0101-1

DR. SGF

APPD. JM\_Zheng

CHKD. LYX

NAME: 深圳市步步精科技有限公司

NAME: 拨动开关 SS23H21G5-FP-B 八脚直插

PJ. NO.: SS.02.01-06-1007

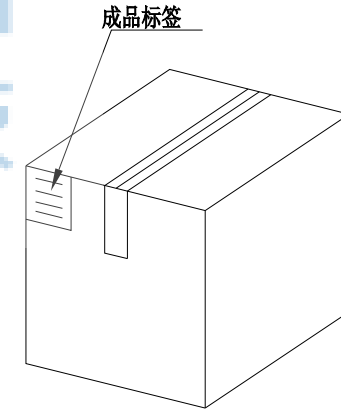
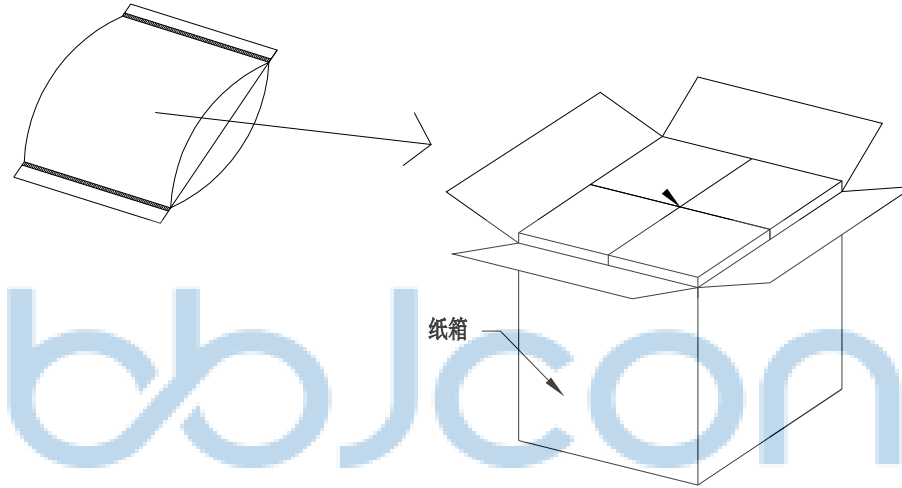
SIZE: A4 DRW NO.:

FINISH: SEE NOTES MAT'L.: SEE NOTES

SCALE: N/A REV.: A0 UNIT: mm PAGE: 1/2

| REV. | ECN NO | CONTENT         | DATE | ENGINEER |
|------|--------|-----------------|------|----------|
| A0   |        | Initial release | /    | SGF      |

PE袋规格:\*\*\*X\*\*\* (以实际出货为准)



1. 包装要求:

- 1.1 每PE袋包装 250 PCS;
- 1.2 每1袋放一小纸盒;
- 1.3 每20个小纸盒放一个纸箱, 共计5000 PCS
- 1.4 纸箱外贴上标签



|  |          |   |                             |
|--|----------|---|-----------------------------|
| THIS DOCUMENT IS THE SOLE PROPERTY OF BBJconn Technology Co.,Ltd. Corporation AND SHOULD NOT BE USED IN WHOLE OR IN PART WITHOUT PRIOR WRITTEN PERMISSION. |          | 深圳市步步精科技有限公司<br>.X: ±0.38 X': ±3' NAME: 拨动开关 SS23H21G5-FP-B 八脚直插<br>.XX: ±0.25 X'': ±2'<br>.XXX: ±0.13 XX': ±1' |                             |
| APPD.  | JM_Zheng | PJ. NO.: SS.02.01-06-1007<br>SIZE: A4 DRW NO.:  |                             |
| CHKD.  | LYX      |   |                             |
| PDWG.NO:   | 0101-1   | DR.   | SGF                         |
|  |          | FINISH: SEE NOTES   | MAT'L.: SEE NOTES           |
|  |          | SCALE: N/A  | REV.: A0 UNIT: mm PAGE: 2/2 |