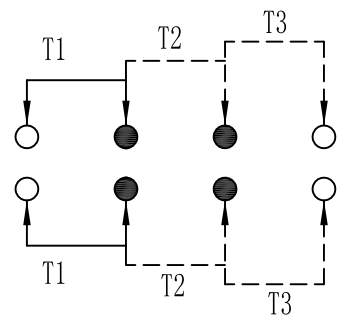
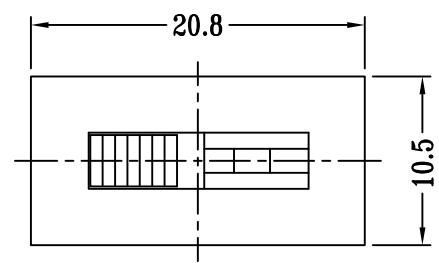
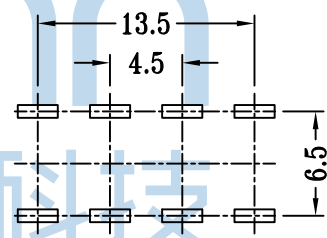
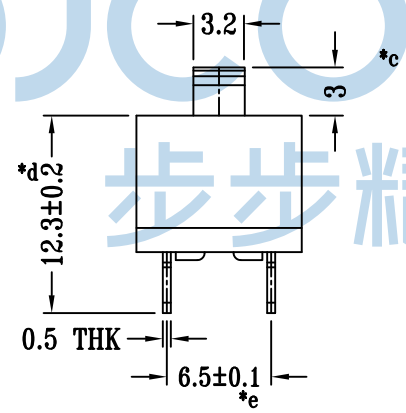
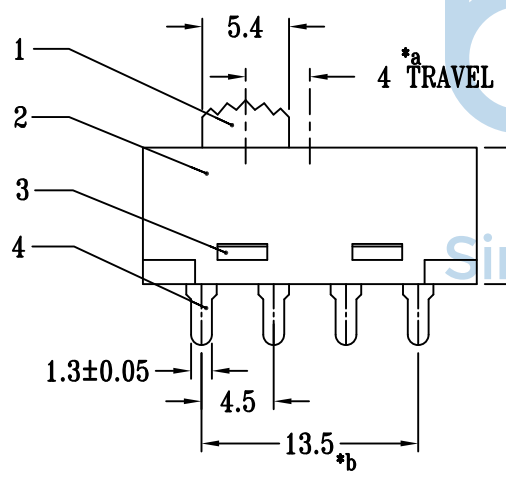


REV.	ECN NO.	CONTENT	DATE	ENGINEER
A0		Initial release	/	TSP

额定值：0.3A 50VDC
 接触电阻：100m max
 绝缘电阻：100M MIN
 耐电压：AC 500V
 寿命：10000
 工作温度：-25 +85



SCHMATIC (NON-SHORTING)



**P.C.B LAYOUT
BOTTOM VIEW**

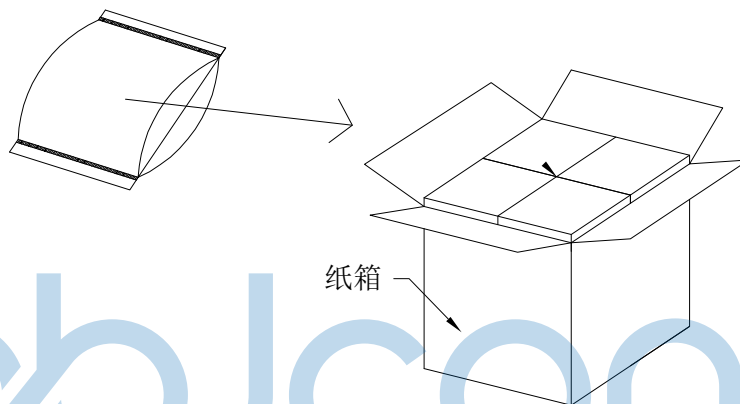
注：“*”表示关键5个质量特性

8				
7	STEEL BALL	STEEL	1	NATURAL
6	SPRING	STEEL WIRE	5	NATURAL
5	CONTACT	COPPER STRIP	2	Ag PLATED
4	TERMINAL	BRASS STRIP	8	Ag PLATED
3	BASE	PA66+94V0	1	WHITE
2	FRAME	PA66+94V0	1	WHITE
1	KNOB	PA66+94V0	1	WHITE
NO.	PARTS	MATERIALS	Q'TY	FINISH

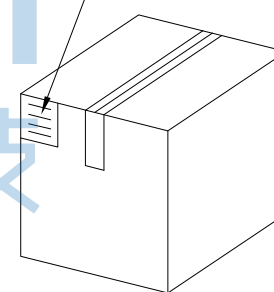
THIS DOCUMENT IS THE SOLE PROPERTY OF BBJconn Technology Co.,Ltd. Corporation AND SHOULD NOT BE USED IN WHOLE OR IN PART WITHOUT PRIOR WRITTEN PERMISSION.		深圳市步步精科技有限公司 .X: ±0.38 .X': ±3' .XX: ±0.25 .X': ±2' .XXX: ±0.13 .XX': ±1'		NAME: 拨动开关 SS23H21G3-FP-2W 八脚直插 白柄 PJ. NO.: SS.02.01-04-1009 SIZE: A4 DRW NO.: FINISH: SEE NOTES MAT'L.: SEE NOTES	
APPD. JM_Zheng	CHKD. LYX	DR. TSP	SCALE: N/A	REV.: A0	UNIT: mm
PDWG.NO: 0101-1	DR. TSP				PAGE: 1/2

REV.	ECN NO	CONTENT	DATE	ENGINEER
A0		Initial release	/	TSP

PE袋规格: 260*185



成品标签



1. 包装要求:

- 1.1 每个PE袋包装250pcs;
- 1.2 每1袋放一小纸盒;
- 1.3 每20个小纸盒放一个纸箱, 共计5000pcs;
- 1.4 纸箱外贴上标签



THIS DOCUMENT IS THE SOLE PROPERTY OF BBJconn Technology Co.,Ltd.		深圳市步步精科技有限公司	
Corporation AND SHOULD NOT BE USED IN WHOLE OR IN PART WITHOUT PRIOR WRITTEN PERMISSION.		NAME: 拨动开关 SS23H21G3-FP-2W 八脚直插 白柄	
APPD.	JM_Zheng	PJ. NO.: SS.02.01-04-1009 SIZE: A4 DRW NO.:	
CHKD.	LYX		
PDWG.NO:	0101-1	DR.	TSP
		FINISH: SEE NOTES	MAT'L.: SEE NOTES
		SCALE: N/A	REV.: A0 UNIT: mm PAGE: 2/2