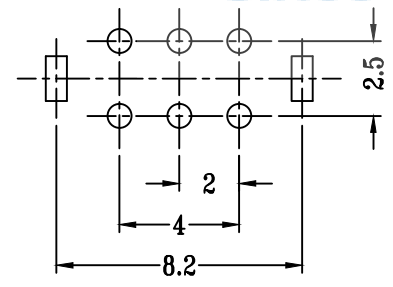
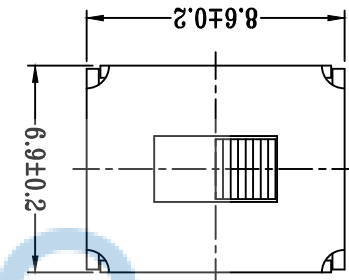
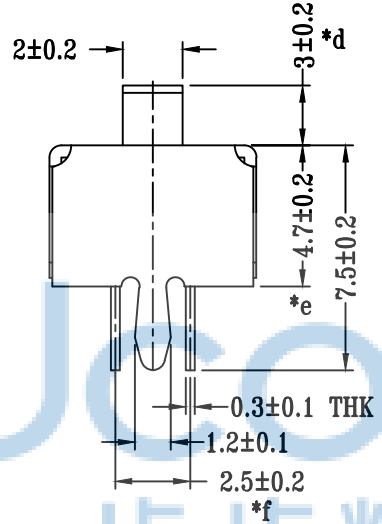
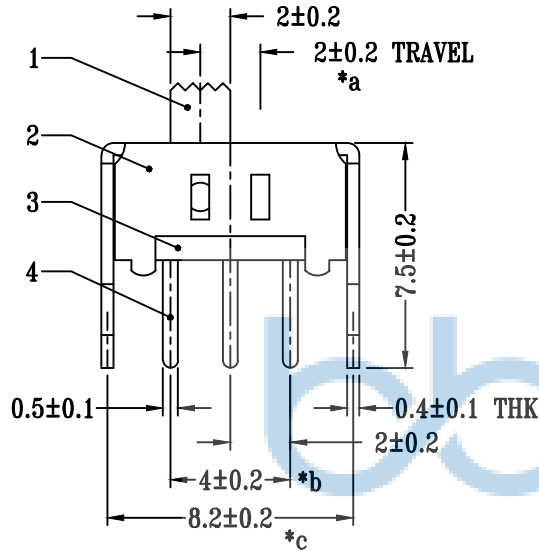
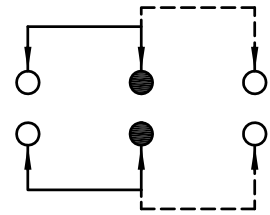


REV.	ECN NO.	CONTENT	DATE	ENGINEER
A0		Initial release	/	SGF

额定值 : 0.3A 50VDC
 接触电阻: 100m max
 绝缘电阻: 100M MIN
 耐电压: AC 500V
 寿命: 10000
 工作温度: -25 +85



**P.C.B LAYOUT
BOTTOM VIEW**



SCHEMATIC (NON-SHORTING)

注：“*”表示关键尺寸(6个).



8				
7				
6	SPRING PLATE	PBS STRIP	1	NATURAL
5	CONTACT CLIP	PBS STRIP	2	Ag PLATED
4	TERMINAL	BRASS STRIP	6	Ag PLATED
3	BASE	PHENOLIC RESIN	1	NATURAL
2	FRAME	STEEL STRIP	1	Ni PLATED
1	KNOB	POM	1	BLACK
NO.	PARTS	MATERIALS	Q'TY	FINISH

THIS DOCUMENT IS THE SOLE PROPERTY OF BBJconn Technology Co.,Ltd.
 Corporation AND SHOULD NOT BE USED IN WHOLE OR IN PART WITHOUT PRIOR WRITTEN PERMISSION.
 PDWG.NO: 0101-1

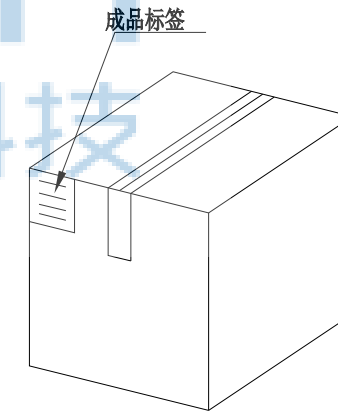
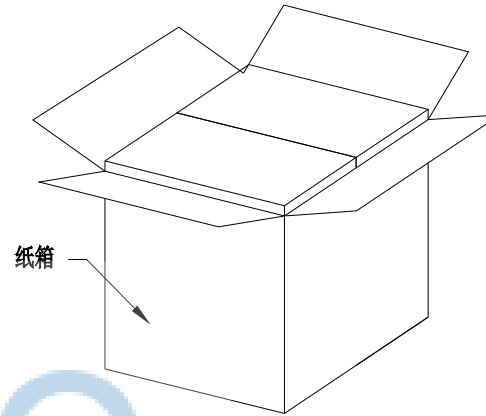
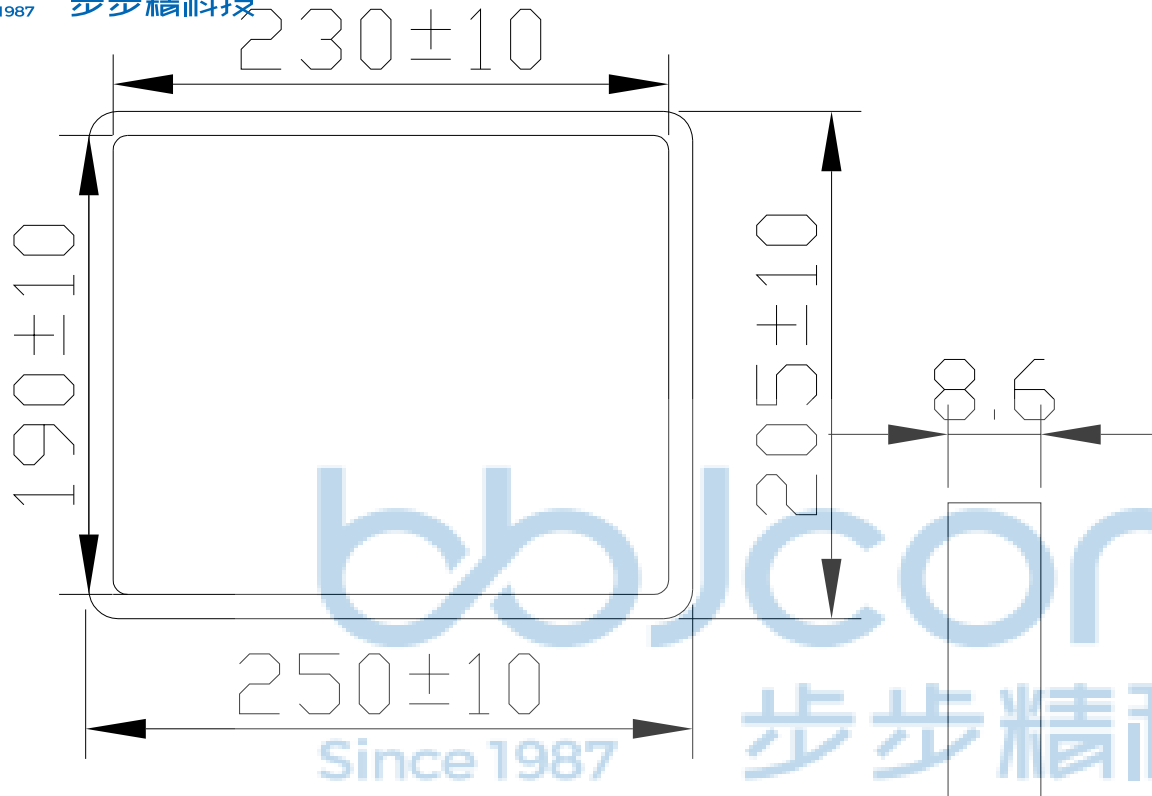
深圳市步步精科技有限公司

NAME: 拨动开关 SS22D03G3 六脚直插

APPD. JM_Zheng
 CHKD. LYX
 DR. SGF

PJ. NO.: SS.02.01-04-1006
 SIZE: A4 DRW NO.:
 FINISH: SEE NOTES MAT'L.: SEE NOTES
 SCALE: N/A REV.: A0 UNIT: mm PAGE: 1/2

REV.	ECN NO.	CONTENT	DATE	ENGINEER
A0		Initial release	/	SGF



纸箱规格: 350*210*290

1. 包装要求:

- 1.1 每盒吸塑盒包装2000 pcs;
- 1.2 每20盘放一箱, 共计40000PCS;
- 1.3 纸箱外贴上标签



THIS DOCUMENT IS THE SOLE PROPERTY OF BBJconn Technology Co.,Ltd. Corporation AND SHOULD NOT BE USED IN WHOLE OR IN PART WITHOUT PRIOR WRITTEN PERMISSION.		深圳市步步精科技有限公司 .X: ± 0.38 .XX: ± 0.25 .XXX: ± 0.13 X': $\pm 3'$ X'': $\pm 2'$ XX': $\pm 1'$		NAME: 拨动开关 SS22D03G3 六脚直插	
APPD.	JM_Zheng	PJ. NO.: SS.02.01-04-1006 SIZE: A4 DRW NO.:		FINISH: SEE NOTES MAT'L.: SEE NOTES	
CHKD.	LYX	PDWG.NO: 0101-1		DR.	SGF
SCALE: N/A		REV.: A0	UNIT: mm	PAGE: 2/2	