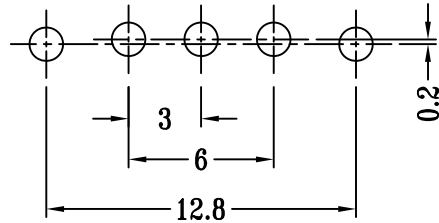
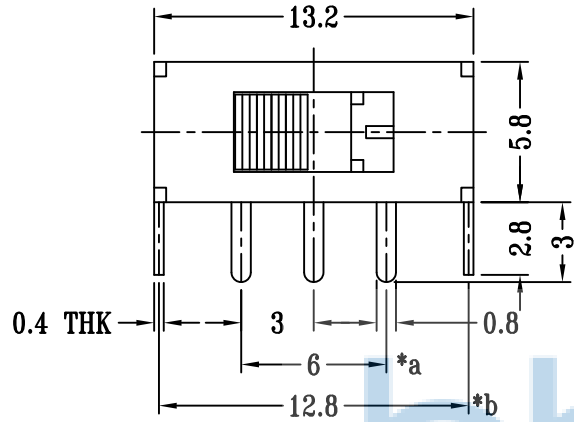


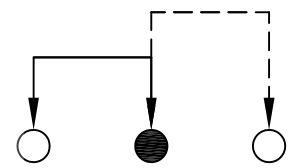
REV.	ECN NO	CONTENT	DATE	ENGINEER
A0		Initial release	/	SGF

额定值 : 0.3A 50VDC
 接触电阻: 100m max
 绝缘电阻: 100M MIN
 耐电压: AC 500V
 寿命: 10000
 工作温度: -25 +85

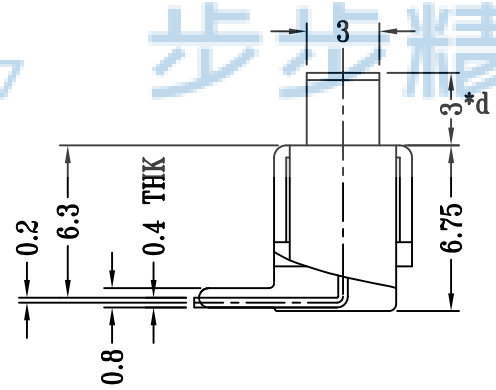
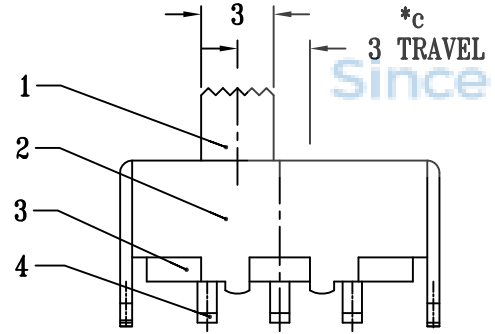


**P.C.B LAYOUT
BOTTOM VIEW**

注：“*”口表示关键尺寸(4个).



SCHEMATIC (NON-SHORTING)

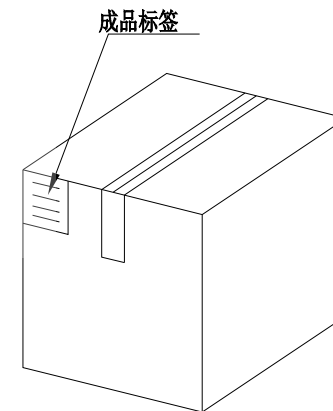
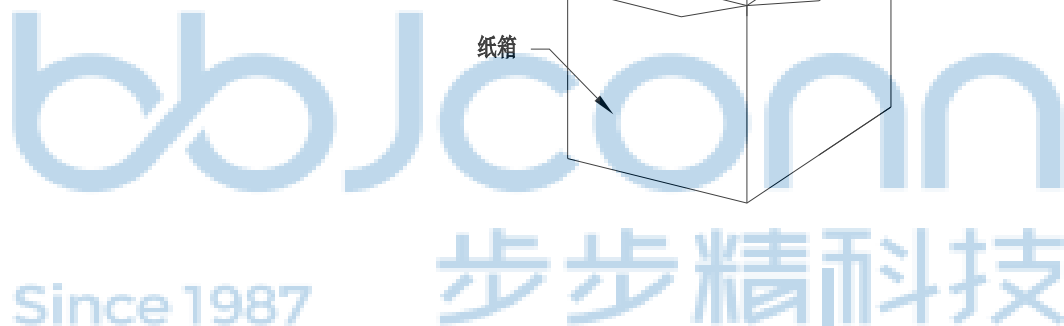
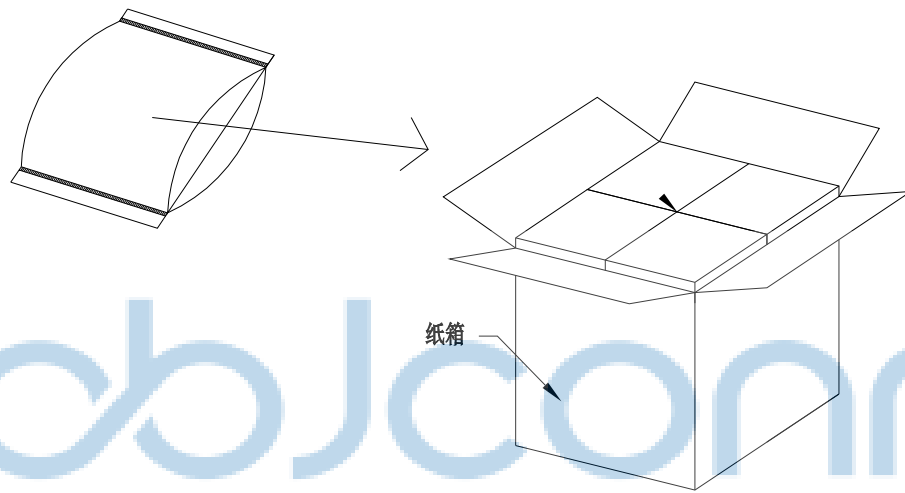


NO.	PARTS	MATERIALS	Q' TY	FINISH
8				
7				
6	SPRING	STEEL WIRE	1	NATURAL
5	CONTACT	BRASS STRIP	1	Ag PLATED
4	TERMINAL	BRASS STRIP	3	Ag PLATED
3	BASE	PHENOLIC RESIN	1	NATURAL
2	FRAME	STEEL STRIP	1	Ni PLATED
1	KNOB	PA66	1	BLACK

THIS DOCUMENT IS THE SOLE PROPERTY OF BBJconn Technology Co.,Ltd. Corporation AND SHOULD NOT BE USED IN WHOLE OR IN PART WITHOUT PRIOR WRITTEN PERMISSION.		深圳市步步精科技有限公司 工程部	
APPD.	JM_Zheng	NAME:	拨动开关 SS12F23G3 侧拨 三脚弯插
CHKD.	LYX	PJ. NO.:	SS.02.01-04-1004
DR.	SGF	SIZE:	A4
PDWG.NO:	0101-1	DRW NO.:	
		FINISH:	SEE NOTES
		MAT'L.:	SEE NOTES
		SCALE:	N/A
		REV.:	A0
		UNIT:	mm
		PAGE:	1/2

REV.	ECN NO	CONTENT	DATE	ENGINEER
A0		Initial release	/	SGF

PE袋规格:***X*** (以实际出货为准)



1. 包装要求:

- 1.1 每PE袋包装 1000 pcs;
- 1.2 每1袋放一小纸盒;
- 1.3 每20个小纸盒放一个纸箱, 共计20000PCS
- 1.4 纸箱外贴上标签



THIS DOCUMENT IS THE SOLE PROPERTY OF BBJconn Technology Co.,Ltd. Corporation AND SHOULD NOT BE USED IN WHOLE OR IN PART WITHOUT PRIOR WRITTEN PERMISSION.		深圳市步步精科技有限公司 .X: ±0.38 X': ±3' NAME: .XX: ±0.25 .X': ±2' 拨动开关 SS12F23G3 侧拨 三脚弯插 .XXX: ±0.13 .XX': ±1'	
APPD.	JM_Zheng	PJ. NO.: SS.02.01-04-1004 SIZE: A4 DRW NO.:	
CHKD.	LYX		
PDWG.NO:	0101-1	DR.	SGF
		FINISH: SEE NOTES	MAT'L.: SEE NOTES
		SCALE: N/A	REV.: A0 UNIT: mm PAGE: 2/2