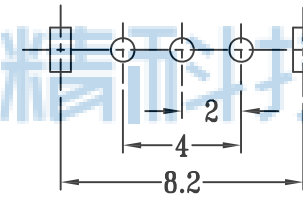
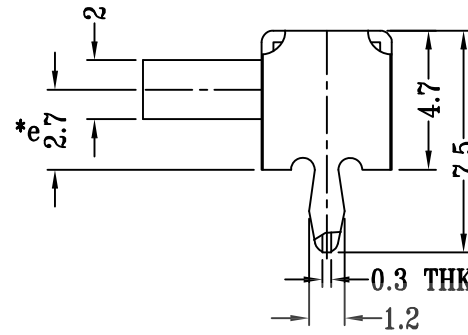
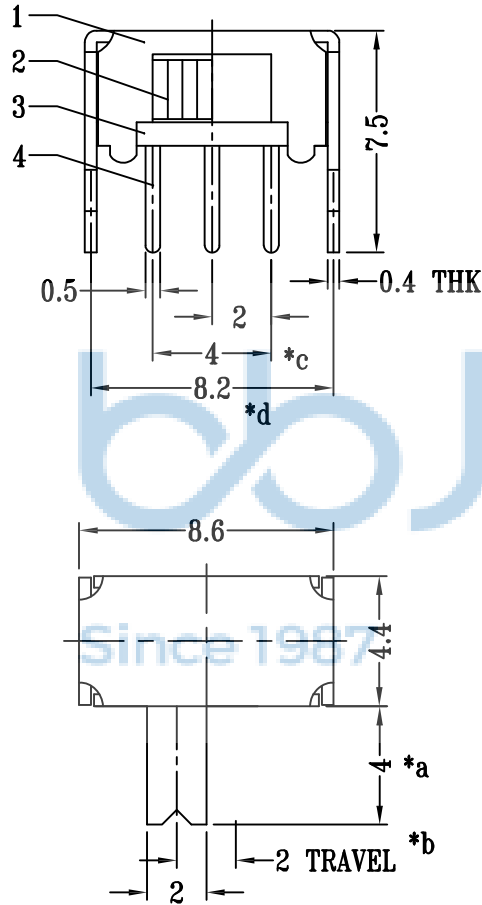


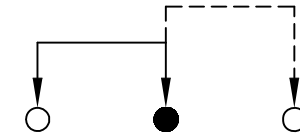
| REV. | ECN NO. | CONTENT | DATE | ENGINEER |
|------|---------|-----------------|------|----------|
| A0 | | Initial release | / | SGF |

额定值 : 0.3A 50VDC
 接触电阻 : 100m max
 绝缘电阻 : 100M MIN
 耐电压 : AC 500V
 寿命 : 10000
 工作温度 : -25 +85



P.C.B LAYOUT
BOTTOM VIEW

注 “*” 表示关键尺寸 (5个)



SCHEMATIC (NON-SHORTING)

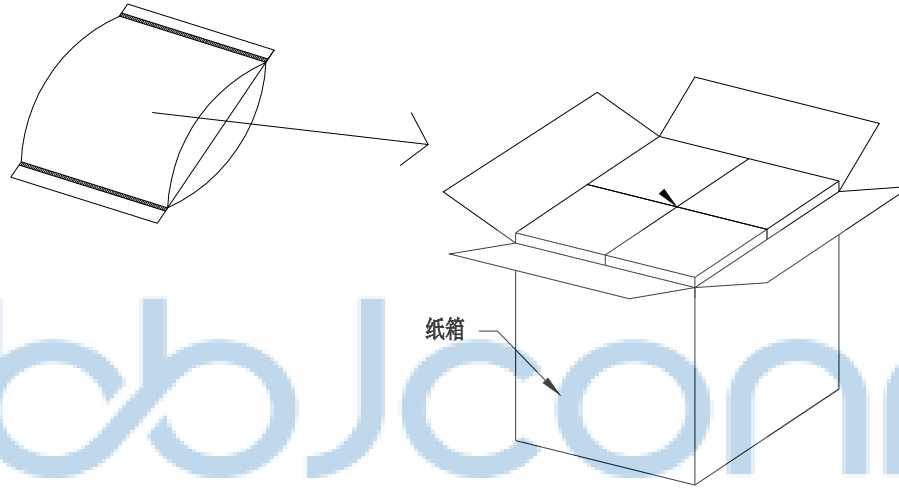


| NO. | PARTS | MATERIALS | Q'TY | FINISH |
|-----|--------------|----------------|------|-----------|
| 8 | | | | |
| 7 | | | | |
| 6 | SPRING PLATE | SUS | 1 | Ag PLATED |
| 5 | CONTACT CLIP | PBS STRIP | 1 | Ag PLATED |
| 4 | TERMINAL | BRASS STRIP | 3 | Ag PLATED |
| 3 | BASE | PHENOLIC RESIN | 1 | NATURAL |
| 2 | KNOB | POM | 1 | BLACK |
| 1 | FRAME | STEEL STRIP | 1 | Ni PLATED |

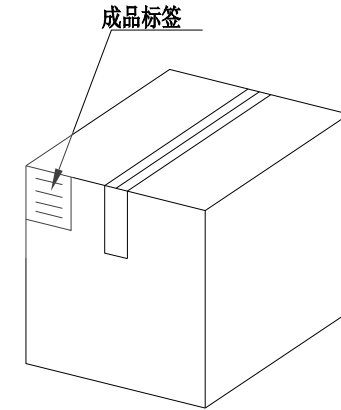
| | | | | | |
|---|----------|--|-----|--|-----|
| THIS DOCUMENT IS THE SOLE PROPERTY OF BBJconn Technology Co., Ltd. Corporation AND SHOULD NOT BE USED IN WHOLE OR IN PART WITHOUT PRIOR WRITTEN PERMISSION. | | 深圳市步步精科技有限公司 .X: ±0.38 .XX: ±0.25 .XXX: ±0.13 X': ±3' .X': ±2' .XX': ±1' | | NAME: 拨动开关 SK12D02VG4 侧拨 三脚插 P.J. NO.: SS.01.02-05-1002 SIZE: A4 DRW NO.: FINISH: SEE NOTES MAT'L.: SEE NOTES SCALE: N/A REV.: A0 UNIT: mm PAGE: 1/2 | |
| APPD. | JM_Zheng | CHKD. | LYX | DR. | SGF |
| PDWG.NO: | 0101-1 | | | | |

| REV. | ECN NO | CONTENT | DATE | ENGINEER |
|------|--------|-----------------|------|----------|
| A0 | | Initial release | / | SGF |

PE袋规格:***X*** (以实际出货为准)



bbJconn
Since 1987 步步精科技



1. 包装要求:

- 1.1 每PE袋包装 1000PCS;
- 1.2 每1袋放一小纸盒;
- 1.3 每20个小纸盒放一个纸箱, 共计20000PCS
- 1.4 纸箱外贴上标签



| | | | |
|--|----------|--|-----------------------------|
| THIS DOCUMENT IS THE SOLE PROPERTY OF BBJconn Technology Co.,Ltd. Corporation AND SHOULD NOT BE USED IN WHOLE OR IN PART WITHOUT PRIOR WRITTEN PERMISSION. | | 深圳市步步精科技有限公司 .X: ±0.38 X': ±3' NAME: .XX: ±0.25 .X': ±2' 拨动开关 SK12D02VG4 侧拨 三脚插 .XXX: ±0.13 .XX': ±1' | |
| APPD. | JM_Zheng | PJ. NO.: SS.01.02-05-1002 SIZE: A4 DRW NO.: | |
| CHKD. | LYX | | |
| PDWG.NO: | 0101-1 | DR. | SGF |
| | | FINISH: SEE NOTES | MAT'L.: SEE NOTES |
| | | SCALE: N/A | REV.: A0 UNIT: mm PAGE: 2/2 |