

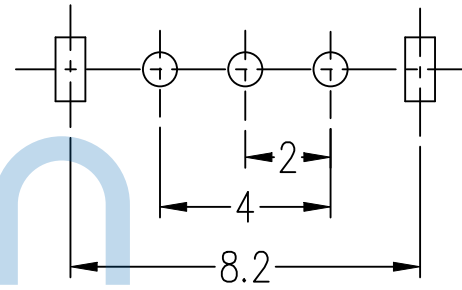
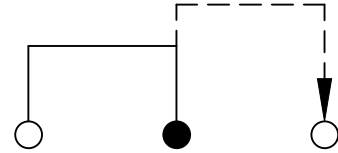
REV.	ECN NO.	CONTENT	DATE	ENGINEER
A0		Initial release	/	TSP

额定值：0.3A 50VDC
 接触电阻：100m max
 绝缘电阻：100M MIN
 耐电压：AC 500V
 寿命：10000
 工作温度：-25 +85

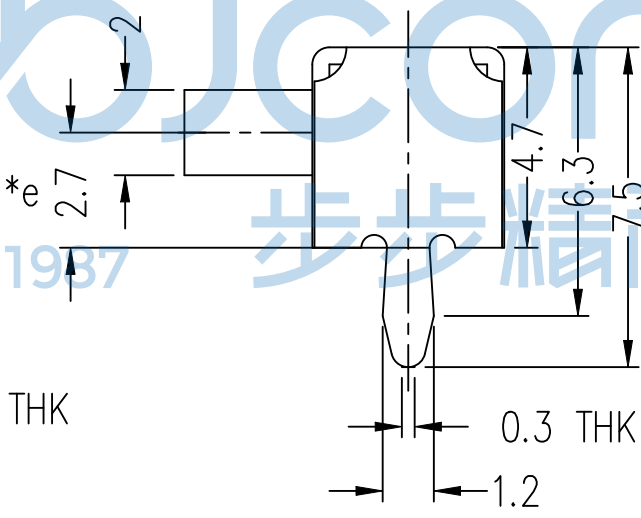
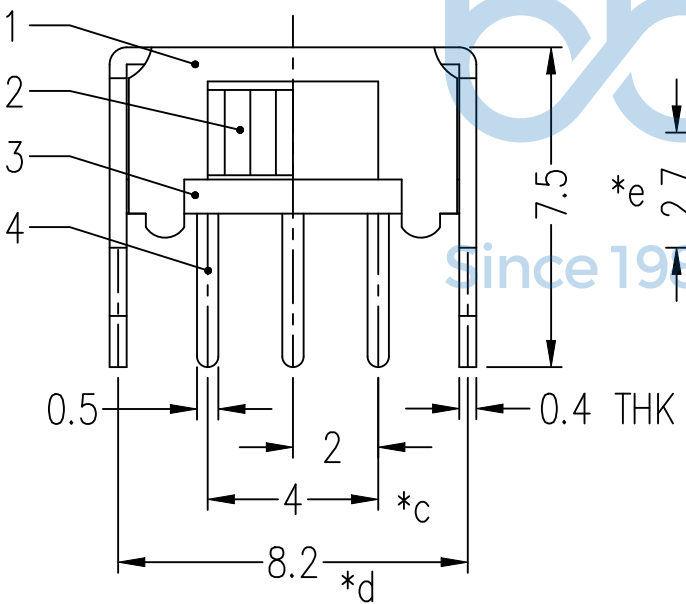
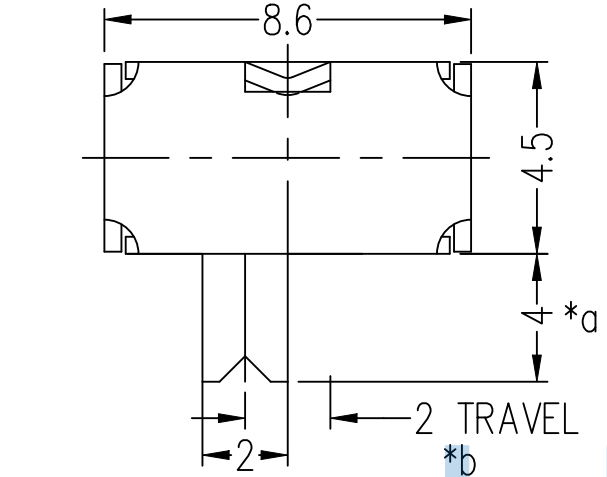


注：“*”表示关键尺寸 (5个)

SCHEMATIC (NON-SHORTING)



P.C.B LAYOUT
BOTTOM VIEW

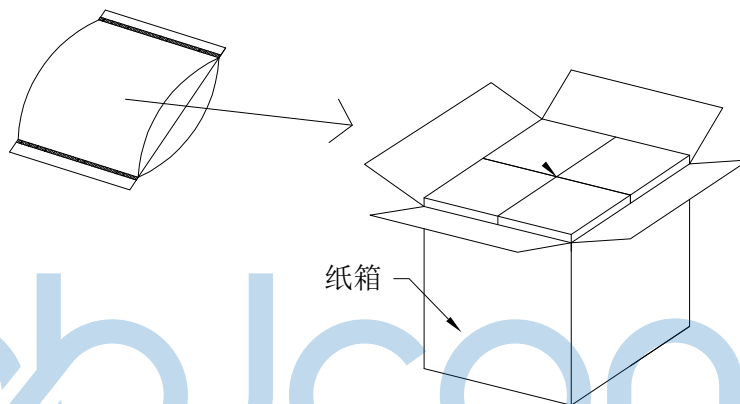


NO.	PARTS	MATERIALS	Q'TY	FINISH
5	CONTACT CLIP	PBS STRIP	1	Ag CLAD
4	TERMINAL	BRASS STRIP	3	Ag PLATED
3	BASE	PHENOLIC RESIN	1	NATURAL
2	KNOB	PA66	1	BLACK
1	FRAME	STEEL STRIP	1	Ni PLATED

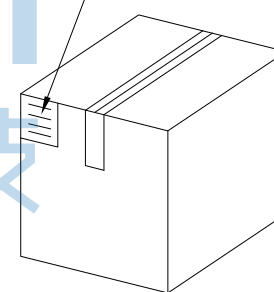
THIS DOCUMENT IS THE SOLE PROPERTY OF BBJconn Technology Co., Ltd. Corporation AND SHOULD NOT BE USED IN WHOLE OR IN PART WITHOUT PRIOR WRITTEN PERMISSION.		深圳市步步精科技有限公司	
.X: ±0.38 .XX: ±0.25 .XXX: ±0.13		X': ±3" X'': ±2" X'X': ±1"	
APPD.	JM_Zheng	NAME: 拨动开关 SK12D07V64 高温金码 侧拨 三脚插 间距2.0 袋装	
CHKD.	LYX	PJ. NO.: SS.01.02-05-1001	
DR.	TSP	SIZE: A4 DRW NO.:	
PDWG.NO: 0101-1		FINISH: SEE NOTES MAT'L.: SEE NOTES	
		SCALE: N/A REV.: A0 UNIT: mm PAGE: 1/2	

REV.	ECN NO	CONTENT	DATE	ENGINEER
A0		Initial release	/	TSP

PE袋规格: 260*185



成品标签



1. 包装要求:

- 1.1 每个PE袋包装1000pcs;
- 1.2 每1袋放一小纸盒;
- 1.3 每20个小纸盒放一个纸箱, 共计20000pcs;
- 1.4 纸箱外贴上标签



THIS DOCUMENT IS THE SOLE PROPERTY OF BBJconn Technology Co.,Ltd. Corporation AND SHOULD NOT BE USED IN WHOLE OR IN PART WITHOUT PRIOR WRITTEN PERMISSION.		深圳市步步精科技有限公司 .X: ±0.38 .X': ±3" .XX: ±0.25 .X'': ±2" .XXX: ±0.13 .XX': ±1"		NAME: 拨动开关 SK12D07V64 高温金码 侧拨 三脚插 间距2.0 袋装 PJ. NO.: SS.01.02-05-1001 SIZE: A4 DRW NO.: FINISH: SEE NOTES MAT'L.: SEE NOTES SCALE: N/A REV.: A0 UNIT: mm PAGE: 2/2	
APPD.	JM_Zheng				
CHKD.	LYX				
PDWG.NO:	0101-1	DR.	TSP		