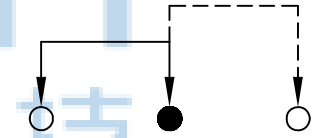
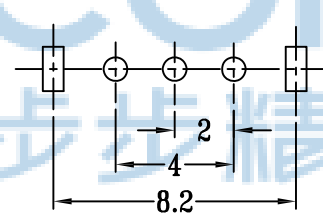
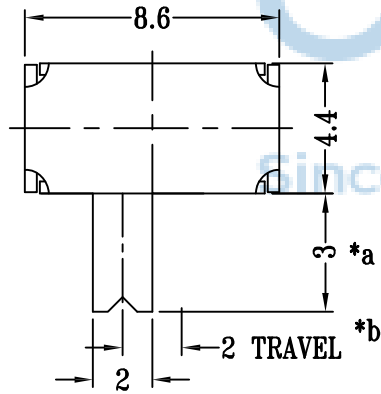
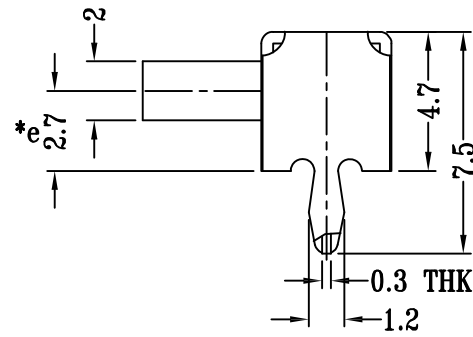
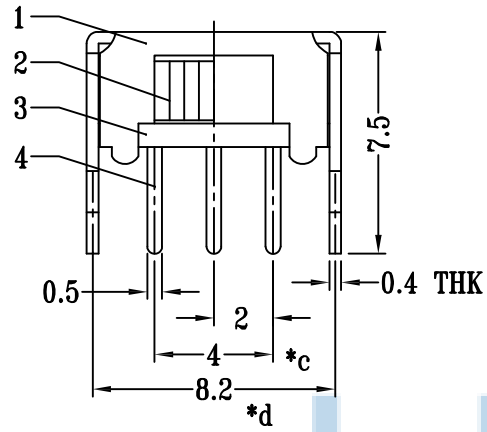


REV.	ECN NO.	CONTENT	DATE	ENGINEER
AO				

额定值 : 0.3A 50VDC  
 接触电阻: 100m max  
 绝缘电阻: 100M MIN  
 耐电压: AC 500V  
 寿命: 10000  
 工作温度: -25 +85



P.C.B LAYOUT  
BOTTOM VIEW

SCHEMATIC (NON-SHORTING)

注 “\*” 表示关键尺寸 (5个)

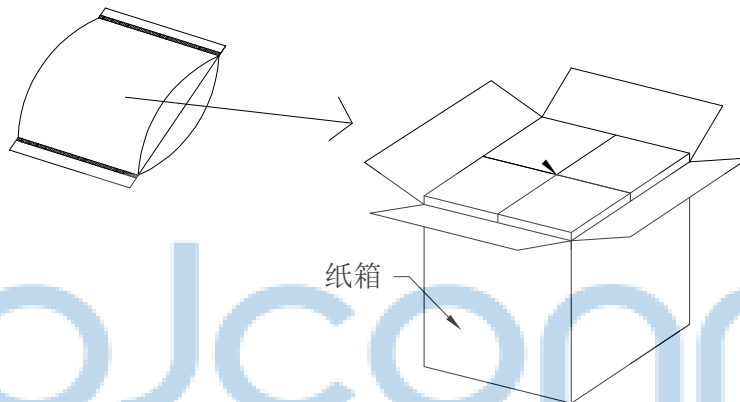


8				
7				
6	SPRING PLATE	SUS	1	Ag PLATED
5	CONTACT CLIP	PBS STRIP	1	Ag PLATED
4	TERMINAL	BRASS STRIP	3	Ag PLATED
3	BASE	PHENOLIC RESIN	1	NATURAL
2	KNOB	POM	1	BLACK
1	FRAME	STEEL STRIP	1	Ni PLATED
NO.	PARTS	MATERIALS	Q'TY	FINISH

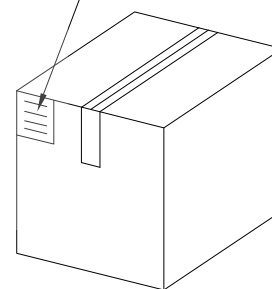
THIS DOCUMENT IS THE SOLE PROPERTY OF BBJconn Technology Co.,Ltd. Corporation AND SHOULD NOT BE USED IN WHOLE OR IN PART WITHOUT PRIOR WRITTEN PERMISSION.	.X: ±0.38 X': ±3"		NAME:	
	.XX: ±0.25 .X': ±2"		深圳市步步精科技有限公司	
	.XXX: ±0.13 .XX': ±1"		拨动开关 SK12D02VG3 高温金码 侧拨 三脚插	
	APPD.	JM_Zheng	PJ. NO.: SS.01.02-04-1002	
CHKD.	LYX	SIZE: A4 DRW NO.:		
DR.	LHC	FINISH: SEE NOTES MAT'L.: SEE NOTES		
PDWG.NO: 0101-1		SCALE: N/A	REV.: AO	UNIT: mm PAGE: 1/1

REV.	ECN NO	CONTENT	DATE	ENGINEER
A0				

PE袋规格: 260\*185



成品标签



1. 包装要求:
- 1.1 每个PE袋包装1000pcs ;
  - 1.2 每1袋放一小纸盒;
  - 1.3 每20个小纸盒放一个纸箱, 共计20000 pcs ;
  - 1.4 纸箱外贴上标签

THIS DOCUMENT IS THE SOLE PROPERTY OF BBJconn Technology Co.,Ltd. Corporation AND SHOULD NOT BE USED IN WHOLE OR IN PART WITHOUT PRIOR WRITTEN PERMISSION.		深圳市步步精科技有限公司 .X: ±0.38 X': ±3" NAME: 拨动开关 SK12D02VG3 高温金码 侧拨 三脚插 .XX: ±0.25 X'': ±2" PJ. NO.: SS.01.02-04-1002 .XXX: ±0.13 XX': ±1" SIZE: A4 DRW NO.: FINISH: SEE NOTES MAT'L.: SEE NOTES SCALE: N/A REV.: A0 UNIT: mm PAGE: 1/1	
APPD.	JM_Zheng		
CHKD.	LYX		
PDWG.NO:	0101-1	DR.	LHC