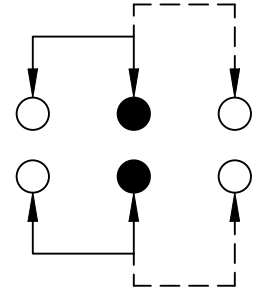
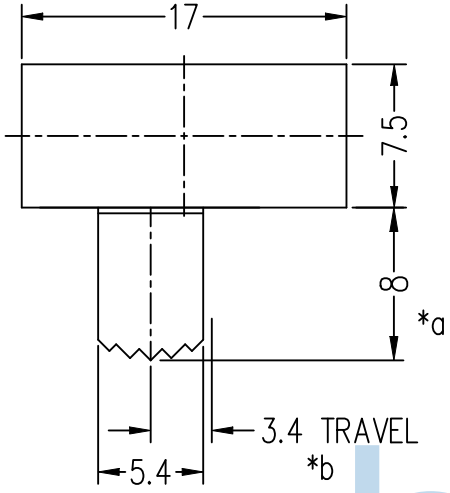


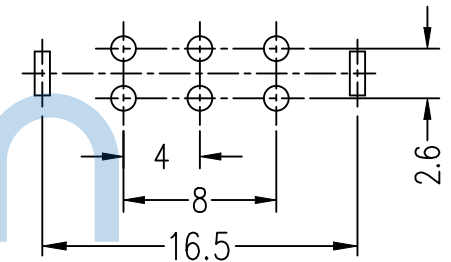
REV.	ECN NO	CONTENT	DATE	ENGINEER
A0		Initial release	/	TSP

额定值：0.3A 50VDC
 接触电阻：100m max
 绝缘电阻：100M MIN
 耐电压：AC 500V
 寿命：10000
 工作温度：-25 +85

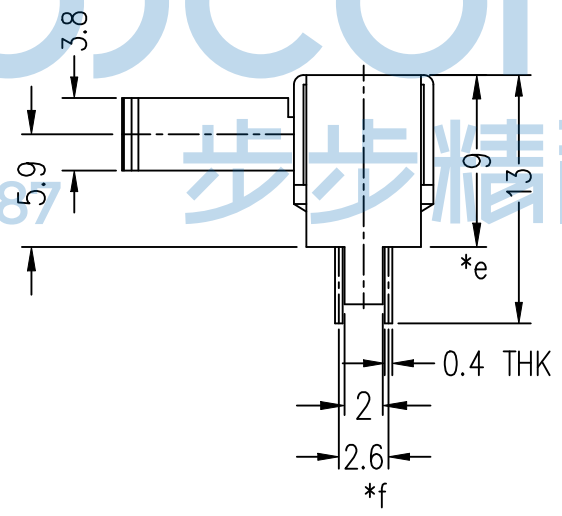
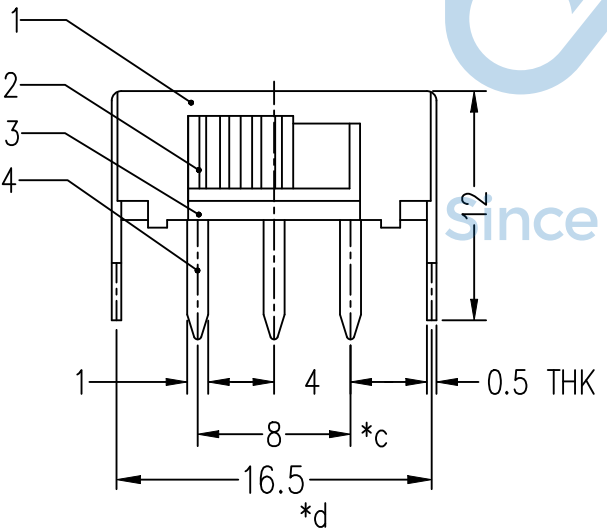


SCHMATIC (NON-SHORTING)

注：“*”表示关键尺寸 (6个)



P.C.B LAYOUT
BOTTOM VIEW



NO.	PARTS	MATERIALS	Q'TY	FINISH
6	SPRING	SUS	2	NATURAL
5	CONTACT	BRASS STRIP	2	Ag PLATED
4	TERMINAL	BRASS STRIP	6	Ag PLATED
3	BASE	PHENOLIC RESIN	1	NATURAL
2	KNOB	PA66	1	BLACK
1	FRAME	STEEL STRIP	1	Ni PLATED

THIS DOCUMENT IS THE SOLE PROPERTY OF BBJconn Technology Co.,Ltd. Corporation AND SHOULD NOT BE USED IN WHOLE OR IN PART WITHOUT PRIOR WRITTEN PERMISSION.

PDWG.NO: 0101-1

DR. TSP

APPD. JM_Zheng

CHKD. LYX

APPROVED

深圳市步步精科技有限公司

NAME: 拨动开关 SK22F02G8 侧拨 六脚插 间距4.0 袋装

PJ. NO.: SS.01.01-09-1001

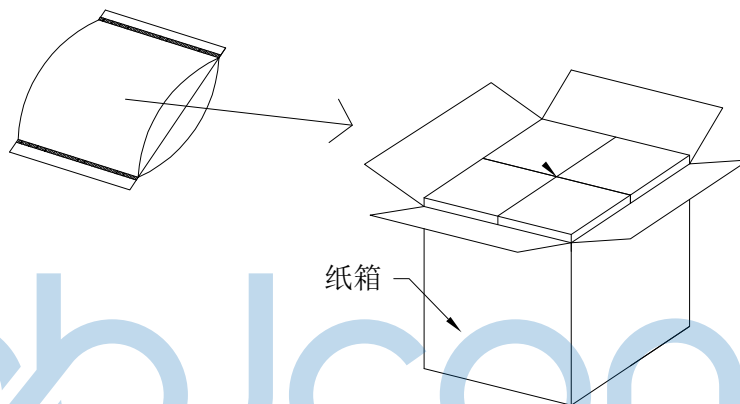
SIZE: A4 | DRW NO.:

FINISH: SEE NOTES | MAT'L.: SEE NOTES

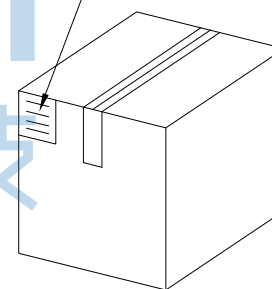
SCALE: N/A | REV.: A0 | UNIT: mm | PAGE: 1/2

REV.	ECN NO	CONTENT	DATE	ENGINEER
A0		Initial release	/	TSP

PE袋规格: 260*185



成品标签



1. 包装要求:

- 1.1 每个PE袋包装500pcs;
- 1.2 每1袋放一小纸盒;
- 1.3 每20个小纸盒放一个纸箱, 共计10000pcs;
- 1.4 纸箱外贴上标签



THIS DOCUMENT IS THE SOLE PROPERTY OF BBJconn Technology Co.,Ltd.		深圳市步步精科技有限公司	
Corporation AND SHOULD NOT BE USED IN WHOLE OR IN PART WITHOUT PRIOR WRITTEN PERMISSION.		NAME: 拨动开关 SK22F02G8 侧拨 六脚插 间距4.0 袋装	
APPD.	JM_Zheng	FINISH: SEE NOTES	MAT'L.: SEE NOTES
CHKD.	LYX	SCALE: N/A	REV.: A0
PDWG.NO:	0101-1	DR.	TSP
		PJ. NO.: SS.01.01-09-1001	UNIT: mm
		SIZE: A4	PAGE: 2/2