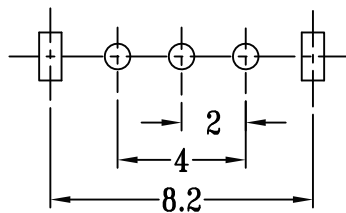
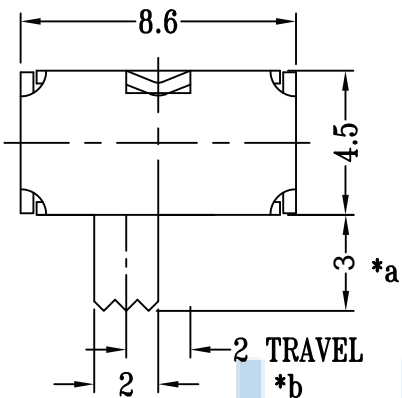


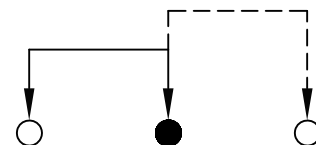
REV.	ECN NO.	CONTENT	DATE	ENGINEER
AO				

额定值：0.3A 50VDC
 接触电阻：100m max
 绝缘电阻：100M MIN
 耐电压：AC 500V
 寿命：10000
 工作温度：-25 +85

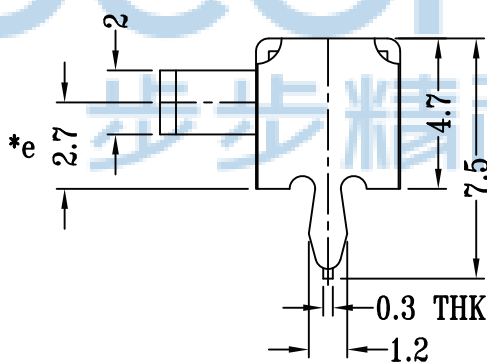
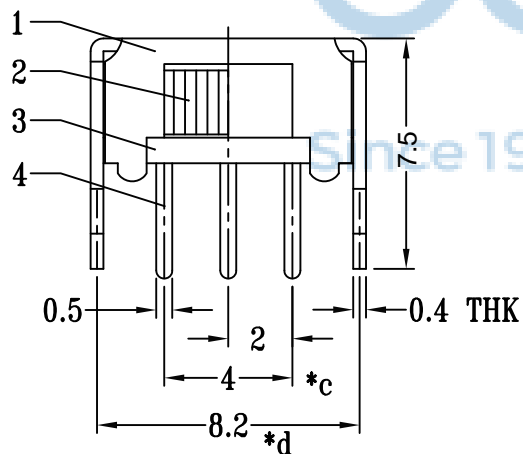


P.C.B LAYOUT
BOTTOM VIEW

注：“*”表示关键尺寸（5个）



SCHEMATIC (NON-SHORTING)

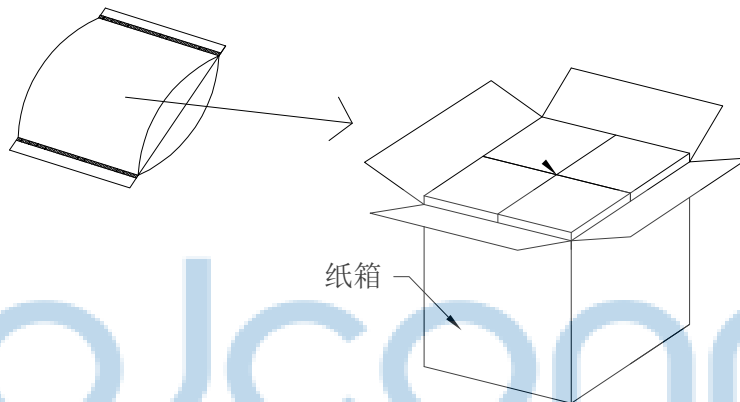


NO.	PARTS	MATERIALS	Q'TY	FINISH
8				
7				
6				
5	CONTACT CLIP	PBS STRIP	1	Ag PLATED
4	TERMINAL	BRASS STRIP	3	Ag PLATED
3	BASE	PHENOLIC RESIN	1	NATURAL
2	KNOB	POM	1	BLACK
1	FRAME	STEEL STRIP	1	Ni PLATED

THIS DOCUMENT IS THE SOLE PROPERTY OF BBJconn Technology Co.,Ltd. Corporation AND SHOULD NOT BE USED IN WHOLE OR IN PART WITHOUT PRIOR WRITTEN PERMISSION.		深圳市步步精科技有限公司 .X: ±0.38 .X': ±3" .XX: ±0.25 .X": ±2" .XXX: ±0.13 .XX': ±1"	
APPD.	JM_Zheng	NAME: 拨动开关 SK12D02G3 弹片 侧拨 三脚直插	
CHKD.	LYX	PJ. NO.:SS.01.01-04-1001	
DR.	LHC	SIZE: A4 DRW NO.:	
PDWG.NO: 0101-1		FINISH: SEE NOTES MAT'L.: SEE NOTES	
		SCALE: N/A REV.: A3 UNIT: mm PAGE: 1/1	

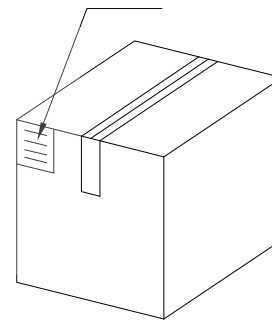
REV.	ECN NO	CONTENT	DATE	ENGINEER
A0				

PE袋规格: 260*185




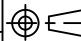
bbJconn
Since 1987 步步精科技

成品标签



1. 包装要求:

- 1.1 每PE袋包装 1000 pcs;
- 1.2 每1袋放一小纸盒;
- 1.3 每20个小纸盒放一个纸箱, 共计20000PCS
- 1.4 纸箱外贴上标签

THIS DOCUMENT IS THE SOLE PROPERTY OF BBJconn Technology Co.,Ltd. Corporation AND SHOULD NOT BE USED IN WHOLE OR IN PART WITHOUT PRIOR WRITTEN PERMISSION.		 深圳市步步精科技有限公司 .X: ±0.38 X': ±3" NAME: .XX: ±0.25 X": ±2" 拨动开关 SK12D02G3 弹片 侧拨 三脚直插 .XXX: ±0.13 XX': ±1"	
APPD.	JM_Zheng	 PJ. NO.:SS.01.01-04-1001 SIZE: A4 DRW NO.:	
CHKD.	LYX		
PDWG.NO: 0101-1	DR. LHC	FINISH: SEE NOTES MAT'L.: SEE NOTES	
		SCALE: N/A REV.: A3 UNIT: mm PAGE: 1/1	