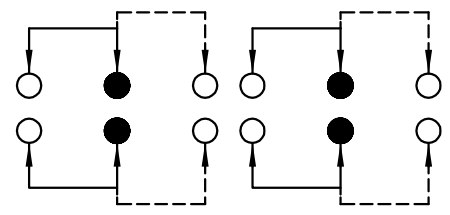
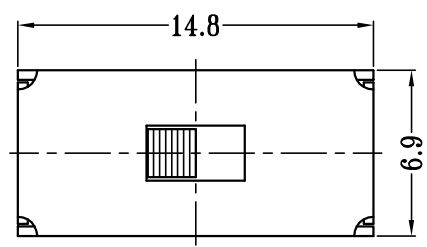


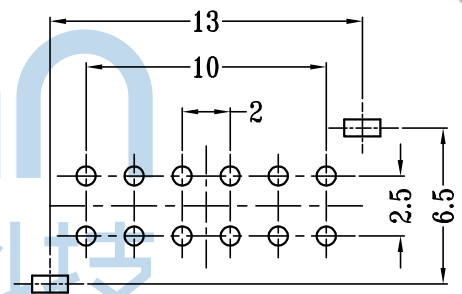
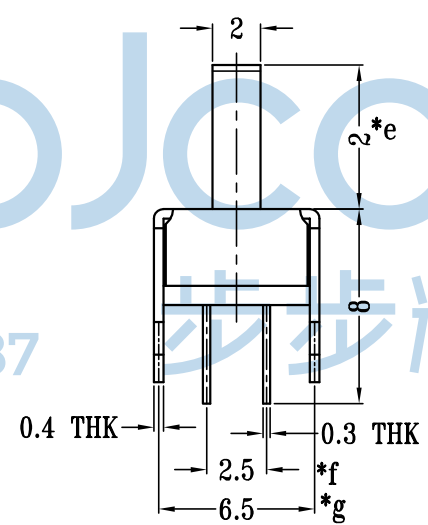
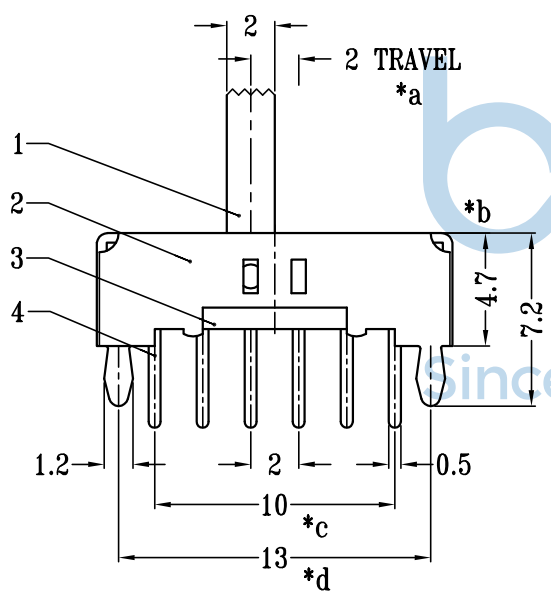
REV.	ECN NO.	CONTENT	DATE	ENGINEER
A0		Initial release	/	TSP

额定值：0.3A 50VDC  
 接触电阻：100m max  
 绝缘电阻：100M MIN  
 耐电压：AC 500V  
 寿命：10000  
 工作温度：-25 +85

注：“\*”表示关键尺寸(7个)



**SCHEMATIC (NON-SHORTING)**



**P.C.B LAYOUT  
BOTTOM VIEW**

8				
7				
6	SPRING PLATE	PBS STRIP	1	NATURAL
5	CONTACT CLIP	PBS STRIP	4	Ag CLAD
4	TERMINAL	BRASS STRIP	12	Ag PLATED
3	BASE	PHENOLIC RESIN	1	NATURAL
2	FRAME	STEEL STRIP	1	Ni PLATED
1	KNOB	PA66	1	BLACK
NO.	PARTS	MATERIALS	Q'TY	FINISH

THIS DOCUMENT IS THE SOLE PROPERTY OF BBJconn Technology Co.,Ltd. Corporation AND SHOULD NOT BE USED IN WHOLE OR IN PART WITHOUT PRIOR WRITTEN PERMISSION.

PDWG.NO: 0101-1 DR. TSP

**深圳市步步精科技有限公司**

NAME: 拨动开关 SS42D02G2 高温金码 十二脚直插

APPD. JM\_Zheng

CHKD. LYX

PJ. NO.: 107-020-020001-T5G

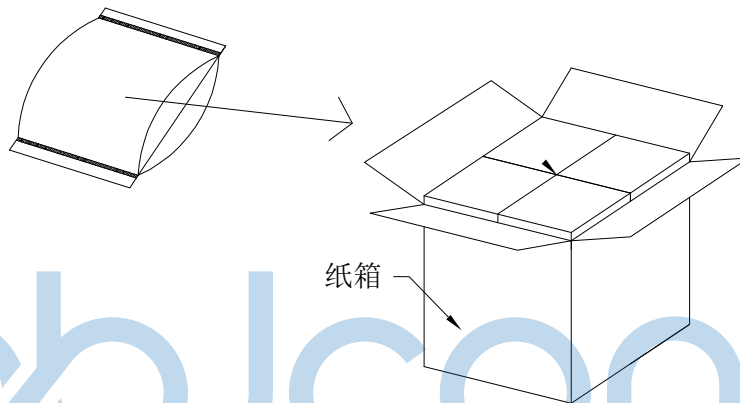
SIZE: A4 DRW NO.:

FINISH: SEE NOTES MAT'L.: SEE NOTES

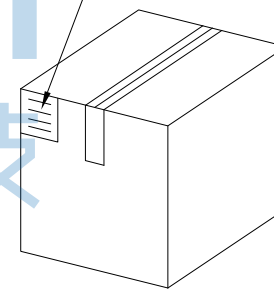
SCALE: N/A REV.: A0 UNIT: mm PAGE: 1/2

REV.	ECN NO	CONTENT	DATE	ENGINEER
A0		Initial release	/	TSP

PE袋规格: 260\*185



成品标签



1. 包装要求:

- 1.1 每个PE袋包装500pcs;
- 1.2 每1袋放一小纸盒;
- 1.3 每20个小纸盒放一个纸箱, 共计10000pcs;
- 1.4 纸箱外贴上标签



THIS DOCUMENT IS THE SOLE PROPERTY OF BBJconn Technology Co.,Ltd. Corporation AND SHOULD NOT BE USED IN WHOLE OR IN PART WITHOUT PRIOR WRITTEN PERMISSION.		深圳市步步精科技有限公司 .X: ±0.38    .X': ±3" .XX: ±0.25    .X'': ±2" .XXX: ±0.13    .XX': ±1"		NAME: 拨动开关 SS42D02G2 高温金码 十二脚直插 PJ. NO.: 107-020-020001-T5G SIZE: A4   DRW NO.:	
APPD.	JM_Zheng			FINISH: SEE NOTES   MAT'L.: SEE NOTES	
CHKD.	LYX	SCALE: N/A		REV.: A0	UNIT: mm
PDWG.NO:	0101-1	DR.	TSP	PAGE: 2/2	