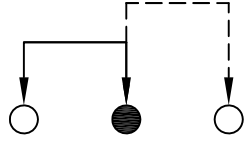
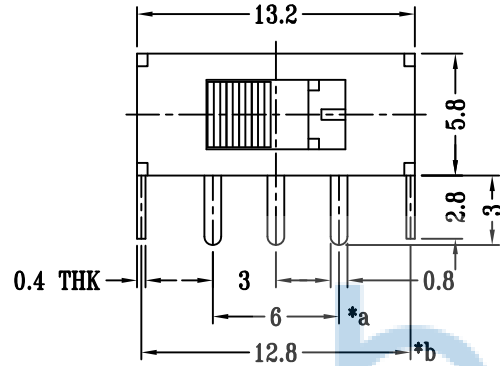
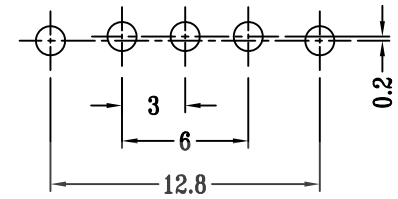


| REV. | ECN NO | CONTENT | DATE | ENGINEER |
|------|--------|-----------------|------|----------|
| A0 | | Initial release | / | SGF |

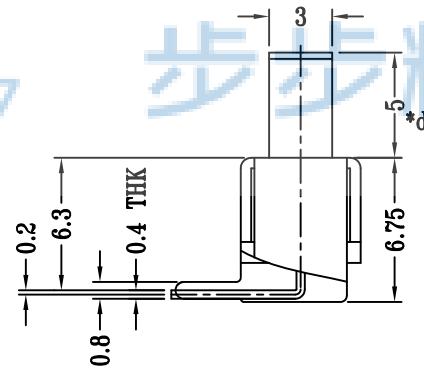
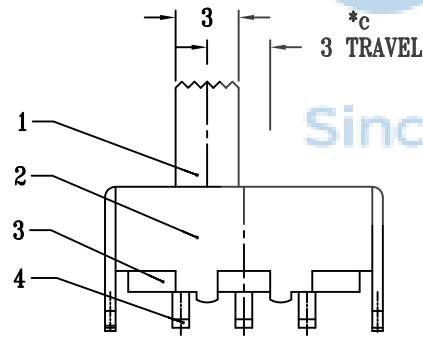
额定值：0.3A 50VDC
 接触电阻：100m max
 绝缘电阻：100M MIN
 耐电压：AC 500V
 寿命：10000
 工作温度：-25 +85



SCHEMATIC (NON-SHORTING)



**P.C.B LAYOUT
BOTTOM VIEW**



注：“*”表示关键尺寸(4个).

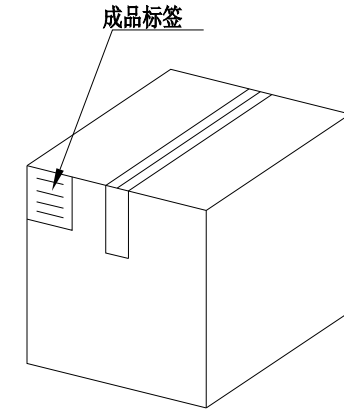
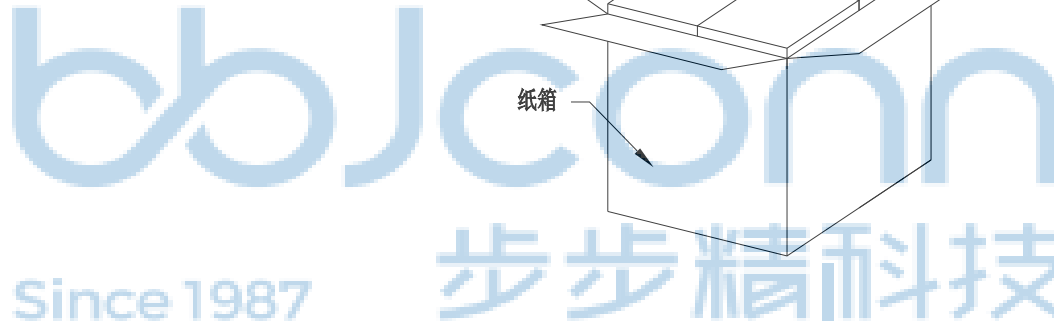
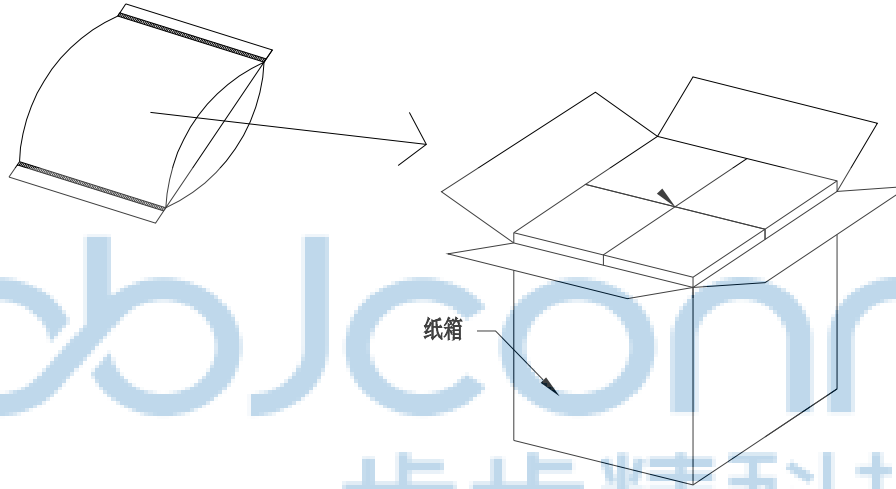


| NO. | PARTS | MATERIALS | Q'TY | FINISH |
|-----|----------|----------------|------|-----------|
| 8 | | | | |
| 7 | | | | |
| 6 | SPRING | STEEL WIRE | 1 | NATURAL |
| 5 | CONTACT | BRASS STRIP | 1 | Ag PLATED |
| 4 | TERMINAL | BRASS STRIP | 3 | Ag PLATED |
| 3 | BASE | PHENOLIC RESIN | 1 | NATURAL |
| 2 | FRAME | STEEL STRIP | 1 | Ni PLATED |
| 1 | KNOB | PA66 | 1 | BLACK |

| | | | |
|--|----------|--|----------------------------------|
| THIS DOCUMENT IS THE SOLE PROPERTY OF BBJconn Technology Co.,Ltd. Corporation AND SHOULD NOT BE USED IN WHOLE OR IN PART WITHOUT PRIOR WRITTEN PERMISSION. | | 深圳市步步精科技有限公司 | |
| PDWG.NO: 0101-1 | | .X: ±0.38 .XX: ±0.25 .XXX: ±0.13 | X': ±3' .X': ±2' .XX': ±1' |
| APPD. | JM_Zheng | NAME: 拨动开关 SS12F23G5 高温 三脚弯插 | |
| CHKD. | LYX | PJ. NO.: SS.02.01-06-1008 | |
| | | SIZE: A4 DRW NO.: | |
| | | FINISH: SEE NOTES MAT'L.: SEE NOTES | |
| | | SCALE: N/A | REV.: A0 UNIT: mm PAGE: 1/2 |

| | | | | |
|------|---------|-----------------|------|----------|
| REV. | ECN NO. | CONTENT | DATE | ENGINEER |
| AO | | Initial release | / | SGF |

PE袋规格:***X*** (以实际出货为准)



1. 包装要求:

- 1.1 每PE袋包装1000 pcs;
- 1.2 每1袋放一小纸盒;
- 1.3 每20个小纸盒放一个纸箱, 共计20000PCS
- 1.4 纸箱外贴上标签



| | | | | | |
|--|----------|--|-----|--|-----------|
| THIS DOCUMENT IS THE SOLE PROPERTY OF BBJconn Technology Co.,Ltd. Corporation AND SHOULD NOT BE USED IN WHOLE OR IN PART WITHOUT PRIOR WRITTEN PERMISSION. | | 深圳市步步精科技有限公司 .X: ±0.38 .X': ±3" .XX: ±0.25 .X'': ±2" .XXX: ±0.13 .XX': ±1" | | NAME: 拨动开关 SS12F23G5 高温 三脚弯插 PJ. NO.: SS.02.01-06-1008 SIZE: A4 DRW NO.: | |
| APPD. | JM_Zheng | | | FINISH: SEE NOTES MAT'L.: SEE NOTES | |
| CHKD. | LYX | SCALE: N/A | | REV.: AO | UNIT: mm |
| PDWG.NO: | 0101-1 | DR. | SGF | | PAGE: 2/2 |