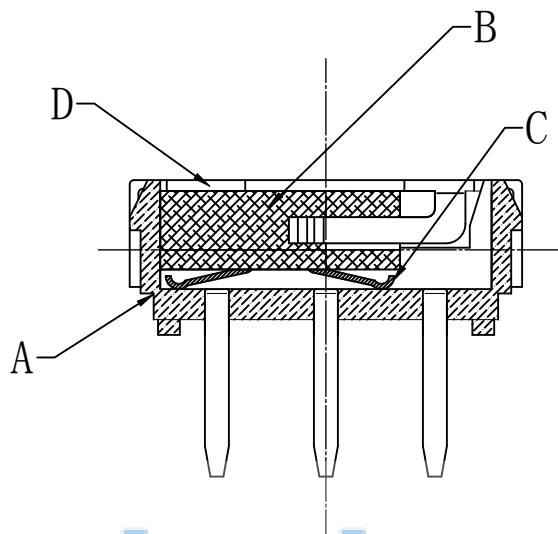
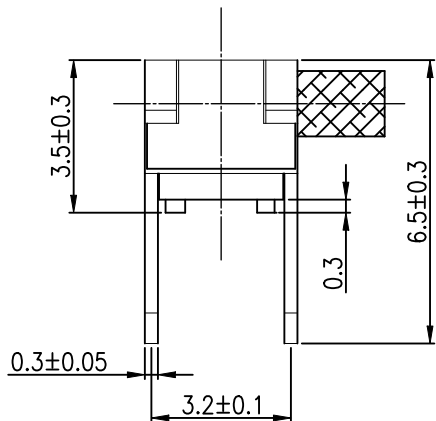
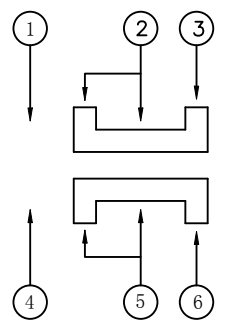
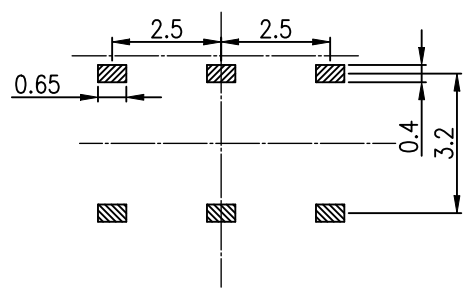
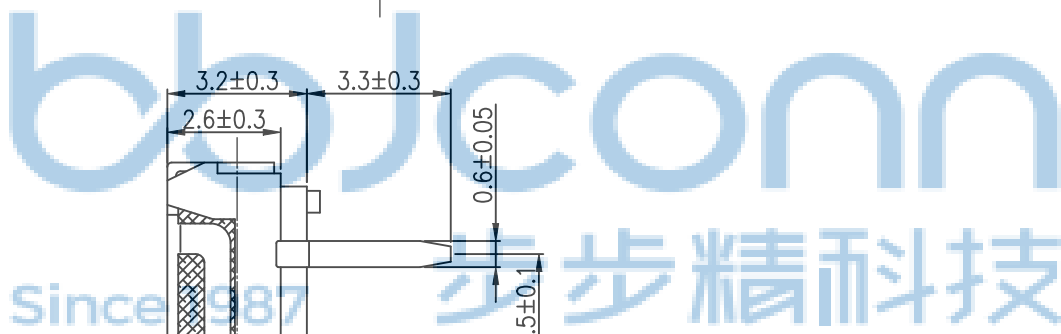
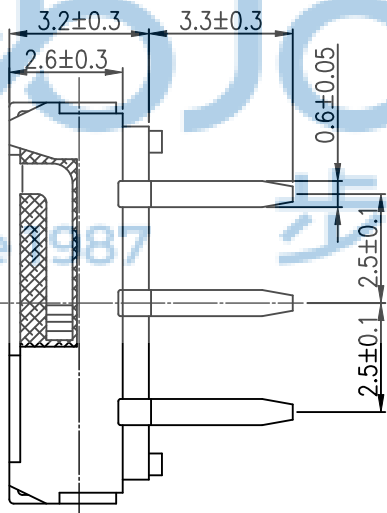
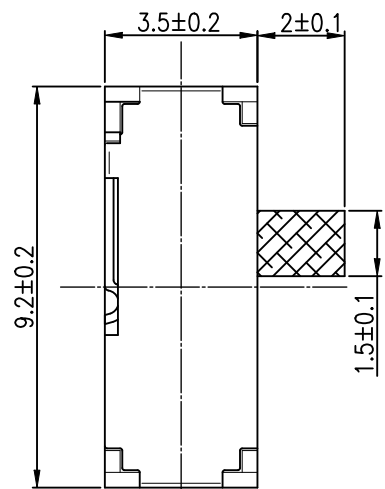


REV.	ECN NO	CONTENT	DATE	ENGINEER
A0				



项目	规格
额定范围:	100mA DC12V
绝缘电阻:	100mΩ min(DC100V)
耐压强度:	AC100V (50/60Hz foy 1 minute)
机械寿命:	10,000 cycles
操作温度:	-10℃~60℃
操作力度:	200±50gf
	150±50gf
材料属性:	环保 (SGS)



D	盖子	1	进口不锈钢	银白色
C	接触簧片	2	进口复银磷青铜	银白色镀银
B	按键	1	增强尼龙	黑色
A	底座	1	PPA	黑色与镀银
序号	名称	数量	材料	镀涂 颜色

THIS DOCUMENT IS THE SOLE PROPERTY OF BBJconn Technology Co.,Ltd. Corporation AND SHOULD NOT BE USED IN WHOLE OR IN PART WITHOUT PRIOR WRITTEN PERMISSION.

PDWG:NO: 0106-1

DR. TSP

APPD. JM_Zheng

CHKD. LYX

NAME: 深圳市步步精科技有限公司
拨动开关 SK-05C-G2.0 侧拨 六脚插件 无柱 DIP

PJ. NO.: SS.01.01-2D-0001

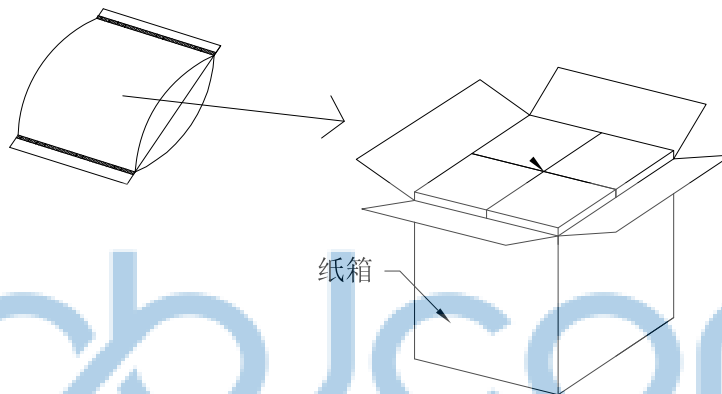
SIZE: A4 DRW NO.:

FINISH: SEE NOTES MAT'L.: SEE NOTES

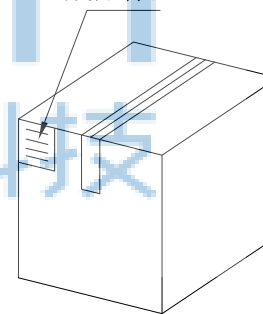
SCALE: N/A REV.: A3 UNIT: mm PAGE: 1/2

REV.	ECN NO	CONTENT	DATE	ENGINEER
A0				

PE袋规格: 260*185



成品标签



1. 包装要求:
- 1.1 每个PE袋包装1000PCS;
 - 1.2 每1袋放一小纸盒;
 - 1.3 每20个小纸盒放一个纸箱, 共计20000PCS ;
 - 1.4 纸箱外贴上标签



THIS DOCUMENT IS THE SOLE PROPERTY OF		深圳市步步精科技有限公司	
BBJconn Technology Co., Ltd. Corporation AND SHOULD NOT BE USED IN WHOLE OR IN PART WITHOUT PRIOR WRITTEN PERMISSION.		NAME: 拨动开关 SK-05C-G2.0 侧拨 六脚插件 无柱 DIP	
PDWG.NO: 0106-1		APPD. JM_Zheng	PJ. NO.: SS.01.01-2D-0001
CHKD. LYX		SIZE: A4 DRW NO.:	
DR. TSP		FINISH: SEE NOTES MAT'L.: SEE NOTES	
		SCALE: N/A REV.: A3 UNIT: mm PAGE: 2/2	