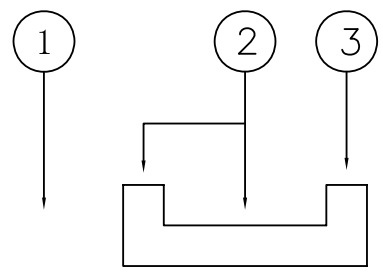
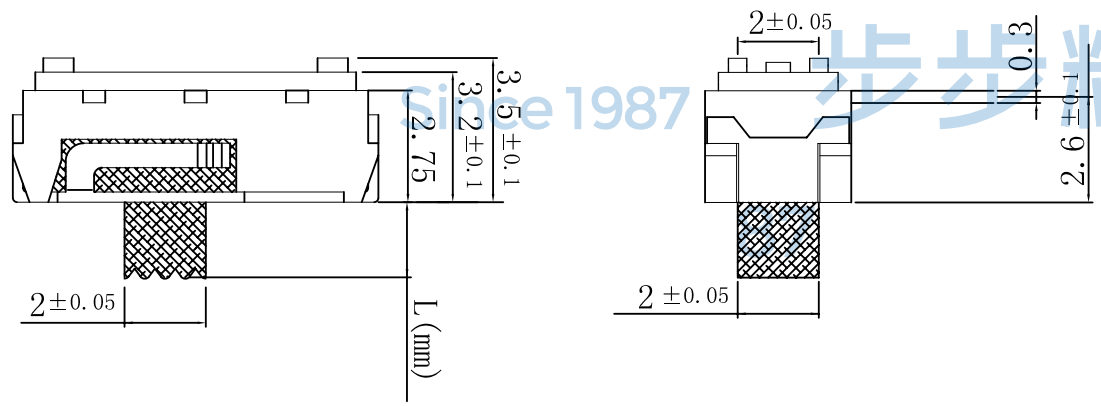
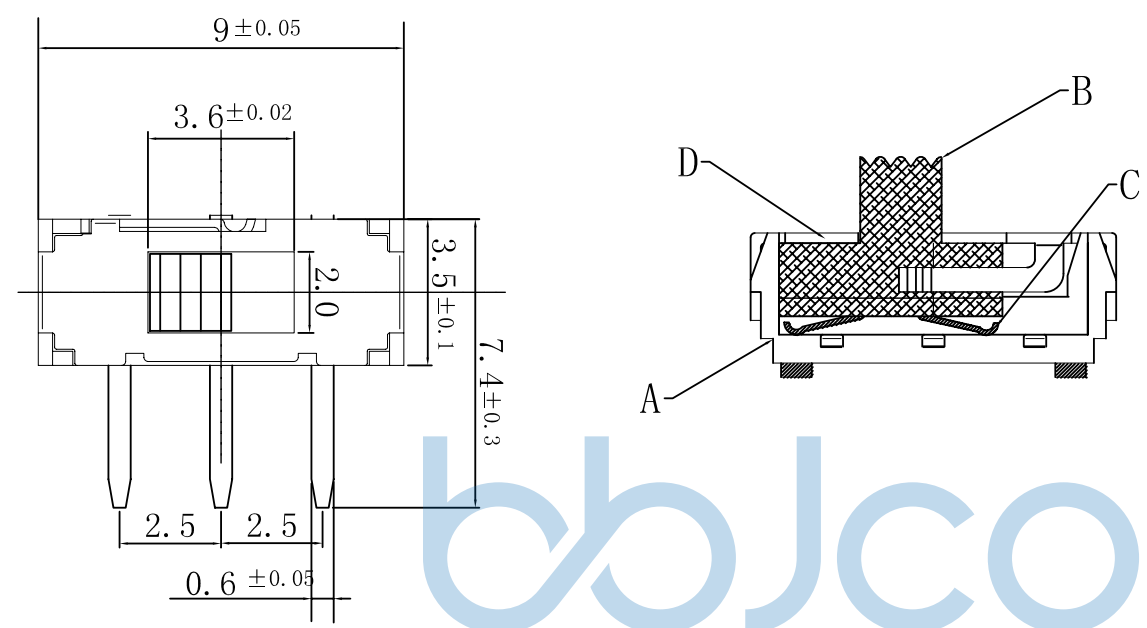


REV.	ECN NO.	CONTENT	DATE	ENGINEER
AO				

项 目	规 格
额定范围:	50mA DC12V
绝缘电阻:	100mΩ min(DC100V)
耐压强度:	AC100V (50/60Hz foy 1 minute)
机械寿命:	10,000 cycles
操作温度:	-10°C ~ +60°C
操作力度:	200±50gf
	150±50gf
材料属性:	环保 (SGS)



D	盖 子	1	不锈钢	银 白 色
C	接 触 簧 片	1	进口复银磷青铜	银白色镀银
B	按 键	1	4530 POM	黑 色
A	底 座	1	P P A	黑色与镀银
序号	名 称	数量	材 料	镀涂 颜色

THIS DOCUMENT IS THE SOLE PROPERTY OF BBJconn Technology Co.,Ltd. Corporation AND SHOULD NOT BE USED IN WHOLE OR IN PART WITHOUT PRIOR WRITTEN PERMISSION.

深圳市步步精科技有限公司

NAME: 拨动开关 BBJ-SK-052E-G2.0 立式 边三脚 无柱 DIP

APPD. JM_Zheng

CHKD. LYX

DR. TSP

PJ. NO.: SS.01.01-02-4001

SIZE: A4 DRW NO.:

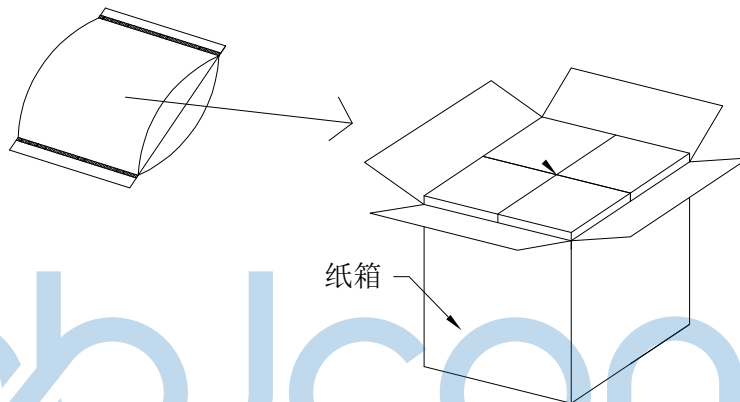
FINISH: SEE NOTES MAT'L.: SEE NOTES

SCALE: N/A REV.: AO UNIT: mm PAGE: 1/2

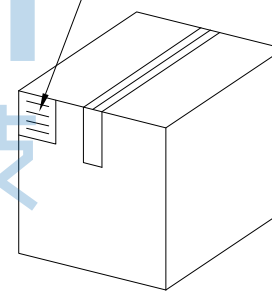
PDWG.NO: 0106-1

REV.	ECN NO.	CONTENT	DATE	ENGINEER
A0				

PE袋规格: 260*185



成品标签



1. 包装要求:

- 1.1 每个PE袋包装1000pcs;
- 1.2 每1袋放一小纸盒;
- 1.3 每20个小纸盒放一个纸箱, 共计20000pcs;
- 1.4 纸箱外贴上标签



THIS DOCUMENT IS THE SOLE PROPERTY OF BBJconn Technology Co.,Ltd. Corporation AND SHOULD NOT BE USED IN WHOLE OR IN PART WITHOUT PRIOR WRITTEN PERMISSION.		深圳市步步精科技有限公司 .X: ±0.38 .XX: ±0.25 .XXX: ±0.13 X': ±3" X'': ±2" XX': ±1"		NAME: 拨动开关 BBJ-SK-052E-G2.0 立式 边三脚 无柱 DIP PJ. NO.: SS.01.01-02-4001 SIZE: A4 DRW NO.: FINISH: SEE NOTES MAT'L.: SEE NOTES SCALE: N/A REV.: A0 UNIT: mm PAGE: 2/2	
APPD.	JM_Zheng	CHKD.	LYX	DR.	TSP
PDWG.NO: 0106-1					