

电气性能	
额定规格	DC12V/50mA
接触电阻	≤100mΩ
绝缘电阻	≥100MΩ
耐电压	AC250V/min
动作力	260 ± 50gf
使用寿命	100,000次



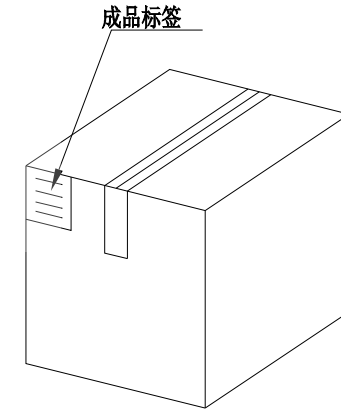
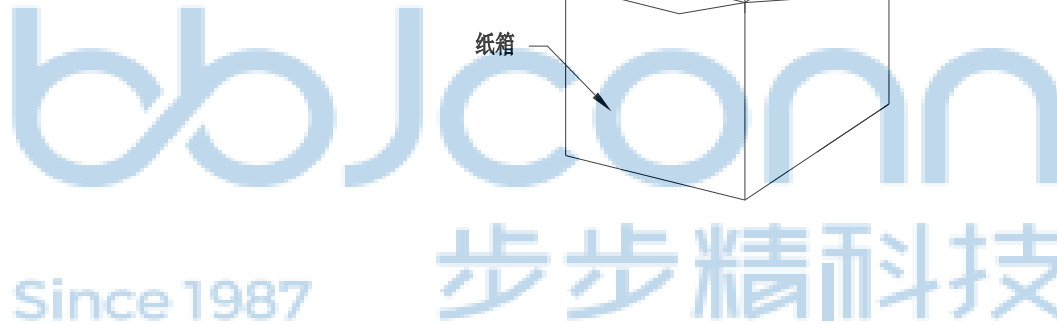
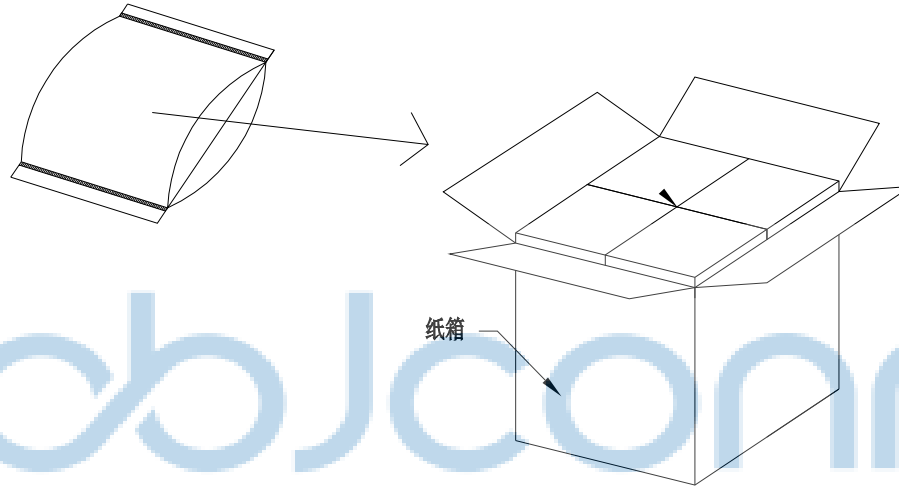
序号	产品名称	材料规格	表面处理	数量
①	按钮	PPA	黑色	1
②	盖板	铁	镀铜锡	1
③	弹片	不锈钢		1
④	底座	PPA	黑色	1
⑤	嵌件	铜	镀银	1



THIS DOCUMENT IS THE SOLE PROPERTY OF BBJconn Technology Co., Ltd. Corporation AND SHOULD NOT BE USED IN WHOLE OR IN PART WITHOUT PRIOR WRITTEN PERMISSION.		深圳市步步精科技有限公司	
.X: ±0.38 .X': ±3' .XX: ±0.25 .X'': ±2' .XXX: ±0.13 .X''': ±1'		NAME: 轻触开关 4.5x4.5x9 直插 不锈钢弹片 260GF	
APPD.	JM_Zheng	PJ. NO.: TS.17.21-21-36-01	
CHKD.	LYX	SIZE: A4 DRW NO.:	
PDWG.NO:	0343-1	DR.	SGF
		FINISH: SEE NOTES	MAT'L.: SEE NOTES
		SCALE: N/A	REV.: A0
		UNIT: mm	PAGE: 1/2

REV.	ECN NO	CONTENT	DATE	ENGINEER
A0		Initial release	/	SGF

PE袋规格:***X*** (以实际出货为准)



1. 包装要求:

- 1.1 每PE袋包装1000pcs;
- 1.2 每1袋放一小纸盒;
- 1.3 每20个小纸盒放一个纸箱, 共计20000PCS
- 1.4 纸箱外贴上标签



THIS DOCUMENT IS THE SOLE PROPERTY OF BBJconn Technology Co.,Ltd. Corporation AND SHOULD NOT BE USED IN WHOLE OR IN PART WITHOUT PRIOR WRITTEN PERMISSION.		深圳市步步精科技有限公司 .X: ±0.38 X': ±3' NAME: .XX: ±0.25 X'': ±2' 轻触开关 4.5x4.5x9 直插 不锈钢弹片 260GF .XXX: ±0.13 XX': ±1'	
APPD.	JM_Zheng	PJ. NO.: TS.17.21-21-36-01 SIZE: A4 DRW NO.:	
CHKD.	LYX		
PDWG.NO:	0343-1	DR.	SGF
		FINISH: SEE NOTES	MAT'L.: SEE NOTES
		SCALE: N/A	REV.: A0 UNIT: mm PAGE: 2/2