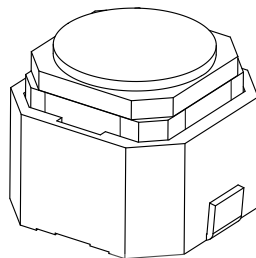
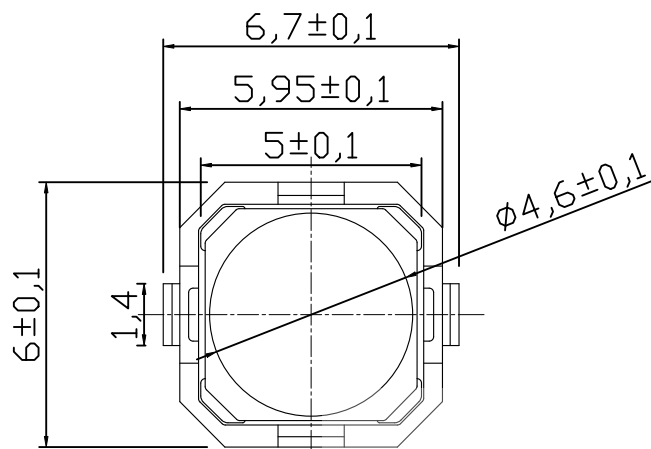
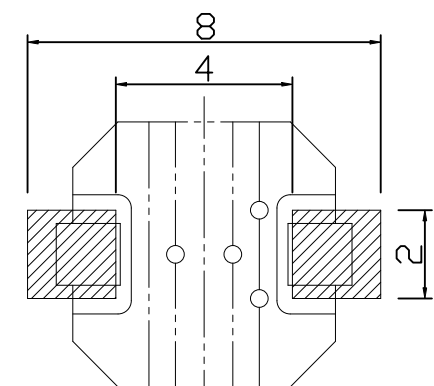
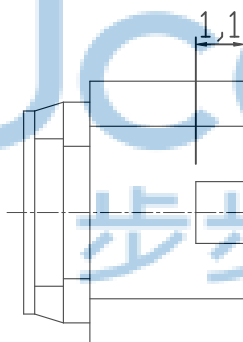
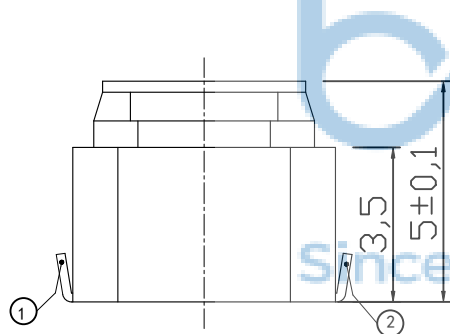


| REV. | ECN NO. | CONTENT | DATE | ENGINEER |
|------|---------|---------|------|----------|
| A0 | | | | |



- 主要技术规格:
1. 额定值: 50mA DC12V
 2. 接触电阻: $\leq 100\text{m}\Omega$
 3. 操作力: $160 \pm 40\text{gf}$
 4. 行程: $1.2 \pm 0.3\text{mm}$
 5. 绝缘电阻: $\geq 100\text{M}\Omega$
 6. 抗电强度: 250V 50HZ 1Min.
 7. 寿命: 100,000 Cycles



PCB. 焊接图



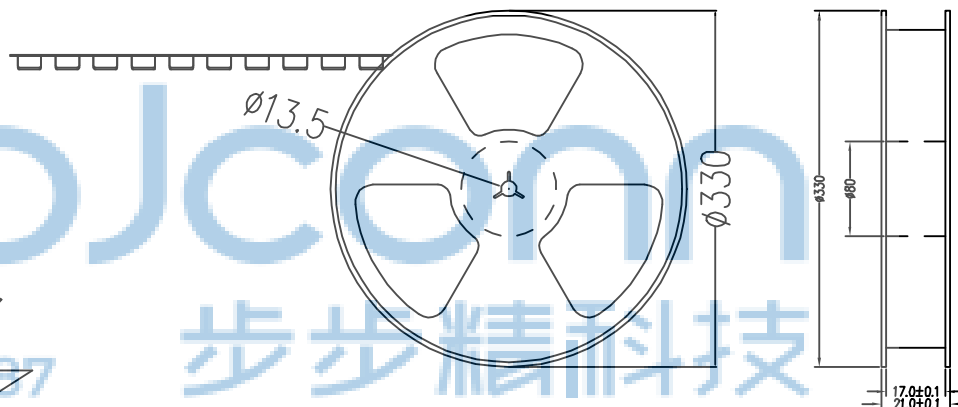
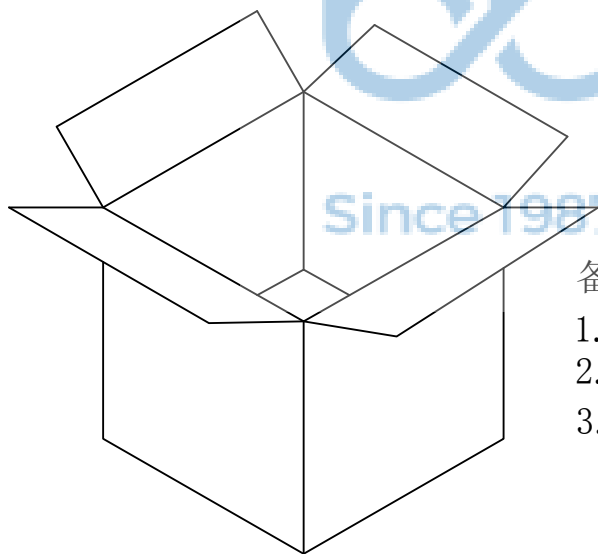
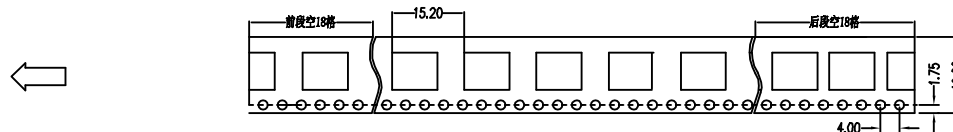
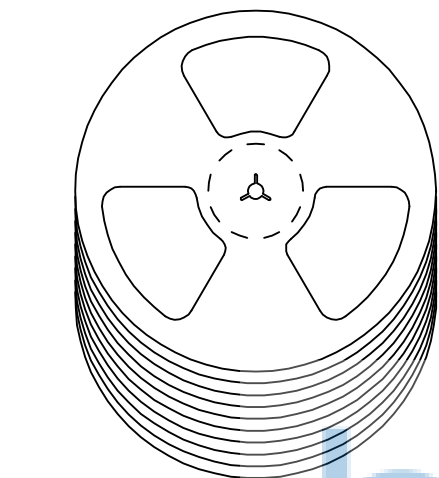
电路图

| 5 | 引脚、触点 | 黄铜 | 1 | 镀银 |
|----|-------|------|----|--------|
| 4 | 基座 | LCP | 1 | 耐温260℃ |
| 3 | 簧片 | 覆银铜 | 1 | 覆银 |
| 2 | 内籽 | 硅胶 | 1 | 耐温260℃ |
| 1 | 按钮 | LCP | 1 | 耐温260℃ |
| 序号 | 零件名称 | 材料规格 | 数量 | 备注 |

THIS DOCUMENT IS THE SOLE PROPERTY OF BBJconn Technology Co., Ltd. Corporation AND SHOULD NOT BE USED IN WHOLE OR IN PART WITHOUT PRIOR WRITTEN PERMISSION.
PDWG.NO: 0459-1

深圳市步步精科技有限公司

| | | |
|---|---|---|
| .X: ± 0.38 .XX: ± 0.25 .XXX: ± 0.13 | X': $\pm 3'$.X': $\pm 2'$.XX': $\pm 1'$ | NAME: 轻触开关 6x6x5.0 无声开关 U型脚 覆银铜弹片 160GF(E013) |
| APPD. JM_Zheng | CHKD. LYX | PJ. NO.: TS.01.13-12-8Z-01 SIZE: A4 DRW NO.: |
| DR. TSP | | FINISH: SEE NOTES MAT'L.: SEE NOTES SCALE: N/A REV.: A0 UNIT: mm PAGE: 1/2 |



备注:

1. 包装数量: 1000/PCS/卷, 10卷/箱。
2. 包装袋长度: 每卷前后各空10-20个空格, 中间包装。
3. 材质:
载体: 聚丙烯 (PS), 阻抗 $10^{6-9} \Omega$
上带: 聚乙烯 (PET), 阻抗 $10^{6-11} \Omega$
卷盘: 聚苯乙烯。

纸箱规格: 345*345*23MM

纸箱规格: 345*345*35MM

| | | | |
|--|----------|---|--|
| THIS DOCUMENT IS THE SOLE PROPERTY OF BBJconn Technology Co.,Ltd. Corporation AND SHOULD NOT BE USED IN WHOLE OR IN PART WITHOUT PRIOR WRITTEN PERMISSION. | | 深圳市步步精科技有限公司 | |
| .X: ±0.38 .XX: ±0.25 .XXX: ±0.13 | | X': ±3" X'': ±2" X'': ±1" | |
| APPD. | JM_Zheng | NAME: 轻触开关 6x6x5.0 无声开关 U型脚 覆银铜弹片 160GF(E013) | |
| CHKD. | LYX | PJ. NO.: TS.01.13-12-8Z-01 | |
| DR. | TSP | SIZE: A4 DRW NO.: | |
| PDWG.NO: 0459-1 | | FINISH: SEE NOTES MAT'L.: SEE NOTES | |
| | | SCALE: N/A REV.: AO UNIT: mm PAGE: 2/2 | |