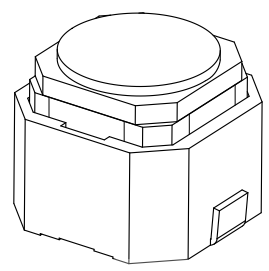
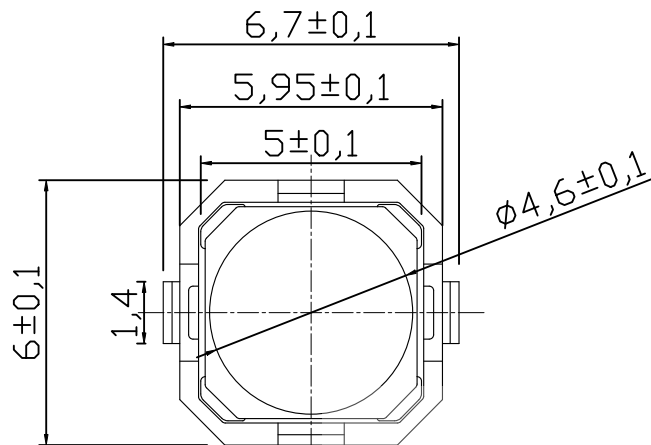
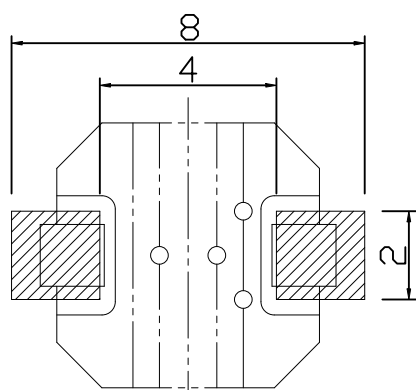
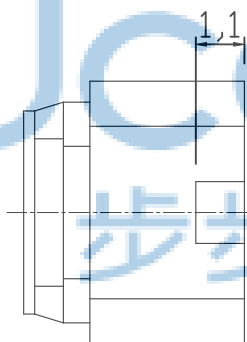
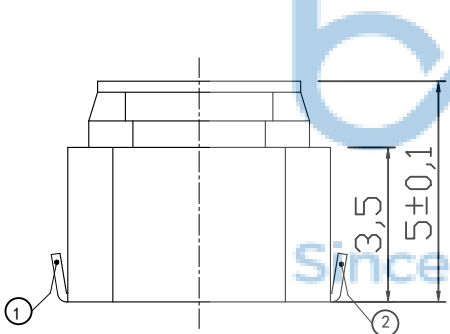


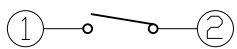
REV.	ECN NO.	CONTENT	DATE	ENGINEER
A0				



- 主要技术规格:
1. 额定值: 50mA DC12V
 2. 接触电阻: ≤100mΩ
 3. 操作力: 250±40gf
 4. 行程: 1.2±0.3mm
 5. 绝缘电阻: ≥100MΩ
 6. 抗电强度: 250V 50HZ 1Min.
 7. 寿命: 100,000 Cycles



PCB. 焊接图



电路图

5	引脚、触点	黄铜	1	镀银
4	基座	LCP	1	耐高温260℃
3	簧片	覆银铜	1	覆银
2	内籽	硅胶	1	耐高温260℃
1	按钮	LCP	1	耐高温260℃
序号	零件名称	材料规格	数量	备注

THIS DOCUMENT IS THE SOLE PROPERTY OF BBJconn Technology Co., Ltd. Corporation AND SHOULD NOT BE USED IN WHOLE OR IN PART WITHOUT PRIOR WRITTEN PERMISSION.

PDWG.NO: 0459-1

深圳市步步精科技有限公司

NAME: 轻触开关 6x6x5.0 无声开关 U型脚 覆银铜弹片 260GF(E013)

APPD. JM_Zheng

CHKD. LYX

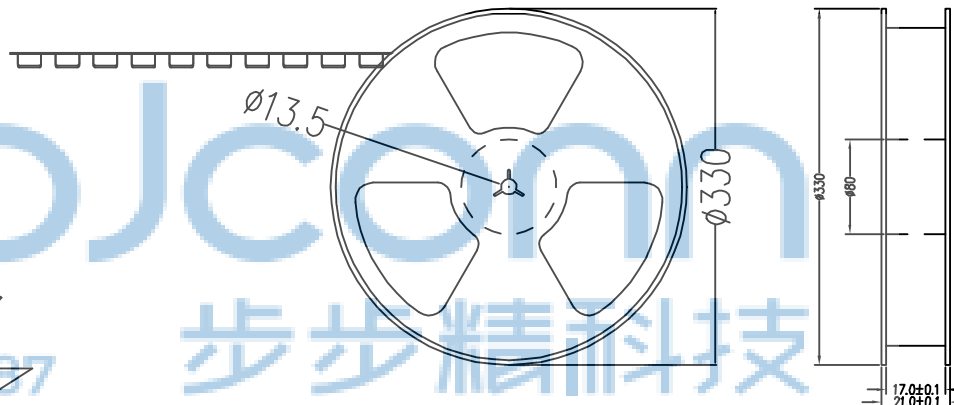
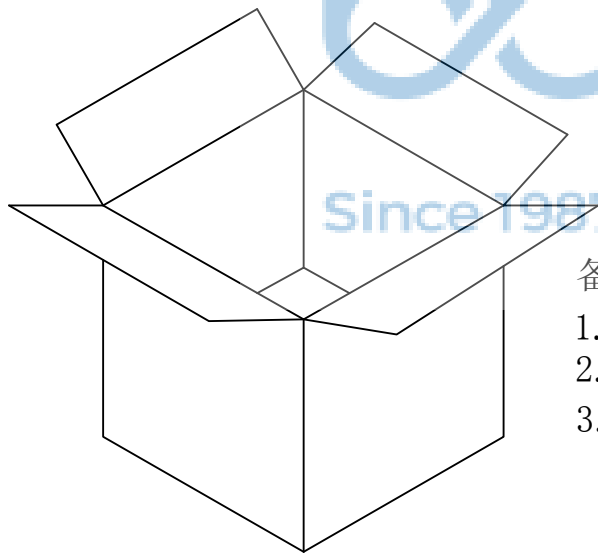
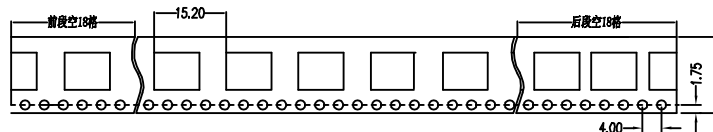
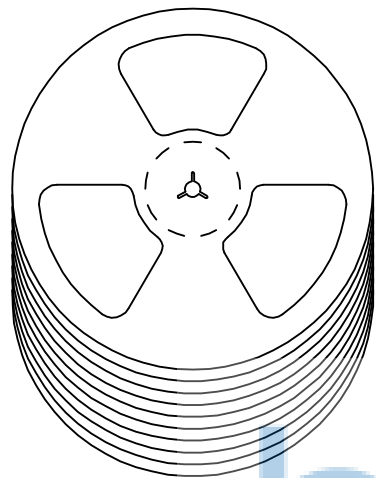
DR. TSP

PJ. NO.: TS.01.13-11-8Z-01

SIZE: A4 | DRW NO.:

FINISH: SEE NOTES | MAT'L.: SEE NOTES

SCALE: N/A | REV.: A0 | UNIT: mm | PAGE: 1/2



备注:

1. 包装数量: 1000/PCS/卷, 10卷/箱。
2. 包装袋长度: 每卷前后各空10-20个空格, 中间包装。
3. 材质:
载体: 聚丙烯 (PS), 阻抗 $10^{6-9} \Omega$
上带: 聚乙烯 (PET), 阻抗 $10^{6-11} \Omega$
卷盘: 聚苯乙烯。

纸箱规格: 345*345*23MM

纸箱规格: 345*345*35MM

THIS DOCUMENT IS THE SOLE PROPERTY OF BBJconn Technology Co.,Ltd. Corporation AND SHOULD NOT BE USED IN WHOLE OR IN PART WITHOUT PRIOR WRITTEN PERMISSION.		深圳市步步精科技有限公司	
.X: ±0.38 .XX: ±0.25 .XXX: ±0.13		X': ±3" .X': ±2" .XX': ±1"	
APPD.	JM_Zheng	NAME: 轻触开关 6x6x5.0 无声开关 U型脚 覆银铜弹片 260GF(E013)	
CHKD.	LYX	PJ. NO.: TS.01.13-11-8Z-01	
DR.	TSP	SIZE: A4 DRW NO.:	
PDWG.NO: 0459-1		FINISH: SEE NOTES MAT'L.: SEE NOTES	
		SCALE: N/A REV.: AO UNIT: mm PAGE: 2/2	