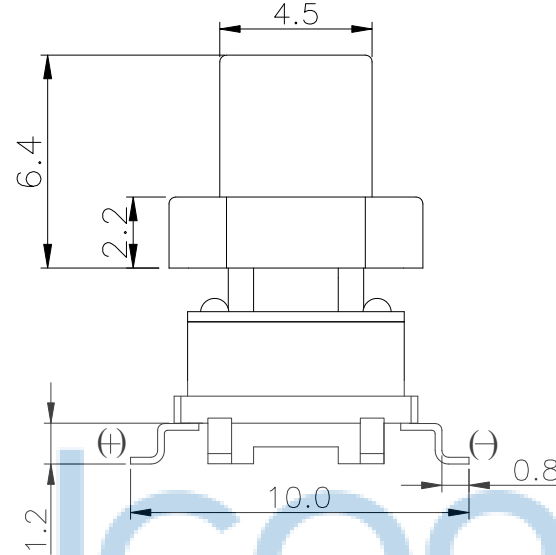
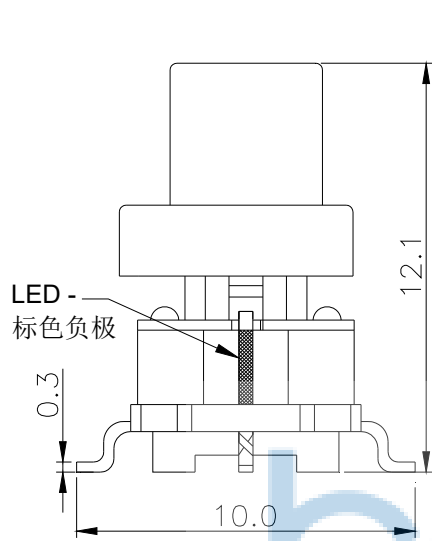
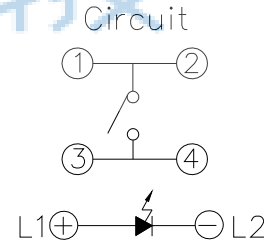
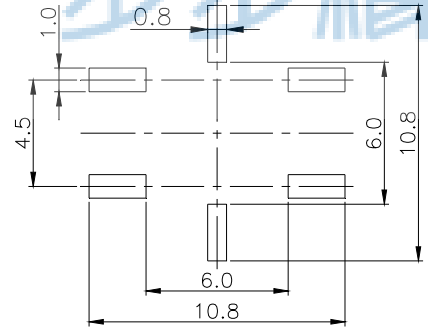
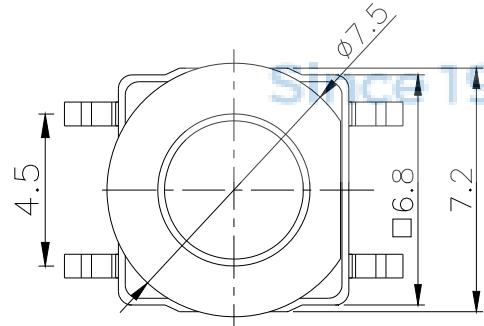


REV.	ECN NO	CONTENT	DATE	ENGINEER
A0		Initial release	/	SGF



P.C.B. Layout



- NOTES:
 1.RATING: 12VDC 50mA
 2.CONTACT RESISTANCE: 100mΩ Max
 3.INSULATION RESISTANCE: 250VDC FOR 1MIN
 4.DIELECTRIC STRENGTH: 250VAC(50/60Hz) FOR 1MIN
 5.LIFE TEST:100,000 CYCLES
 6.OPERATION FORCE&TRAVEL: SEE SPECIFICATION

开关贴膜245度,帽子不能过



7	COVER	ABS
6	COVER	PET
5	TERMINAL	Bronze Silver Plated
4	CONTACT	PBS
3	LED	GaAsP/GaP
2	BUTTON	PA66
1	HOUSING	PA46
ITEM	PART NAME	MATERIAL

LED COLOR									
1	2	3	4	5	6	12	13	14	23
Red	Yellow	Green	Blue	White	Pure Green	Red Yellow	Red Green	Red Blue	Yellow Green



THIS DOCUMENT IS THE SOLE PROPERTY OF BBJconn Technology Co.,Ltd. Corporation AND SHOULD NOT BE USED IN WHOLE OR IN PART WITHOUT PRIOR WRITTEN PERMISSION.

PDWG.NO: 0292-2 DR. SGF

APPD. JM_Zheng

CHKD. LYX

深圳市步步精科技有限公司

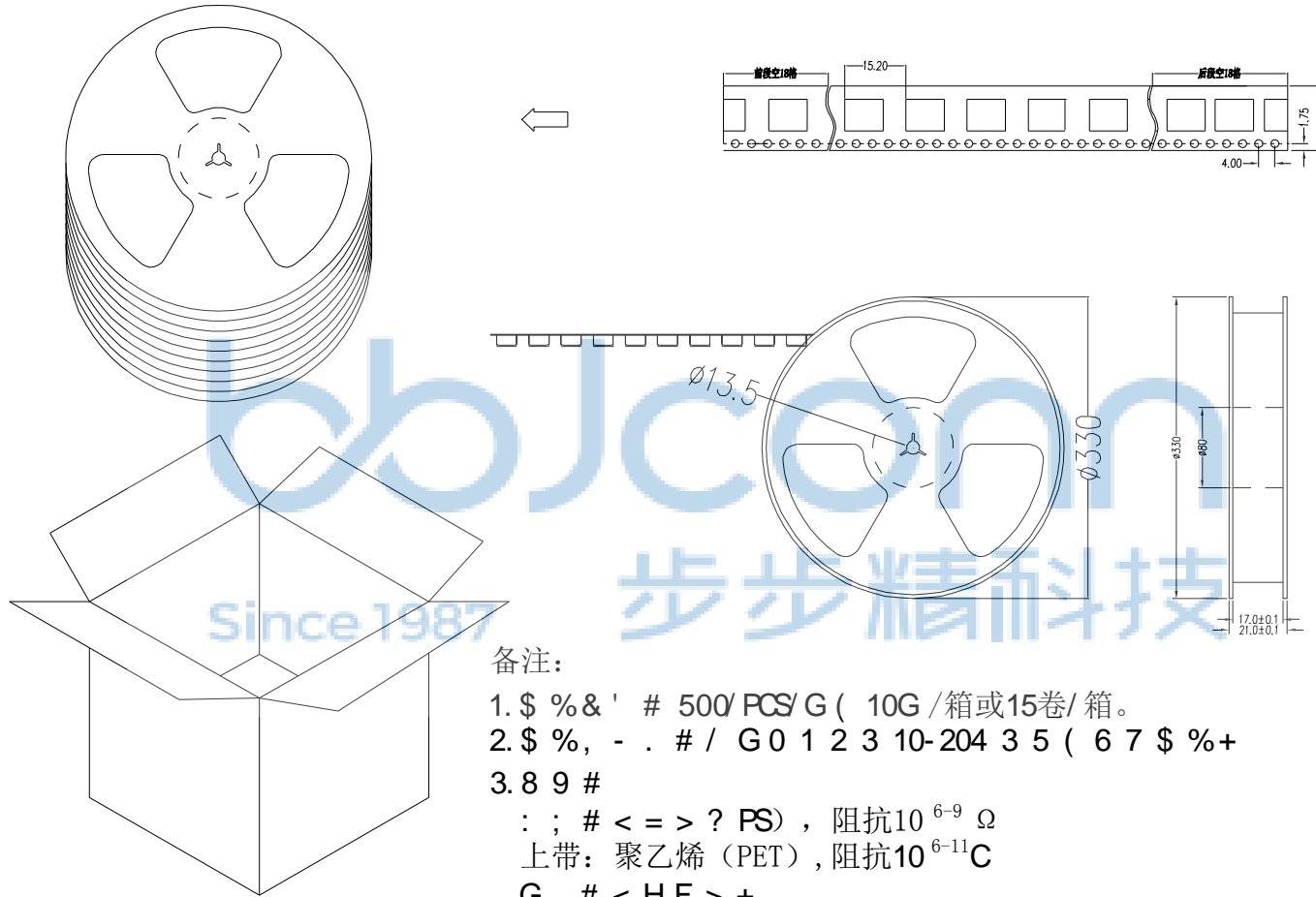
NAME: 轻触开关 6.8X6.8X12.1 六脚贴片 带红蓝双色灯 带帽(黑色) 10.0脚 不锈钢弹片 260G

PJ. NO.: TS.43.73-11-3Y-01

SIZE: A4 DRW NO.:

FINISH: SEE NOTES MAT'L.: SEE NOTES

SCALE: N/A REV.: A0 UNIT: mm PAGE: 1/2



备注:

1. \$ % & ' # 500/ PCS/ G (10G /箱或15卷/ 箱。
2. \$ % , - . # / G 0 1 2 3 10-204 3 5 (6 7 \$ % +
3. 8 9 #
: ; # < = > ? PS) , 阻抗 $10^{6-9} \Omega$
上带: 聚乙烯 (PET) , 阻抗 $10^{6-11} \Omega$
G # < HF > +
I) J 5 # 345*345*23MM
I) J 5 # 345*345*35MM

THIS DOCUMENT IS THE SOLE PROPERTY OF BBJconn Technology Co.,Ltd. Corporation AND SHOULD NOT BE USED IN WHOLE OR IN PART WITHOUT PRIOR WRITTEN PERMISSION.		深圳市步步精科技有限公司	
.X: ±0.38 .XX: ±0.25 .XXX: ±0.13		X': ±3" .X': ±2" .XX': ±1"	
APPD.	JM_Zheng	NAME: 轻触开关 6.8X6.8X12.1 六脚贴片 带红蓝双色灯 带帽(黑色) 10.0脚 不锈钢弹片 260G	
CHKD.	LYX	PJ. NO.: TS.43.73-11-3Y-01	
DR.	SGF	SIZE: A4 DRW NO.:	
PDWG.NO: 0292-2		FINISH: SEE NOTES MAT'L.: SEE NOTES	
		SCALE: N/A REV.: A0 UNIT: mm PAGE: 2/2	