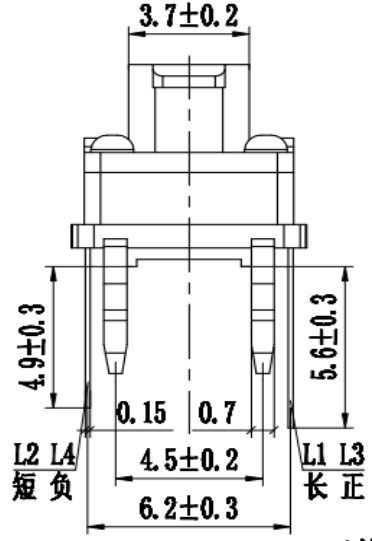
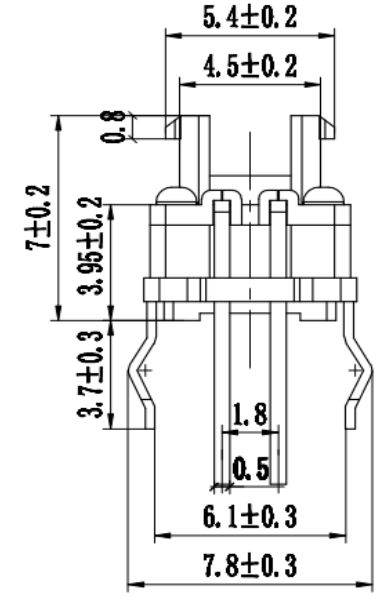
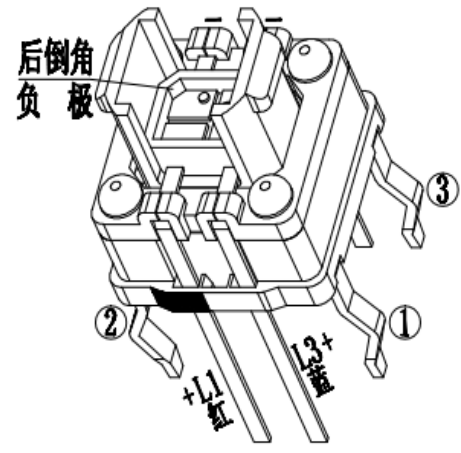


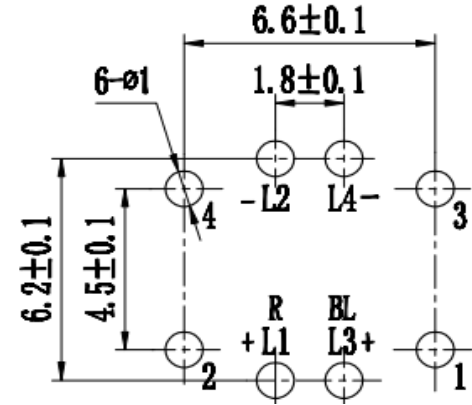
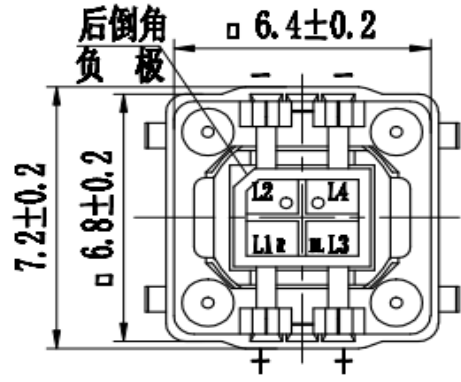
灯色选型表(倒角负)

电原理图

双色引脚代码	灯色代码
L1、L3- L2	代码
红、蓝-倒角负	R/BL
蓝、黄-倒角负	BL/Y
红、白-倒角负	R/W
红、绿-倒角负	R/G
红、冰蓝-倒角负	R/IBL
黄、白-倒角负	Y/W
绿、白-倒角负	G/W
绿、蓝-倒角负	G/BL
....	..



元件面孔位图



带灯轻触主要技术指标: Illuminated Tact Switch Main Specifications:

气候等级 Climate Grade	额定值 Rated Values	接触电阻 Contact Resistance	耐电压 Dielectric Strength	绝缘电阻 Insulation Resistance	动作力 Operating Force	寿命 Life	盐雾试验 Salt mist Test
-25℃ 至 +75℃	30V DC, 30mA	≤0.05Ω	250V AC	≥100MΩ	200gf±50gf	10W times	12±1 hours.
-25℃ 至 +75℃	30V DC, 30mA	≤0.05Ω	250V AC	≥100MΩ	160gf±50gf	10W times	12±1 hours.

THIS DOCUMENT IS THE SOLE PROPERTY OF BBJconn Technology Co., Ltd. CORPORATION AND SHOULD NOT BE USED IN WHOLE OR IN PART WITHOUT PRIOR WRITTEN PERMISSION.
PDWG.NO: 0436-1

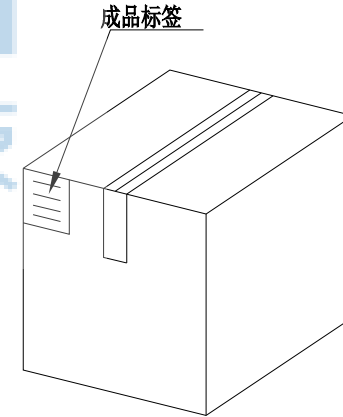
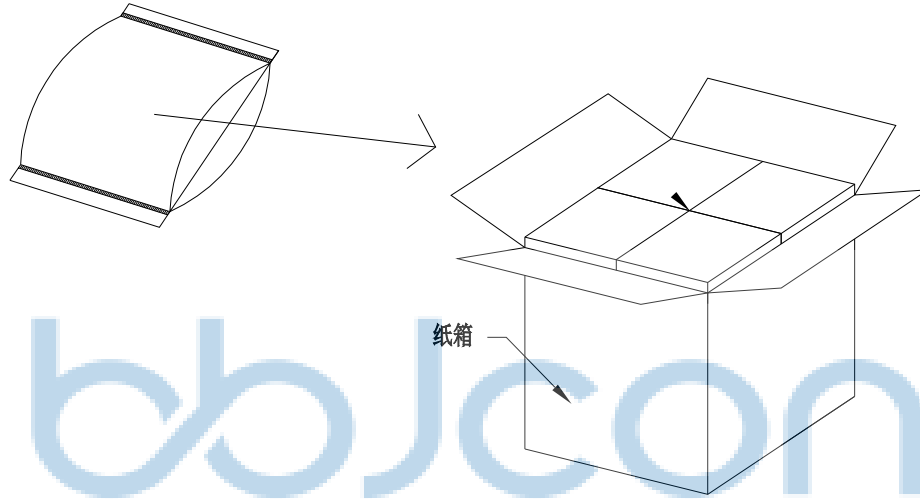
APPD. JM_Zheng
CHKD. LYX
DR. SGF

NAME: 轻触开关 7x7x7 八脚插 红蓝双色灯 不锈钢弹片 260GF 瓷白按钮

PJ. NO.: TS.43.17-21-3Z-01
SIZE: A4 | DRW NO.:
FINISH: SEE NOTES | MAT'L.: SEE NOTES
SCALE: N/A | REV.: A0 | UNIT: mm | PAGE: 1/2

REV.	ECN NO	CONTENT	DATE	ENGINEER
A0		Initial release	/	SGF

PE袋规格:***X*** (以实际出货为准)



1. 包装要求:

- 1.1 每PE袋包装 500 pcs;
- 1.2 每1袋放一小纸盒;
- 1.3 每20个小纸盒放一个纸箱, 共计10000PCS
- 1.4 纸箱外贴上标签



THIS DOCUMENT IS THE SOLE PROPERTY OF BBJconn Technology Co.,Ltd. Corporation AND SHOULD NOT BE USED IN WHOLE OR IN PART WITHOUT PRIOR WRITTEN PERMISSION.		深圳市步步精科技有限公司 .X: ±0.38 .X': ±3" .XX: ±0.25 .X'': ±2" .XXX: ±0.13 .XX': ±1"		NAME: 轻触开关 7x7x7 八脚插 红蓝双色灯 不锈钢弹片 260GF 瓷白按钮 PJ. NO.: TS.43.17-21-3Z-01 SIZE: A4 DRW NO.: FINISH: SEE NOTES MAT'L.: SEE NOTES SCALE: N/A REV.: A0 UNIT: mm PAGE: 2/2	
PDWG.NO: 0436-1	DR.	SGF	APPD.	JM_Zheng	
			CHKD.	LYX	