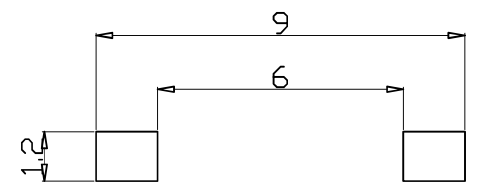
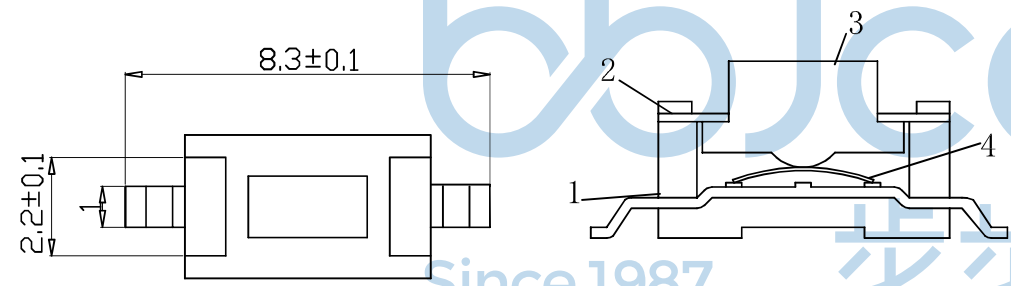
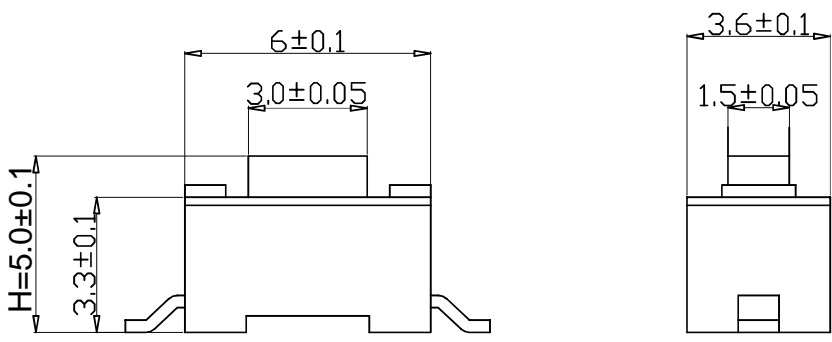


REV.	ECN NO.	CONTENT	DATE	ENGINEER
A0		Initial release	/	TSP

Specification of KFC Flip Switch

1. Contact; Mechanical Contact
2. Rating; Dc12v50mA
3. Travel; 0.2+0.1M/M
4. Operating Force; 160/260±30gf
5. Contact Resistance; 30mΩ Max
6. Life; 50000 Cycles Mim



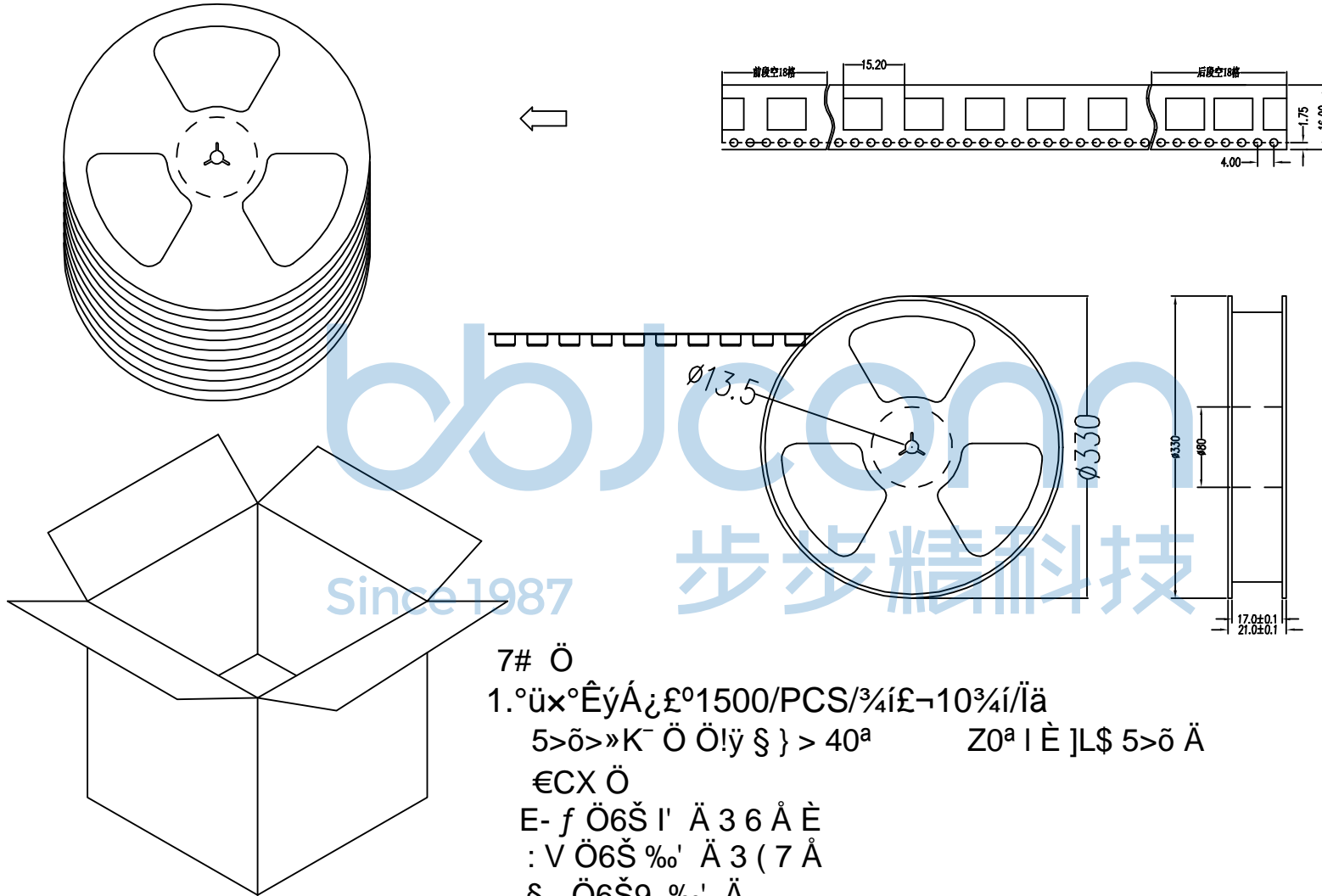
RECOMMENDED PCB LAYOUT



4	弹片	1	0.04mm不锈钢复合银	银色
3	按子	1	PPA	黑色
2	盖板	1	铁皮	镀银
1	底座	1	0.3mm黄铜与PPA	黑色 镀银
序号	名称	数量	材料	镀涂/颜色

THIS DOCUMENT IS THE SOLE PROPERTY OF BBJconn Technology Co.,Ltd. Corporation AND SHOULD NOT BE USED IN WHOLE OR IN PART WITHOUT PRIOR WRITTEN PERMISSION.		<b>深圳市步步精科技有限公司</b>	
.X: ±0.38 .XX: ±0.25 .XXX: ±0.13		X': ±3' .X': ±2' .XX': ±1'	
NAME: 轻触开关 3x6x5 两脚贴片 脚距8.3 不锈钢弹片 260GF 黑柄		PJ. NO.: TS.10.13-11-38-01	
APPD. JM_Zheng	SIZE: A4	DRW NO.:	
CHKD. LYX	FINISH: SEE NOTES		MAT'L.: SEE NOTES
PDWG.NO: 0278-1	DR. TSP	SCALE: N/A	REV.: A0 UNIT: mm PAGE: 1/2

REV.	ECN NO	CONTENT	DATE	ENGINEER
A0		Initial release	/	TSP



7# 0  
 1. 1500/PCS/10  
 5>0>»K- 0 0!y § } > 40<sup>a</sup>      Z0<sup>a</sup> | È ]L\$ 5>0 Ä  
 €CX 0  
 E- f 06Š ' Ä 3 6 Å È  
 : V 06Š %' Ä 3 ( 7 Å  
 §- 06Š9 %' Ä  
 4è1á?ô | 0      00  
 4è1á?ô | 0      00

THIS DOCUMENT IS THE SOLE PROPERTY OF BBJconn Technology Co.,Ltd. Corporation AND SHOULD NOT BE USED IN WHOLE OR IN PART WITHOUT PRIOR WRITTEN PERMISSION.		深圳市步步精科技有限公司 NAME: 3x6x5 1/2 260GF 黑柄 不锈钢弹片 260GF 黑柄	
APPD.	JM_Zheng	PJ. NO.: TS.10.13-11-38-01 SIZE: A4   DRW NO.:	
CHKD.	LYX		
PDWG.NO:	0278-1	DR.	TSP
		FINISH: SEE NOTES	MAT'L.: SEE NOTES
		SCALE: N/A	REV.: A0   UNIT: mm   PAGE: 2/2