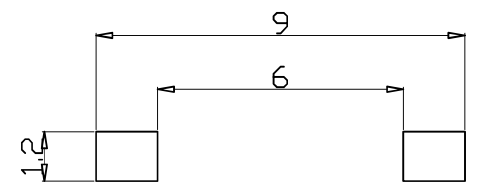
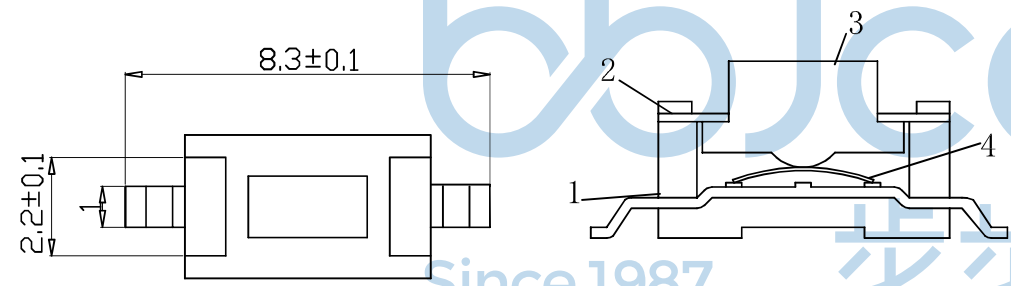
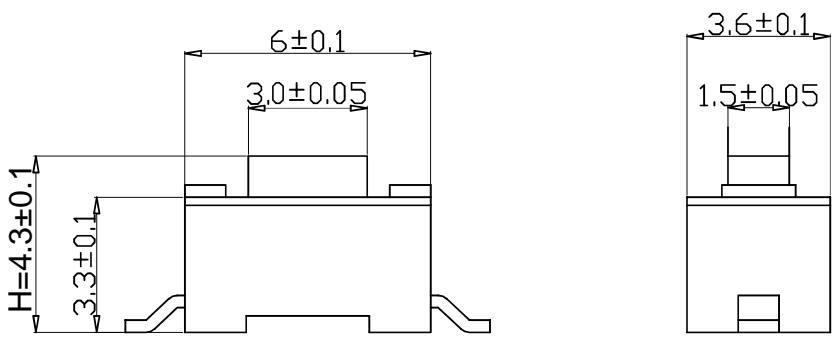


REV.	ECN NO.	CONTENT	DATE	ENGINEER
A0		Initial release	/	TSP

Specification of KFC Flip Switch

1. Contact; Mechanical Contact
2. Rating; Dc12v50mA
3. Travel; 0.2+0.1M/M
4. Operating Force; 160/260±30gf
5. Contact Resistance; 30mΩ Max
6. Life; 50000 Cycles Mim



RECOMMENDED PCB LAYOUT



4	弹片	1	0.04mm不锈钢复合银	银色
3	按子	1	PPA	白色
2	盖板	1	铁皮	镀银
1	底座	1	0.3mm黄铜与PPA	白色 镀银
序号	名称	数量	材料	镀涂/颜色

THIS DOCUMENT IS THE SOLE PROPERTY OF BBJconn Technology Co.,Ltd. Corporation AND SHOULD NOT BE USED IN WHOLE OR IN PART WITHOUT PRIOR WRITTEN PERMISSION.

深圳市步步精科技有限公司

NAME: 轻触开关 3x6x4.3 两脚贴片 脚距8.3 不锈钢弹片 260G 全白 定制款

APPD. JM_Zheng

CHKD. LYX

DR. TSP

PJ. NO.: TS.10.10-11-68-01

SIZE: A4 DRW NO.:

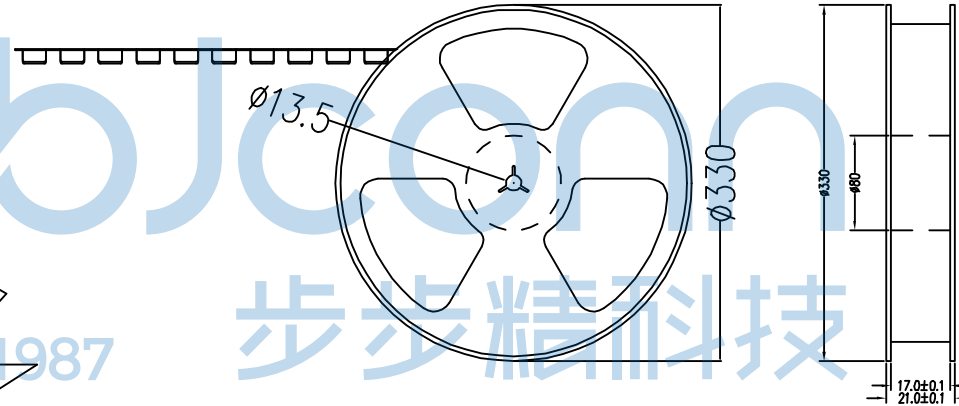
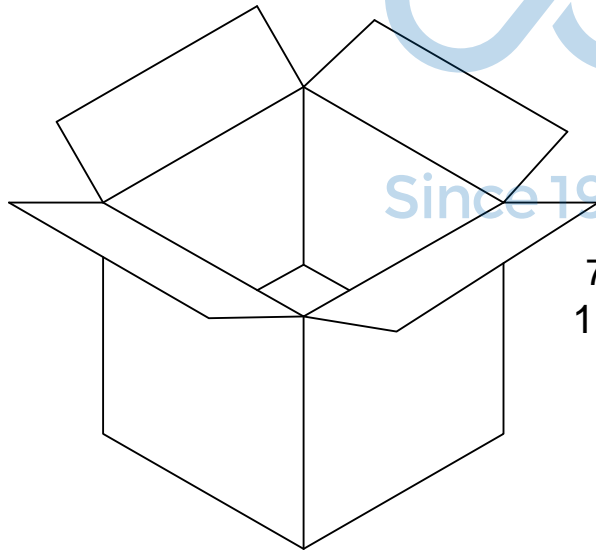
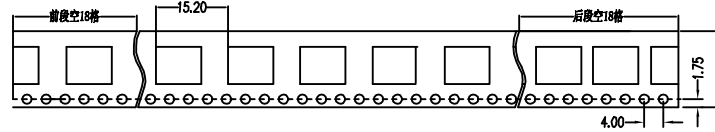
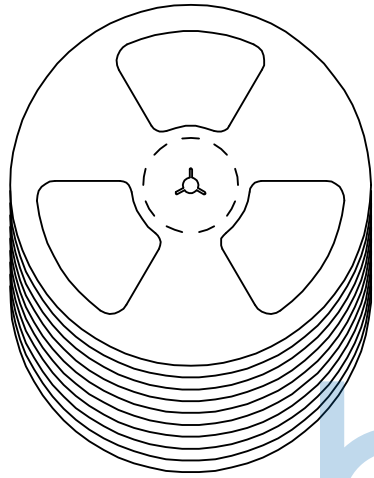
FINISH: SEE NOTES MAT'L.: SEE NOTES

SCALE: N/A REV.: A0 UNIT: mm PAGE: 1/2

.X: ±0.38 .X': ±3'
.XX: ±0.25 .X'': ±2'
.XXX: ±0.13 .X''': ±1'

PDWG.NO: 0278-1

REV.	ECN NO	CONTENT	DATE	ENGINEER
A0		Initial release	/	TSP



7# Ö
 1.°üx°ÊýÁ¿£°1500/PCS/¾í£-10¾í/ïä
 5>õ>»K- Ö Ö!y § } > 40ª Z0ª | È]L\$ 5>õ Ä
 €CX Ö
 E- f Ö6Š ' Ä 3 6 Å È
 : V Ö6Š %' Ä 3 (7 Å
 §- Ö6Š9 %' Ä

4è1á?ô | Ö 00
 4è1á?ô | Ö 00

THIS DOCUMENT IS THE SOLE PROPERTY OF BBJconn Technology Co.,Ltd. Corporation AND SHOULD NOT BE USED IN WHOLE OR IN PART WITHOUT PRIOR WRITTEN PERMISSION.		\$! c 2!•!•2î0 ° 9L€ œ (
.X: ±0.38 X': ±3' .XX: ±0.25 .X': ±2' .XXX: ±0.13 .XX': ±1'		NAME: 轻触开关 3x6x4.3 两脚贴片 脚距8.3 不锈钢弹片 260G 全白 定制款	
APPD.	JM_Zheng	PJ. NO.: TS.10.10-11-68-01	
CHKD.	LYX	SIZE: A4 DRW NO.:	
PDWG.NO:	0278-1	DR.	TSP
		FINISH:	SEE NOTES
		MAT'L.:	SEE NOTES
		SCALE:	N/A
		REV.:	A0
		UNIT:	mm
		PAGE:	2/2