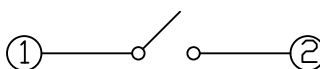
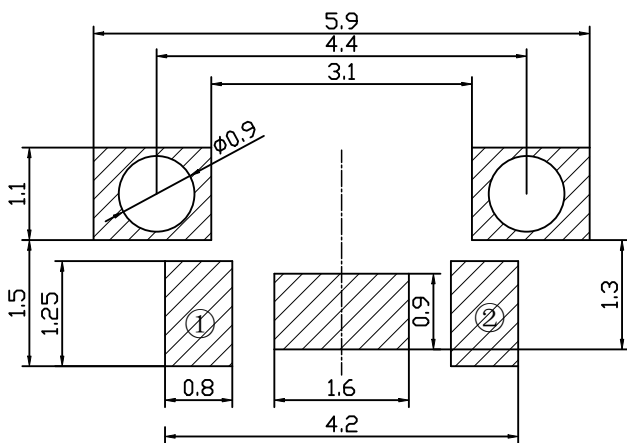
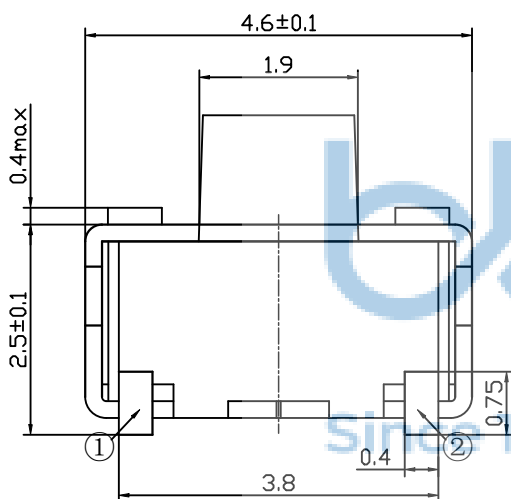
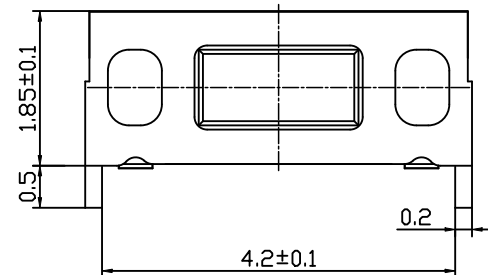
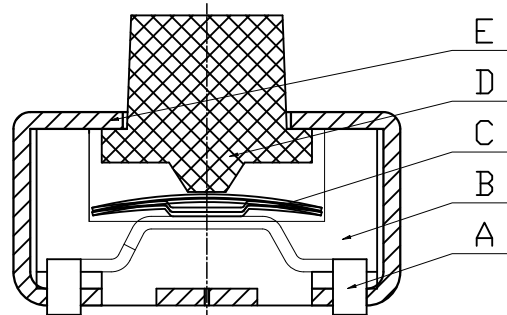


REV.	ECN NO	CONTENT	DATE	ENGINEER
A0				

技术要求:

1. 零部件表面光洁无划伤, 水花, 变形, 影响外观及性能等缺陷。
2. 额定电流: 50mA. 12V DC, 绝缘电阻100MΩ min, 100V DC, 介电强度250V AC for 1min, 接触电阻 200mΩ max。
3. 开关手感明显, 档位清晰可靠, 无卡滞现象, 消除外力后, 应能快速回位。



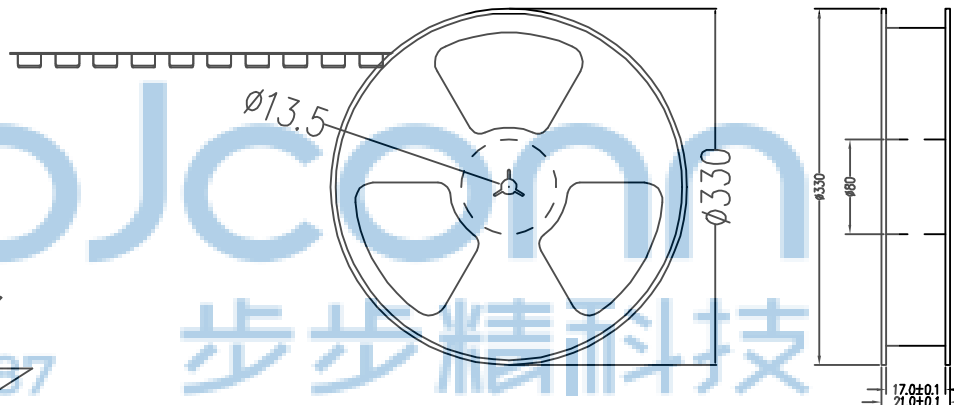
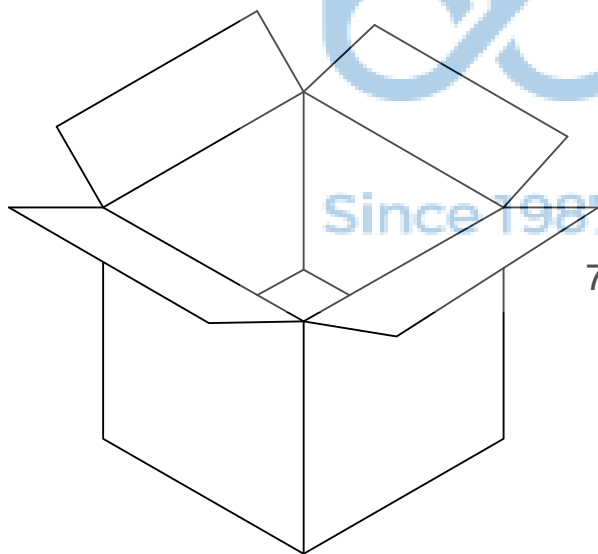
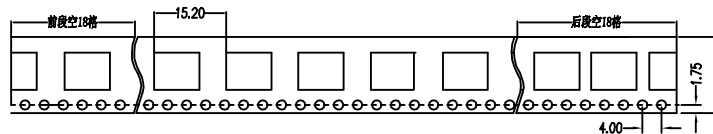
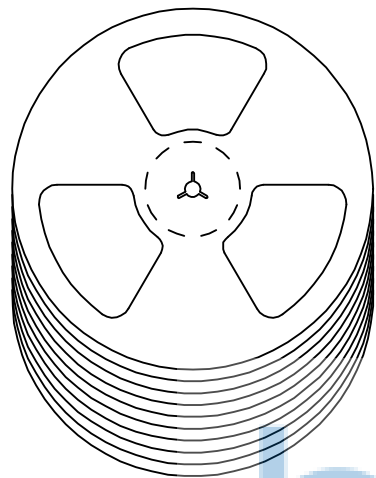
原理图

安装参考图



序号	名称	材料	数量	备注
E	盖板	磷铜0.2	1	镀银
D	按钮	LCP 黑	1	
C	簧片	进口不锈钢覆银	2	外购
B	底座	LCP (白)	1	
A	卡件	磷铜0.15	1	镀银

THIS DOCUMENT IS THE SOLE PROPERTY OF BBJconn Technology Co.,Ltd. Corporation AND SHOULD NOT BE USED IN WHOLE OR IN PART WITHOUT PRIOR WRITTEN PERMISSION. PDWG:NO: 0278-1		深圳市步步精科技有限公司 .X: ±0.38 .X': ±3" .XX: ±0.25 .X": ±2" .XXX: ±0.13 .XX': ±1"	
APPD.	JM_Zheng	NAME:	轻触开关 2x4x3.5 侧按支架 无柱 不锈钢双弹片 260gf 黑柄
CHKD.	LYX	PJ. NO.:	TS.06.58-51-38-03
DR.	TSP	SIZE:	A4 DRW NO.:
		FINISH:	SEE NOTES
		MAT'L.:	SEE NOTES
		SCALE:	N/A
		REV.:	AO
		UNIT:	mm
		PAGE:	1/2



7# Ö

5>ö Gy Ö 3 & 6 § È § 1á Ä
5>ö>»K- Ö Ö!y § } > 40^a Z0^a | È]L\$ 5>ö Ä

€CX Ö

E- f Ö6Š ' Ä 3 6 Å ÈLk Ç

: V Ö6Š %' Ä 3 (7 Å Lk Ç

§- Ö6Š9 %' Ä

4è1á?ô | Ö 00

4è1á?ô | Ö 00

THIS DOCUMENT IS THE SOLE PROPERTY OF BBJconn Technology Co.,Ltd. Corporation AND SHOULD NOT BE USED IN WHOLE OR IN PART WITHOUT PRIOR WRITTEN PERMISSION.		深圳市步步精科技有限公司 .X: ±0.38 .X': ±3" .XX: ±0.25 .X": ±2" .XXX: ±0.13 .XX": ±1"	
PDWG:NO: 0278-1		DR. TSP	NAME: 轻触开关 2x4x3.5 侧按支架 无柱 2»Đâ, ÖË«µ'Æ- 260gf °U±ú APPD. JM_Zheng CHKD. LYX PJ. NO.: TS.06.58-51-38-03 SIZE: A4 DRW NO.: FINISH: SEE NOTES MAT'L.: SEE NOTES SCALE: N/A REV.: AO UNIT: mm PAGE: 2/2